

COLOR LEGEND	
P135	"CORIAN GRAY" SW 47017

KEYNOTE LEGEND	
3.20	4" PRECAST CONCRETE CAP
4.04	CONTROL JOINT, TYP. REF STRUCTURAL
4.09	SMOOTH FACE CMU
5.02	PAINTED 6" PIPE BOLLARD
5.27	METAL CANOPY DECK
5.70	METAL GUTTER, PREFINISHED, UNLESS NOTED OTHERWISE
7.09	METAL DOWNSPOUT, PREFINISHED, UNLESS NOTED OTHERWISE

WALMART
Neighborhood Market

APOPKA, FL
STORE NO.: 6894-00
9971616006 | PHOTO

JOB NUMBER: 41.2

ISSUE BLOCK
1 REV 1 01/25/17

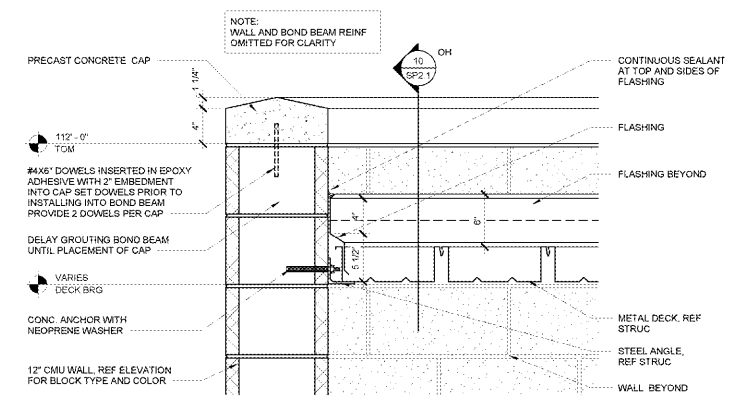
CHECKED BY:	MMA
DRAWN BY:	MMA
FILE NAME:	41_2-SP2.1
PROTO CYCLE:	102816
DOCUMENT DATE:	01/26/17

CHECKED BY:	MMA
DRAWN BY:	MMA
FILE NAME:	41_2-SP2.1
PROTO CYCLE:	102816
DOCUMENT DATE:	01/26/17

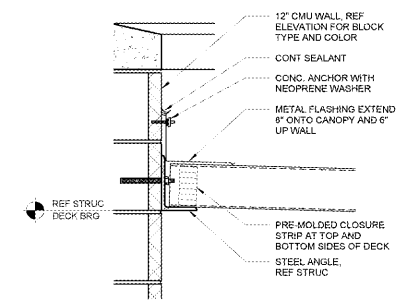
**BID SET
NOT FOR
CONSTRUCTION**

**RECYCLING
ENCLOSURE**

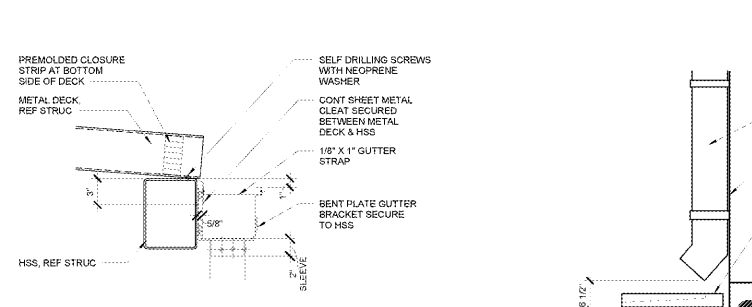
SHEET: **SP.2.1**



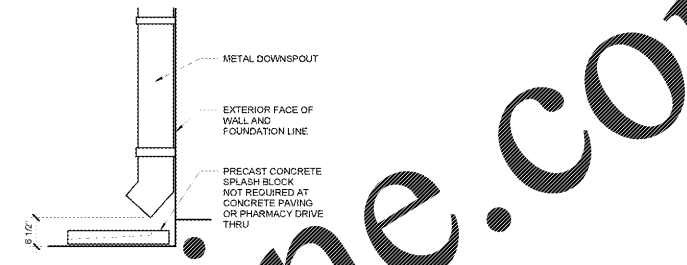
11 SECTION AT CANOPY
1/16" = 1'-0"



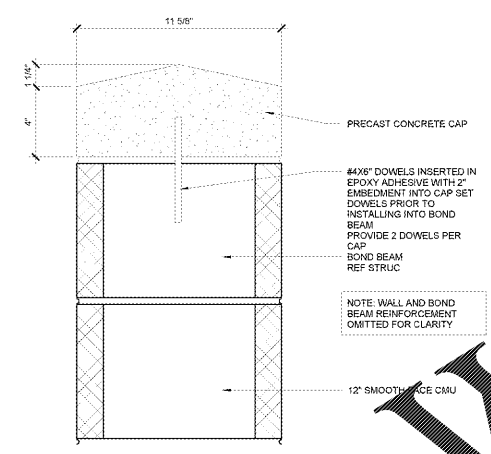
10 CANOPY SECTION
1/16" = 1'-0"



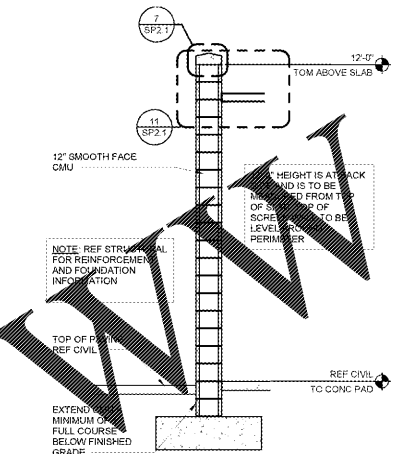
9 GUTTER AND BRACKET
1/16" = 1'-0"



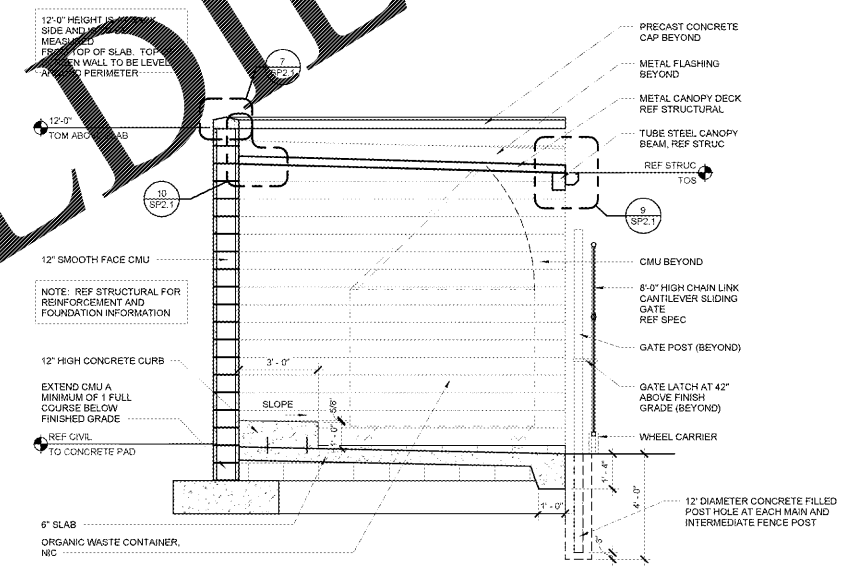
8 DOWNSPOUT SPLASH
1/16" = 1'-0"



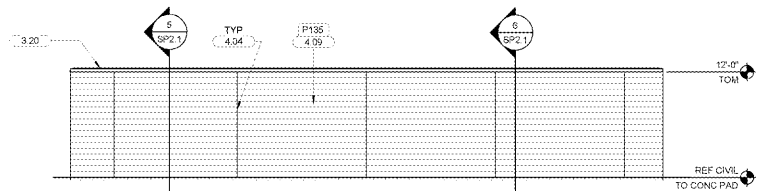
7 SCREEN WALL CAP
3/8" = 1'-0"



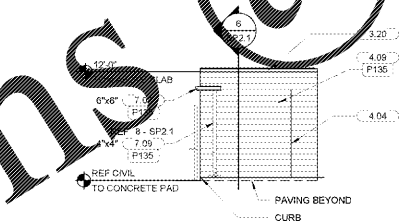
6 BALE AND PALLET RECYCLING AREA SCREEN WALL SECTION
3/8" = 1'-0"



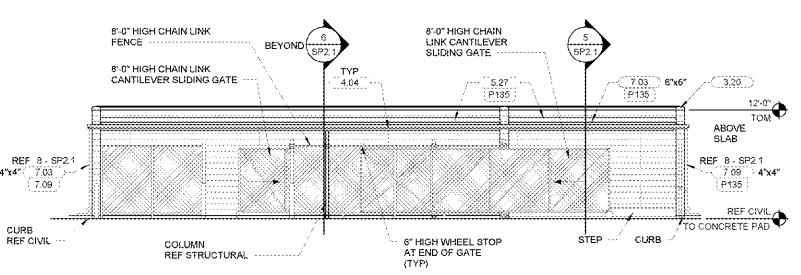
5 ENCLOSURE SECTION
3/8" = 1'-0"



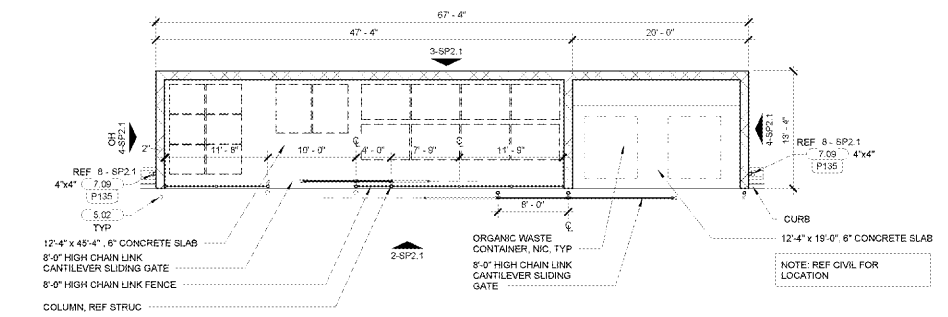
3 REAR ELEVATION
1/8\"/>



4 SIDE ELEVATION
1/8\"/>



2 FRONT ELEVATION
1/8\"/>



1 BALE/PALLET AND ORGANIC WASTE SCREENING PLAN
1/8\"/>

Order Plans @

WWW.LDLINE.COM