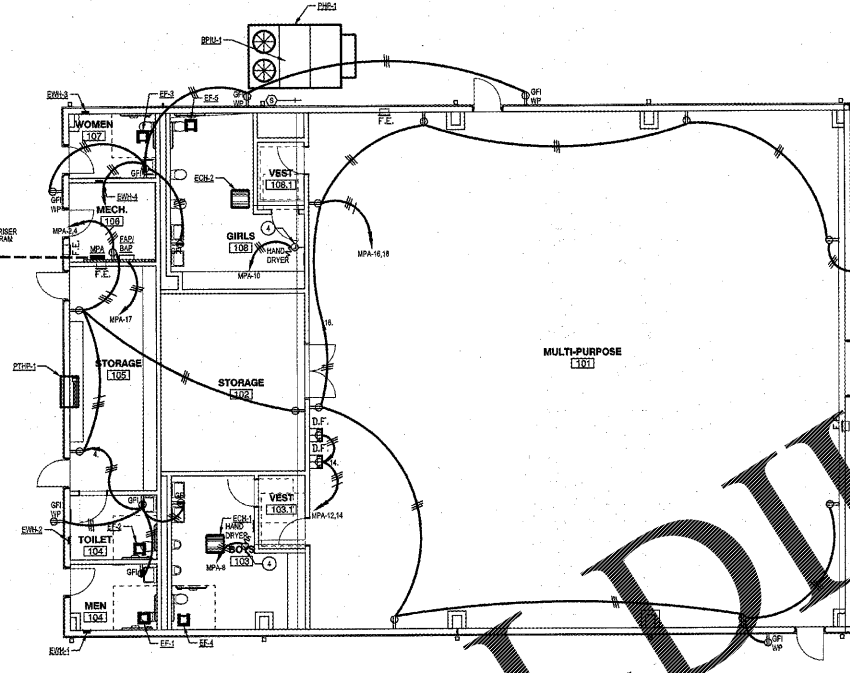


ELECTRICAL LIGHTING FLOOR PLAN
SCALE: 1/8" = 1'-0"



ELECTRICAL POWER FLOOR PLAN
SCALE: 1/8" = 1'-0"

MARK	LAMPS	VOLTAGE	MANUFACTURER & CATALOG NO.	MOUNTING	DESCRIPTION	NOTES
A	LED	120	LITHONIA #RH-1800LM-S0000-MV-VOLT-G210-40K COOPER, HUBBELL, DAYBRITE, COLUMBIA	PENDANT (SEE DETAIL)	PERFORMANCE HIGH BAY LED FIXTURE	1
B	LED	120	LITHONIA #RH-1800LM-S0000-MV-VOLT-G210-40K COOPER, HUBBELL, DAYBRITE, COLUMBIA	WALL BRACKET AT 12' AFF	EXTERIOR LED WALL SCONES	2
C	LED	120	LITHONIA #LM-4R-F412 COOPER, HUBBELL, DAYBRITE, COLUMBIA	SURFACE MOUNTING	1/2" SURFACE MOUNTED LENSED FIXTURE	3
X1	LED	120	LITHONIA #RCH-LED-HD-ME COOPER, HUBBELL, DAYBRITE, COLUMBIA	UNIVERSAL	LED HIGH OUTPUT EXIT UNIT COMBO	

NOTES:
 1. MOUNT FIXTURE PARALLEL TO THE FLOOR AND SUPPORT TO STRUCTURE WITH UNISTRUT SYSTEM. PROVIDE ALIGNER TYPE PENDANT/HANGERS TO ALIGN FIXTURE.
 2. FIXTURE FINISH SHALL BE AS SELECTED BY THE ARCHITECT.
 3. PROVIDE 3400 LUMEN BATTERY PACK (LITHONIA #ELAL IN FIXTURES DENOTED BY "X").

PANEL	MPA	MAIN	SEDA R.E.	A.I.C.	SS-BDD											
VOLTAGE	120/208V-1PH-3W	ENTRY	821701	MOUNTING	SURFACE											
NO	DESIGNATION	CONDUCTOR	CON. DUT	CONN. NO.	PHASE LOAD (KVA)	CON. DUT	CONDUCTOR	DESIGNATION	T	P	N	O	R	I	L	E
1	02	LIGHTS	#12- #12G	1/2"	0.5	01	1.3	02	0.8	1/2"	#12- #12G	CONVENIENCE OUTLETS	20	3		
1	05	LIGHTS	#12- #12G	1/2"	0.7	03	3.1	04	0.6	1/2"	#12- #12G	CP OUTLETS	20	3		
1	05	MULTIPURPOSE AREA LTS	#12- #12G	1/2"	1.7	05	2.7	08	1.0	1/2"	#12- #12G	CP OUTLETS	20	3		
1	20	EMERG. LTS AND EXIT SIGNS	#12- #12G	1/2"	0.2	07	0.8	09	2.0	1/2"	#12- #12G	HAND DRIVER	25	1		
1	20	EXTERIOR LIGHTS	#12- #12G	1/2"	0.5	08	0.5	10	2.0	1/2"	#12- #12G	HAND DRIVER	25	1		
1	20	SPARE	#12- #12G	1/2"	1.1	09	1.1	11	1.0	1/2"	#12- #12G	DRINKING FOUNTAIN	20	1		
1	20	SPARE	#12- #12G	1/2"	1.1	10	1.1	12	1.0	1/2"	#12- #12G	DRINKING FOUNTAIN	20	1		
1	20	SPARE	#12- #12G	1/2"	1.5	11	1.5	13	1.0	1/2"	#12- #12G	CONVENIENCE OUTLETS	20	3		
1	20	SPARE	#12- #12G	1/2"	1.5	12	1.5	14	1.0	1/2"	#12- #12G	CONVENIENCE OUTLETS	20	3		
1	20	FAP/BAP (FIRE ALARM)	#12- #12G	1/2"	3.0	17	3.0	15	1.0	1/2"	#12- #12G	CONVENIENCE OUTLETS	20	3		
1	20	FAP/BAP (FIRE ALARM)	#12- #12G	1/2"	0.4	18	0.4	16	2.0	1/2"	#12- #12G	CONVENIENCE OUTLETS	20	3		
1	20	EM-1 & EM-2	#12- #12G	1/2"	1.0	21	1.0	22	1.0	1/2"	#12- #12G	SPACE	20	1		
1	20	EM-3 & EM-4	#12- #12G	1/2"	1.0	23	1.0	24	1.0	1/2"	#12- #12G	SPACE	20	1		
1	20	EM-5 & EM-6	#12- #12G	1/2"	1.0	25	1.0	26	1.0	1/2"	#12- #12G	SPACE	20	1		
1	20	EM-7	#12- #12G	1/2"	1.0	27	1.0	28	1.0	1/2"	#12- #12G	SPACE	20	1		
1	20	EM-8	#12- #12G	1/2"	1.0	29	1.0	30	1.0	1/2"	#12- #12G	SPACE	20	1		
1	20	EM-9	#12- #12G	1/2"	1.0	31	1.0	32	1.0	1/2"	#12- #12G	SPACE	20	1		
1	20	PTHP-1	#12- #12G	1/2"	1.0	33	1.0	34	1.0	1/2"	#12- #12G	SPACE	20	1		
1	20	PTHP-2	#12- #12G	1/2"	1.0	35	1.0	36	1.0	1/2"	#12- #12G	SPACE	20	1		
1	20	PTHP-3	#12- #12G	1/2"	1.0	37	1.0	38	1.0	1/2"	#12- #12G	SPACE	20	1		
1	20	PTHP-4	#12- #12G	1/2"	1.0	39	1.0	40	1.0	1/2"	#12- #12G	SPACE	20	1		
1	20	PTHP-5	#12- #12G	1/2"	1.0	41	1.0	42	1.0	1/2"	#12- #12G	SPACE	20	1		

1. QUANTITY CIRCUIT BREAKER NEC REQUIREMENTS FOR FIRE ALARM PANELS SHALL BE 20% OVER THE PANEL SHALL BE SERVICE ENTRANCE (S.E.) RATED.

NOTES: (THIS SHEET ONLY)

- PROVIDE LIGHTING CONTROL PHOTOCELL MOUNT PHOTOCELL 12" BELOW THE ROOF OVERHANG AWAY FROM DIRECT INPUT FROM SUN LIGHT AND ANY OTHER LIGHT SOURCE.
- PROVIDE COMMERCIAL GRADE OCCUPANCY SENSOR BY HUBBELL, PRODUCT NO. DMN DT L RP 071 OR EQUAL BY SPECIFIED MANUFACTURER, LONG RANGE TYPE TO CONTROL LIGHTS IN THIS SPACE.
- PROVIDE COMMERCIAL GRADE OCCUPANCY SENSOR BY HUBBELL, PRODUCT NO. DMN DT L RP 071 OR EQUAL BY SPECIFIED MANUFACTURER, LONG RANGE TYPE TO CONTROL LIGHTS IN THIS SPACE.
- COORDINATE EXACT MOUNTING HEIGHT OF HAND DRYER JUNCTION BOX WITH THE ARCHITECTURAL DRAWINGS.
- GENERAL FIRE ALARM SYSTEM DEVICES SHOWN ARE TO BE INSTALLED BY THE OWNER'S SECURITY CONTRACTOR UNDER A SEPARATE CONTRACT. THIS CONTRACTOR SHALL PROVIDE SUBS AND CONDUIT PROVISIONS FOR THESE DEVICES.
- APPROXIMATE LOCATION OF NEW PAD MOUNTED SERVICE TRANSFORMER. COORDINATE EXACT LOCATION WITH THE UTILITY SERVICE PROVIDER. PAY ALL ASSOCIATED COSTS.

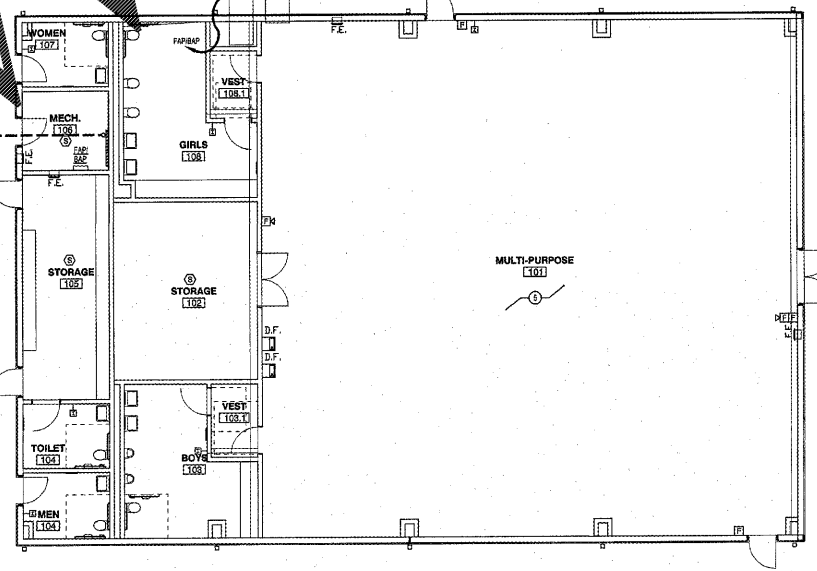
ELECTRICAL LEGEND

LIGHTING FIXTURES - SEE LIGHTING FIXTURE SCHEDULE	
[Symbol]	SURFACE MOUNTED LED
[Symbol]	RECESSED EMERGENCY LIGHTING
[Symbol]	EXIT LIGHT
[Symbol]	WALL BRACKET
[Symbol]	WALL (UPPER) BRACKET
[Symbol]	WALL (LOWER) BRACKET
[Symbol]	WALL (UPPER) BRACKET (OFF-GROUND FAULT PROTECTED)
[Symbol]	JUNCTION BOX
[Symbol]	WALL (UPPER) BRACKET (OFF-GROUND FAULT PROTECTED)
[Symbol]	THREE WAY
[Symbol]	FOUR WAY
[Symbol]	OCCUPANCY SENSOR
PANELS	
[Symbol]	120/208V, 1PH, 3W OR 240V, 1PH, 3W
CIRCUITS	
[Symbol]	TRAYWAY IN CEILING OR WALL
[Symbol]	ONE CIRCUIT/BRANCH PER WIRE 2 WIRES UNLESS SHOWN
[Symbol]	HOMERUN - ONE ARROW PER CIRCUIT
[Symbol]	TRAYWAY UNDER FLOOR OR SLAB
GENERAL EQUIPMENT	
[Symbol]	DISCONNECT SWITCH
COMMUNICATION AND PROTECTION	
[Symbol]	FIRE ALARM PANEL
[Symbol]	FIRE ALARM PULL STATION
[Symbol]	FIRE ALARM NORM - STORED
[Symbol]	SMOKE DETECTOR - WALL, CEILING
[Symbol]	DUCT MOUNTED SMOKE DETECTOR
[Symbol]	INDICATING STRIKE

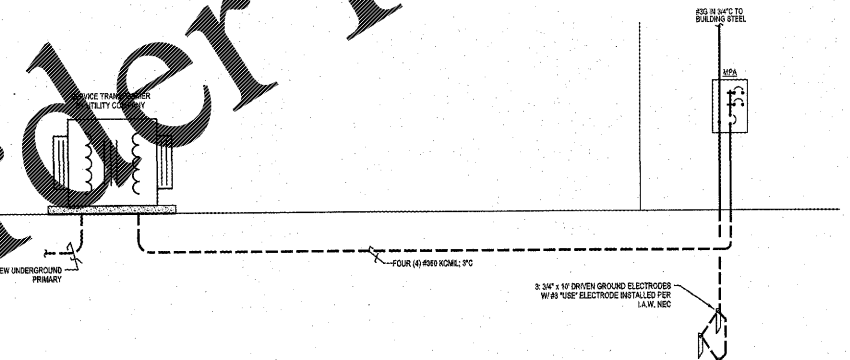
MECHANICAL EQUIPMENT POWER SCHEDULE

MECHANICAL TAG	VOLTAGE REQUIRED	DISCONNECT	CIRCUIT #	NOTES
EF-1	120V / 1PH / 20A	BY MECH. CONTRACTOR	MPA-18	1.2.3
EF-2	120V / 1PH / 20A	BY MECH. CONTRACTOR	MPA-19	1.2.3
EF-3	120V / 1PH / 20A	BY MECH. CONTRACTOR	MPA-18	1.2.3
EF-4	120V / 1PH / 20A	BY MECH. CONTRACTOR	MPA-18	1.2.3
EF-5	120V / 1PH / 20A	BY MECH. CONTRACTOR	MPA-19	1.2.3
LS (COVER)	120V / 1PH / 20A	MOTOR RATED SWITCH	MPA-19	3.5
ECH-1	208V / 1PH / 15A	INTEGRAL DISCONNECT	MPA-28	4
ECH-2	208V / 1PH / 15A	INTEGRAL DISCONNECT	MPA-29	4
EW-1	120V / 1PH / 15A	INTEGRAL DISCONNECT	MPA-21	3.4
EW-2	120V / 1PH / 15A	INTEGRAL DISCONNECT	MPA-21	3.4
EW-3	120V / 1PH / 15A	INTEGRAL DISCONNECT	MPA-22	3.4
EW-4	120V / 1PH / 15A	INTEGRAL DISCONNECT	MPA-23	3.4
PH-1	208V / 3PH / 175A	200A/3P/NEMA 3R	MPA-37	6.8
PTH-1	208V / 1PH / 20A	NEMA 6-20 RECEPTACLE	MPA-33	7.8

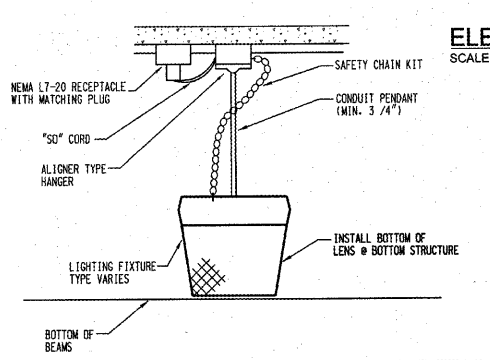
NOTES:
 1. PROVIDE SIMPLE OUTLET ABOVE CEILING IN A PLUMB RATED OUTLET BOX FOR POWER CONNECTION.
 2. EXHAUST FAN COMES WITH A PLUG AND CORD SET FOR POWER CONNECTION.
 3. CIRCUIT SHARED WITH OTHER EQUIPMENT.
 4. WIRE THRU INTERNAL DISCONNECT PROVIDED WITH EQUIPMENT.
 5. INTERLOCK WITH EQUIPMENT NOTED ON THE MECHANICAL DRAWINGS.
 6. COORDINATE EXACT LOCATION FOR DISCONNECT SWITCH MOUNTING ON WALL WITH MECHANICAL.
 7. PROVIDE RECEPTACLE AT 7 FEET AFF AS NOTED. COORDINATE EXACT LOCATION WITH MECHANICAL.
 8. PROVIDE 1/2" CONDUIT FROM THE UNIT'S DUCT MOUNTED SMOKE DETECTOR TO THE FAP/BAP LOCATION. THE DUCT MOUNTED DETECTOR AND CABLING SHALL BE BY THE OWNER'S SECURITY SYSTEM INSTALLER.



ELECTRICAL LOW VOLTAGE FLOOR PLAN
SCALE: 1/8" = 1'-0"



POWER RISER DIAGRAM
SCALE: NONE



PENDANT MOUNTED LIGHT FIXTURE DETAIL
SCALE: NONE

ISSUANCES

DATE	DESCRIPTION
03.23.2017	Bid

KEYPLAN

AH&P CONSULTING ENGINEERS
 ANDREWS, HAMMOCK & POWELL, INC.
 250 Charter Lane
 Suite 100
 MARIETTA, GEORGIA 30066
 MACON (478) 405-8391
 FAX (478) 405-8210
 WWW.AHPENGINEERS.COM

GEORGIA REGISTERED ENGINEER

STATE OF GEORGIA REGISTERED ARCHITECT

Manley Spangler Smith Architects
 A Professional Corporation

825 East Taylor St.
 P.O. Box 880
 Griffin, Georgia 30224
 Office 770.227.5473
 Fax 770.225.3442

PROJECT:
 Whitewater High School
 Multi-purpose Building

CLIENT:
 Fayette County
 Schools

SHEET TITLE:
 ELECTRICAL PLANS,
 SCHEDULES, DETAIL,
 AND LEGEND

FACILITY CODE:
 © 2017 Manley Spangler Smith Architects, PC
 PROJECT NUMBER: 201629
 DATE: 03.23.2017
 SCALE: AS SHOWN
 DRAWN BY: CTS
 CHECKED BY: NHO

SHEET NO.:
 E101

Order Plans