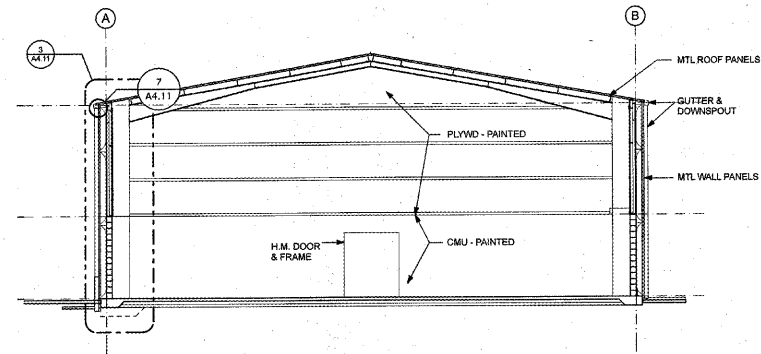
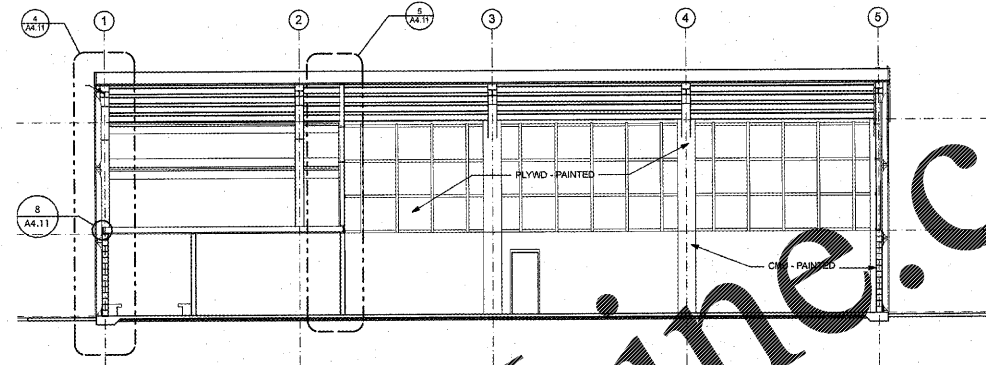


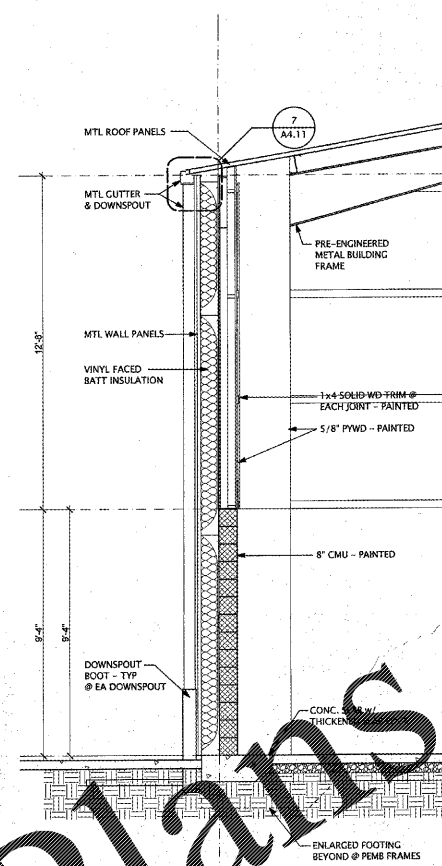
ISSUANCES	
DATE	DESCRIPTION
03.23.2017	Bid



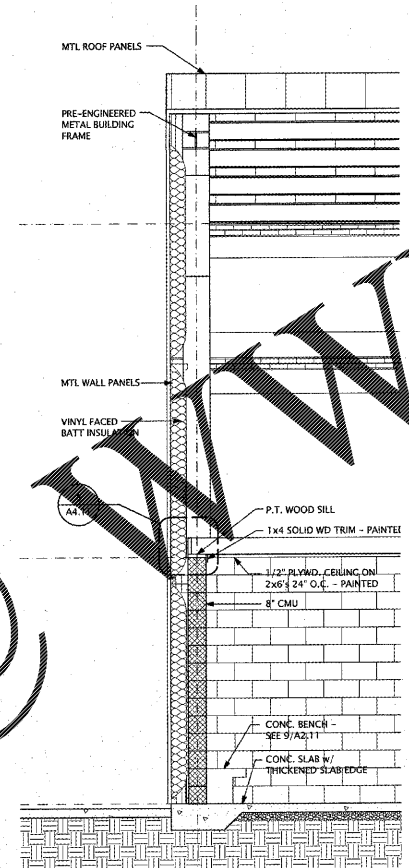
1 BUILDING SECTION
SCALE: 1/8" = 1'-0"



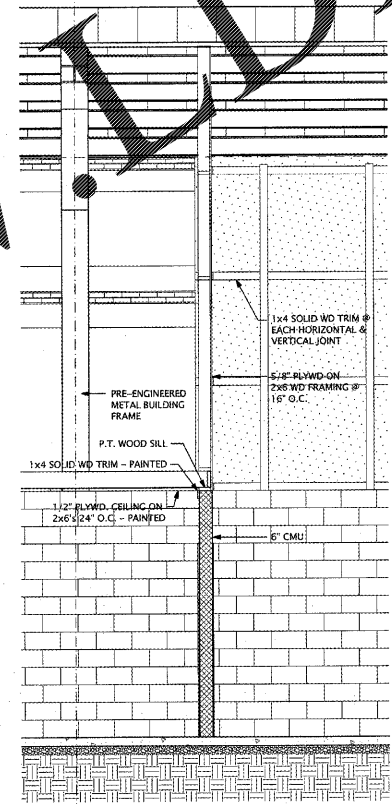
2 BUILDING SECTION
SCALE: 1/8" = 1'-0"



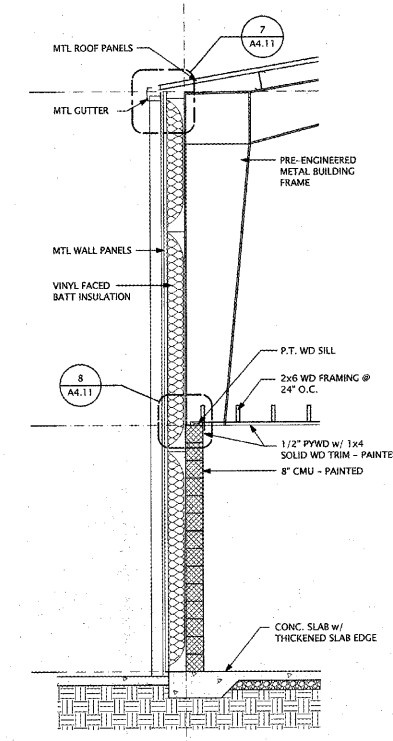
3 WALL SECTION
SCALE: 3/8" = 1'-0"



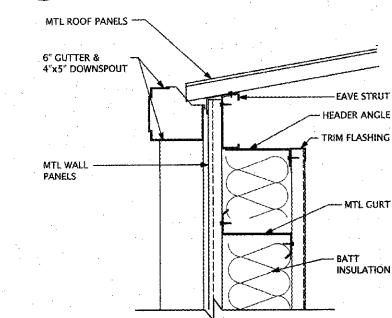
4 WALL SECTION
SCALE: 3/8" = 1'-0"



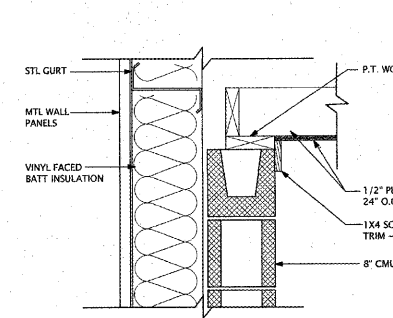
5 WALL SECTION
SCALE: 3/8" = 1'-0"



6 WALL SECTION
SCALE: 3/8" = 1'-0"



7 ROOF EDGE DETAIL
SCALE: 1 1/2" = 1'-0"



8 DETAIL
SCALE: 1 1/2" = 1'-0"



Manley Spangler Smith Architects
A Professional Corporation

525 East Taylor St.
P.O. Box 860
Griffin, Georgia 30224
Office 770.227.5473
Fax 770.228.3442

PROJECT:
Whitewater High School
Multi-purpose Building

CLIENT:
Fayette County
Schools

SHEET TITLE:
BUILDING SECTIONS

© 2017 Manley Spangler Smith Architects, PC
PROJECT NUMBER: 201628
DATE: 03.23.2017
SCALE: AS NOTED
DRAWN BY: MM
CHECKED BY: BRM

SHEET NO.:
A4.11

Order Plans

WWW.DIline.com