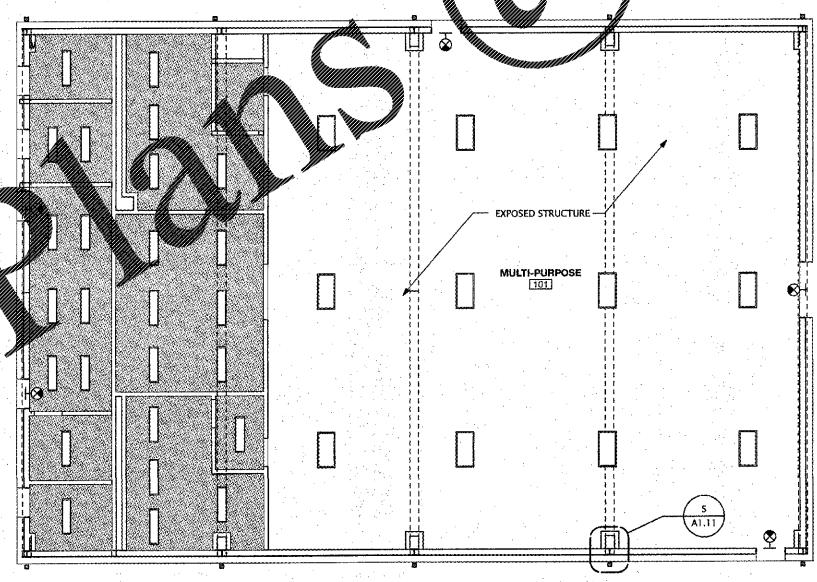


1 FLOOR PLAN - MAIN LEVEL
SCALE: 1/8" = 1'-0"



2 REFLECTED CEILING PLAN
SCALE: 1/8" = 1'-0"

- LEGEND:**
- INDICATES CEILING HEIGHT
 - PLYWOOD CEILING - PAINTED
 - 2x4 FL. LIGHT FIXTURE
 - 1x4 SURFACE MTD. FL. LIGHT FIXTURE
 - EXIT LIGHT

- GENERAL NOTES:**
1. ALL CEILING ELEVATIONS ARE 9'-4" ABOVE FIN. FLR. UNLESS NOTED OTHERWISE.

PARTITION TYPE SCHEDULE

MARK	SYMBOL	ASSEMBLY	NOTES
6		6" CMU HEIGHT - TO BOTTOM OF STRUCTURE AND/OR DECK	
6-1		6" CMU - 1 HOUR HEIGHT - TO BOTTOM OF STRUCTURE AND/OR DECK	PROVIDE SIGNAGE WITH LETTERS A MIN. OF 2" HIGH AT 24" O.C. 1 HOUR FIRE BARRIER PROTECT ALL OPENINGS.

PARTITION TYPE MODIFIERS

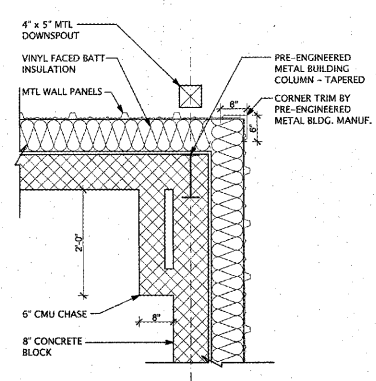
- FILL WALL SOLID W/ GROUT

PLAN LEGEND

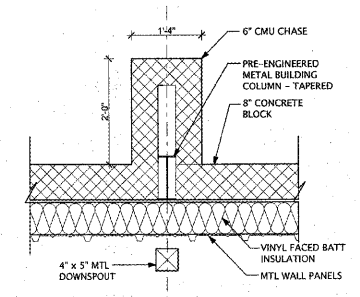
- COLUMN GRID AND/OR WALL CENTER LINES
- FIRE EXTINGUISHER CABINET & FIRE EXTINGUISHER
- DOOR NUMBER
- ELEVATION MARKER

GENERAL NOTES

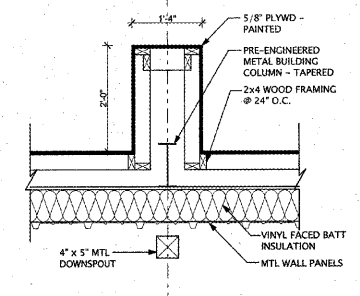
1. ALL INTERIOR WALLS ARE PARTITION TYPE "6" UNLESS INDICATED OTHERWISE.
2. 1 HR RATING FOR CMU IS EST. BY EQUIV. CONC. THICKNESS METHOD. PROVIDE WEB AND SHELL THICKNESS REQUIRED TO ACHIEVE 1 HR RATING. REFER TO IRC TABLE 721.2.1.1, 2008 EDITION.
3. FOR PARTITIONS RATED 1 HOUR OR GREATER, PROVIDE FIRESTOPPING AT ALL PENETRATIONS, TERMINATIONS AND VOIDS. REFER TO SPECIFICATIONS FOR REQUIRED FIRESTOPPING.
4. ALL C.M.U. WALLS ARE TO BE RUNNING BOND UNLESS INDICATED OTHERWISE.
5. ALL EXPOSED VERTICAL CORNERS OF CMU PARTITIONS AND CHASES SHALL BE CONSTRUCTED OF FULL-HEIGHT CMU EXTEND BULLDOGE CMU TO 4" ABOVE CEILING.
6. SEE ULI, FIRE RESISTANCE DIRECTORY, VOLUME 1, LATEST EDITION FOR FURTHER INFORMATION REGARDING REFERENCED UL DESIGNS.
7. WHERE A SECTION OR DETAIL IS SHOWN ON DRAWINGS IT IS ASSUMED TO BE REPRESENTATIVE OF ALL LIKE OR SIMILAR CONDITIONS.



3 PLAN DETAIL
SCALE: 3/4" = 1'-0"



4 PLAN DETAIL
SCALE: 3/4" = 1'-0"



5 PLAN DETAIL
SCALE: 3/4" = 1'-0"

ISSUANCES

DATE	DESCRIPTION
03.23.2017	01



Manley Spangler Smith Architects
A Professional Corporation

628 East Taylor St.
P.O. Box 880
Griffin, Georgia 30224
Office 770.327.5473
Fax 770.228.3442

PROJECT:
Whitewater High School
Multi-purpose Building

CLIENT:
Fayette County
Schools

SHEET TITLE:
FLOOR PLAN,
MEZZANINE PLAN,
REFLECTIVE CEILING
PLAN

© 2017 Manley Spangler Smith Architects, PC
PROJECT NUMBER: 201629
DATE: 03.23.2017
SCALE: AS NOTED
DRAWN BY: MH
CHECKED BY: BFM

SHEET NO.:
A1.11

Order Plans @

WWW.LDLine.com