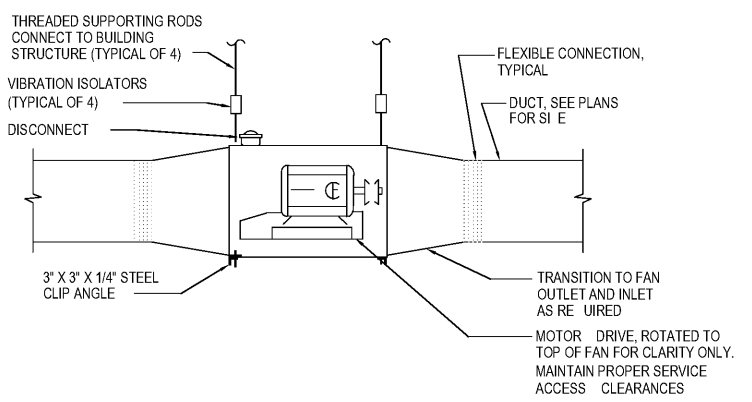
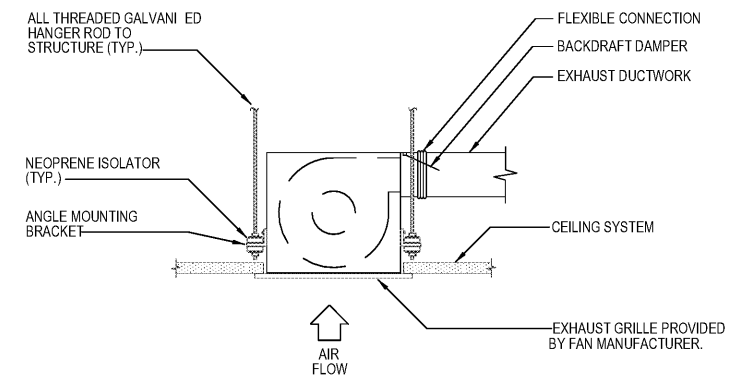


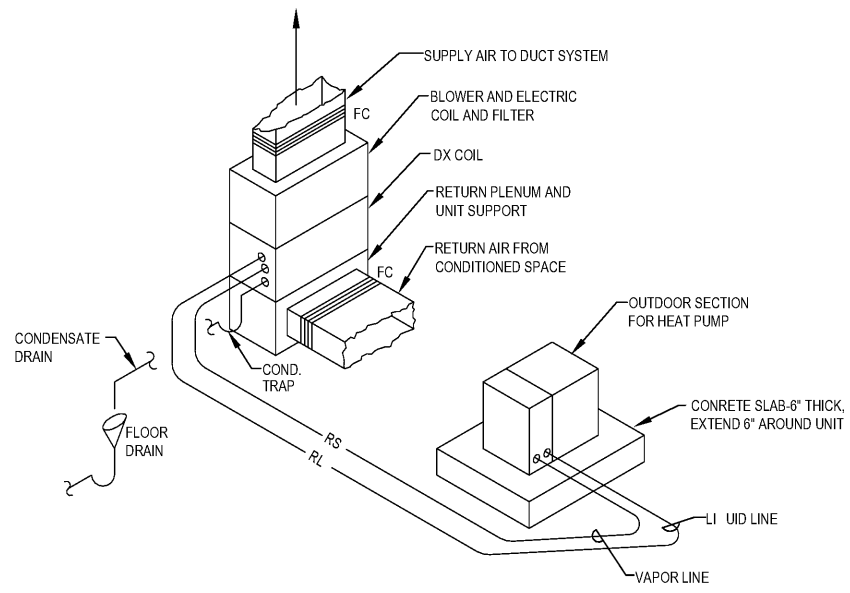
NOTES:
 1. SEE SHEET M-0.01 FOR MECHANICAL PLUMBING NOTES, LEGEND AND ABBREVIATIONS.



1 TYPICAL DIRECT INLINE FAN
 SCALE: NONE

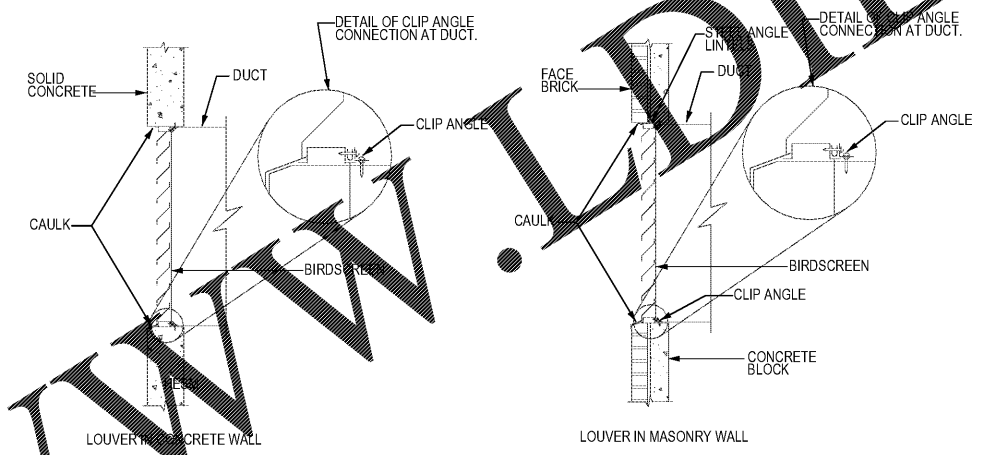


2 CEILING MOUNTED EXHAUST FAN DETAIL
 SCALE: NONE



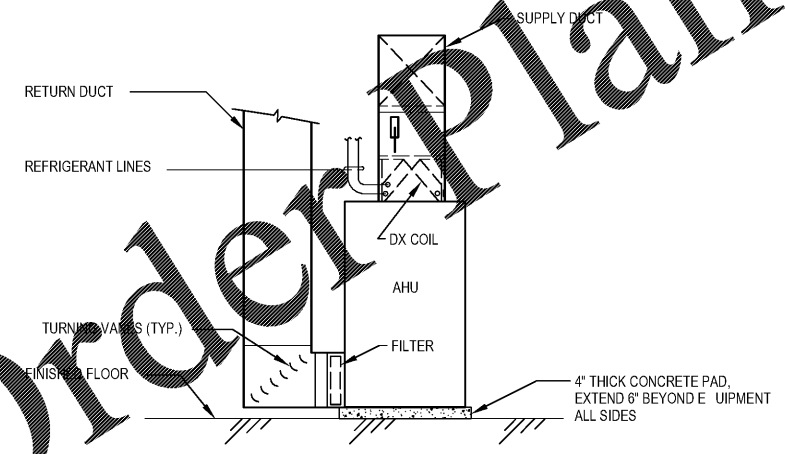
NOTE:
 1. SEE SHEET M-1.01 FOR OUTDOOR AIR DUCT CONNECTIONS

3 SPLIT SYSTEM HEAT PUMP DETAIL
 SCALE: NONE



INSTALLATION NOTES:
 1. OVERALL SIZE OF OPENING SHOULD BE 1/4\"/>

4 LOUVER MOUNTING DETAIL (TYP)
 SCALE: NONE



5 VERTICAL INDOOR SPLIT SYSTEM AIR HANDLER
 SCALE: NONE

Order Plans

@

www.Skyline.com

Skyline
 Engineers, Architects, Planners
 225 Foxboro Street, N.E. International Tower
 Atlanta, Georgia 30316
 404-577-4000 FAX 404-577-7119

SKYLINE
 ENGINEERING & CONSTRUCTION
 P-888.706.0661 F-770.217.7530 www.skyline-ec.com

REVISION	DATE	BY

PRELIMINARY
 PRELIMINARY
 PRELIMINARY

City of
Dunwoody
 PROJECT
 BASEBALL FACILITIES AT
 BROOK RUN PARK

DESIGNED	DRAWN	CHECKED	DATE	SCALE
DF	DUB	WBH		AS SHOWN
PROJECT NO.	C-1610-10			
DRAWING TITLE	HVAC DETAILS			

DRAWING NO.
M-5.01
 SHEET OF

RAC #: 1700200