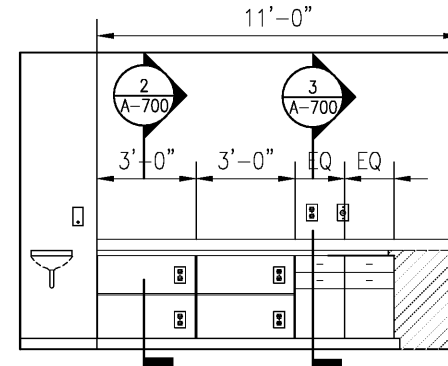
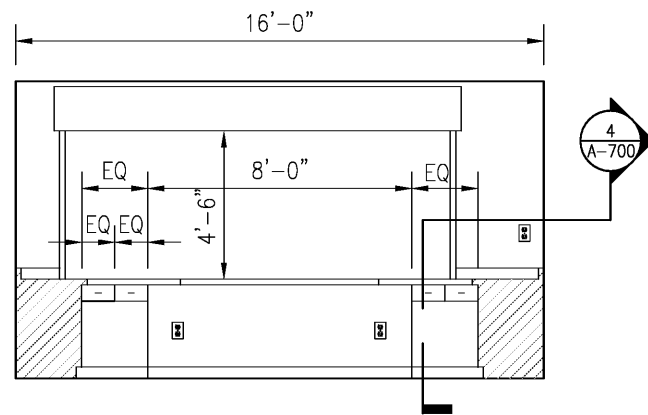


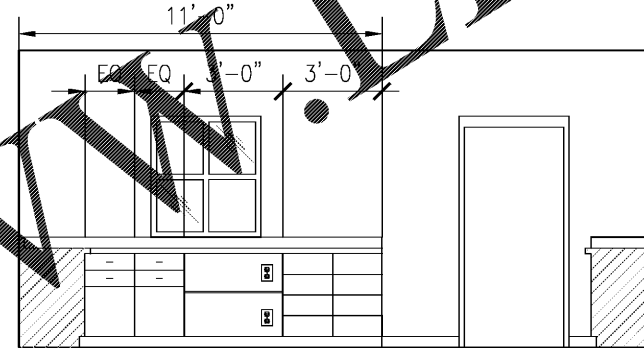
1 CONCESSIONS MILLWORK ELEVATION
A-402 SCALE: 3/8" 1'-0"



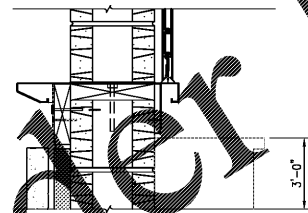
2 CONCESSIONS MILLWORK ELEVATION
A-402 SCALE: 3/8" 1'-0"



3 CONCESSIONS MILLWORK ELEVATION
A-402 SCALE: 3/8" 1'-0"



4 CONCESSIONS MILLWORK ELEVATION
A-402 SCALE: 3/8" 1'-0"



5 SERVICE COUNTER DETAIL
A-602 SCALE: 1 1/2" 1'-0"

Robert and Company
Engineers, Architects, Planners
225 Postville Street, N.E. International Tower
404 577-4000 FAX 404 577-7119

SKYLINE
ENGINEERING & CONSTRUCTION
P-888.706.0061 F-770.217.7530 www.sky-inc-ec.com

SYMBOL	DATE	BY	REVISION

PRELIMINARY
PRELIMINARY
PRELIMINARY

City of
Dunwoody
PROJECT
BASEBALL FACILITIES AT
BROOK RUN PARK

DESIGNED	DRAWN	CHECKED	DATE	SCALE	AS SHOWN
AH	TS	AH			
PROJECT NO. C-1610-10			DRAWING TITLE		
			INTERIOR ELEVATIONS		

DRAWING NO.
A-4.02
SHEET OF

RAC #: 1700200