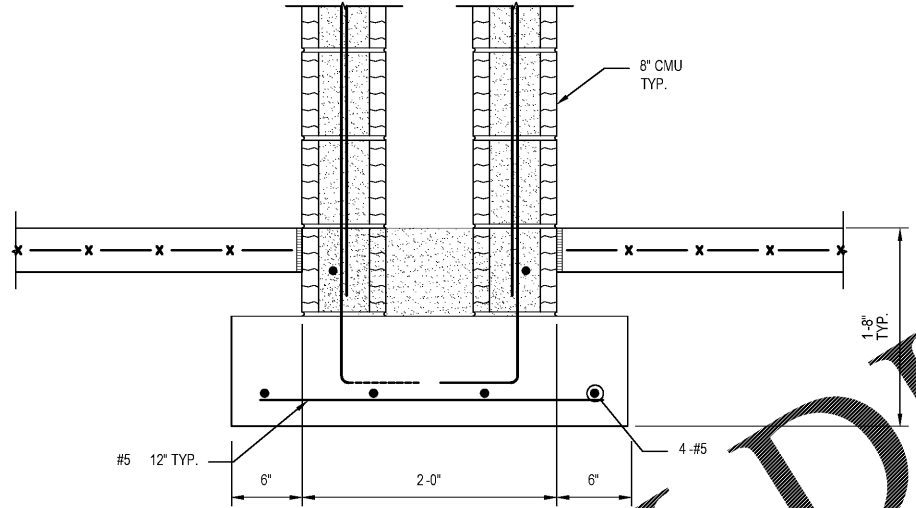
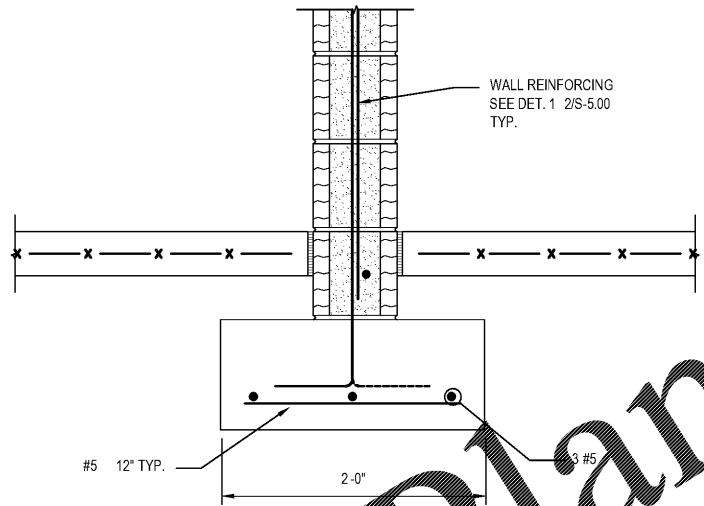


A SECTION
S-3.00 SCALE: 1" = 1'-0"

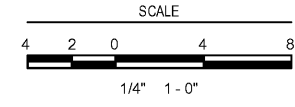


B SECTION
S-3.00 SCALE: 1" = 1'-0"



C SECTION
S-3.00 SCALE: 1" = 1'-0"

- NOTES:
- SEE GENERAL NOTES ON DWG. S-0.01.
 - SEE TYPICAL SECTION AND DETAILS ON DWG. S-5.00



Robert and Company
Engineers, Architects, Planners
225 Foxboro Street, N.E. International Tower
Atlanta, Georgia 30303
404 577-4000 FAX 404 577-7119

SKYLINE
ENGINEERING & CONSTRUCTION
P-888.706.0661 F-770.217.7530 www.skyinc-ec.com

SYMBOL	DATE	BY	REVISION

PRELIMINARY
PRELIMINARY
PRELIMINARY

City of
Dunwoody
PROJECT
BASEBALL FACILITIES AT
BROOK RUN PARK

DESIGNED BY: []
DRAWN BY: []
CHECKED BY: []
DATE: []
PROJECT NO: C-1610-10
SCALE: AS SHOWN
DRAWING TITLE: FOUNDATION SECTIONS

DRAWING NO.
S-3.00
SHEET OF

RAC #: 1700200

Order Plans @ www.LDILine.com