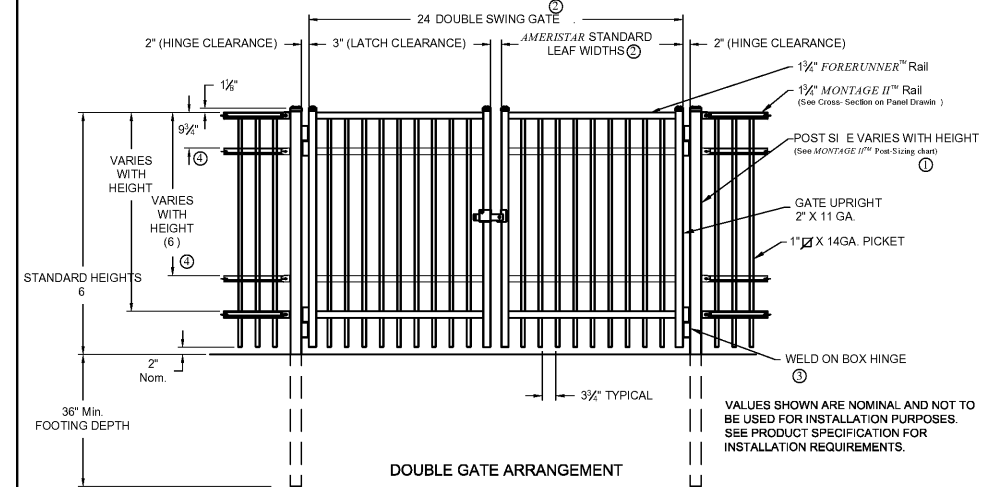


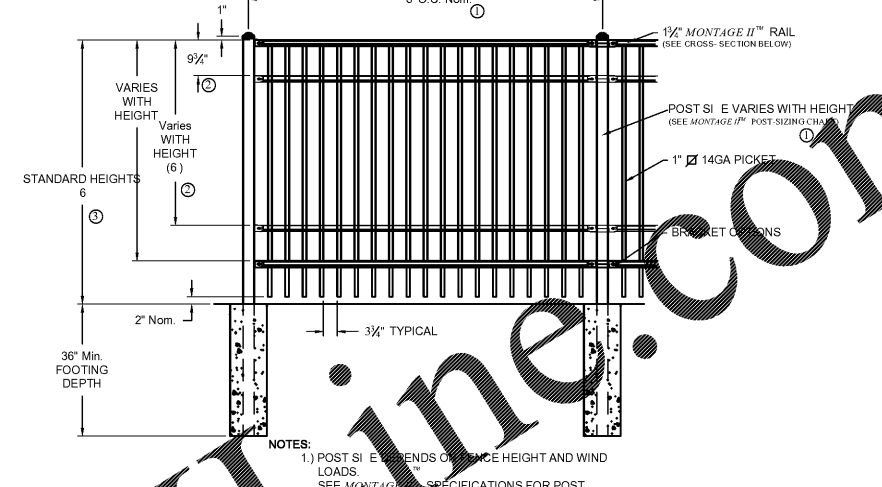
- NOTES:**
- 1) POST SI E DEPENDS ON FENCE HEIGHT, WEIGHT AND WIND LOADS. SEE MONTAGE II™ SPECIFICATIONS FOR POST SIZING CHART.
 - 2) SEE AMERISTAR GATE TABLE FOR STANDARD OUT TO OUTS. CUSTOM GATE OPENINGS AVAILABLE FOR SPECIAL OUT TO OUTS/LEAF WIDTHS.
 - 3) ADDITIONAL STYLES OF GATE HARDWARE ARE AVAILABLE ON REQUEST. THIS COULD CHANGE THE LATCH/HINGE CLEARANCE.
 - 4) THIRD/FORTH RAIL OPTIONAL.

1
LA2.02 MAN GATE NTS



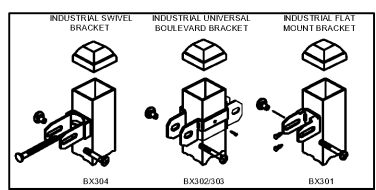
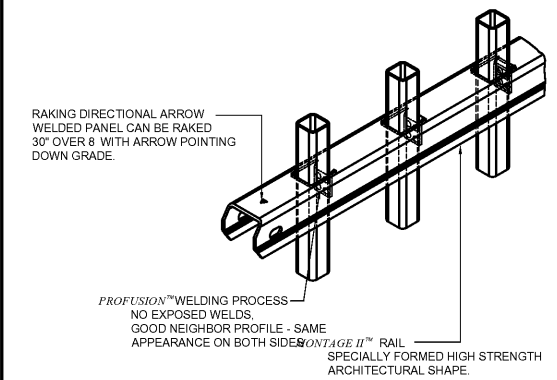
- NOTES:**
- 1) POST SI E DEPENDS ON FENCE HEIGHT, WEIGHT AND WIND LOADS. SEE MONTAGE II™ SPECIFICATIONS FOR POST SIZING CHART.
 - 2) SEE AMERISTAR GATE TABLE FOR STANDARD OUT TO OUTS. CUSTOM GATE

2
LA2.02 MAINTENANCE GATE NTS



- NOTES:**
- 1) POST SI E DEPENDS ON FENCE HEIGHT AND WIND LOADS. SEE MONTAGE II™ SPECIFICATIONS FOR POST SIZING CHART AND DIMENSIONS.
 - 2) THIRD/FORTH RAIL OPTIONAL.
 - 3) AVAILABLE IN FLUSH BOTTOM.

3
LA2.02 FENCE NTS



VALUES SHOWN ARE NOMINAL AND NOT TO BE USED FOR INSTALLATION PURPOSES. SEE PRODUCT SPECIFICATION FOR INSTALLATION REQUIREMENTS.

4
LA2.02 FASTENING PARTS NTS

Order Plans @ WWW.LDLINE.COM

LD Line and Company
225 Foxshire Lane, N.E. International Tower
Atlanta, Georgia 30328
404-577-4000 FAX 404-977-7119

SKYLINE
ENGINEERING & CONSTRUCTION
P-888.706.0061 F-770.217.7530 www.skyline-ec.com

SYMBOL	DATE	BY	REVISION

PRELIMINARY
PRELIMINARY
PRELIMINARY

City of
Dunwoody
PROJECT
BASEBALL FACILITIES AT
BROOK RUN PARK

CLIENT
DESIGNED DRAWN CHECKED DATE
PROJECT NO. C-1610-10 SCALE AS SHOWN
DRAWING TITLE SITE DETAILS

DRAWING NO.
LA-2.02
SHEET OF

RAC #: 1700200