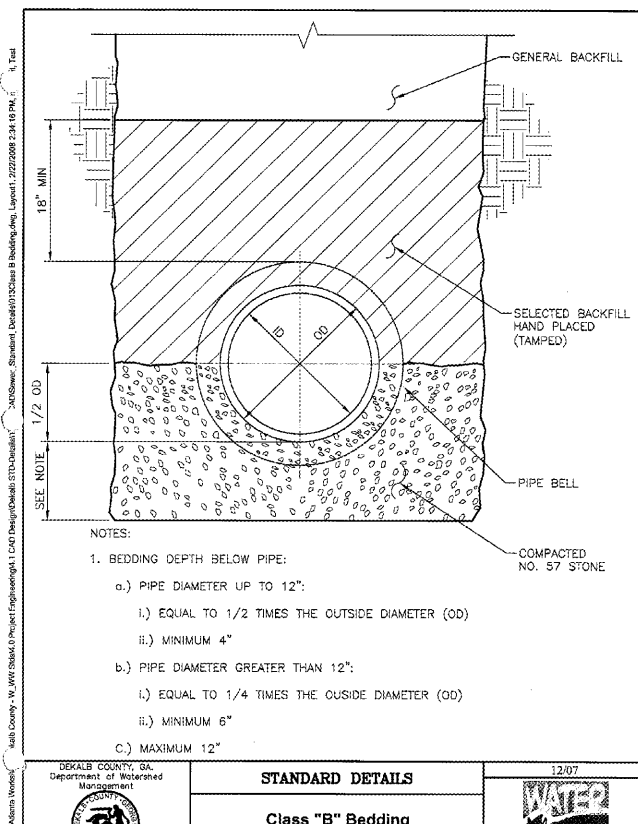
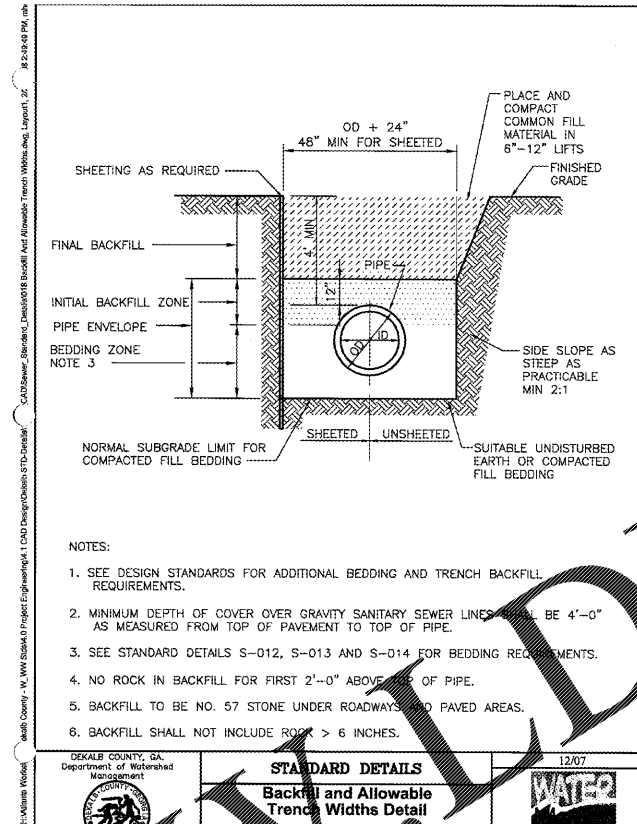


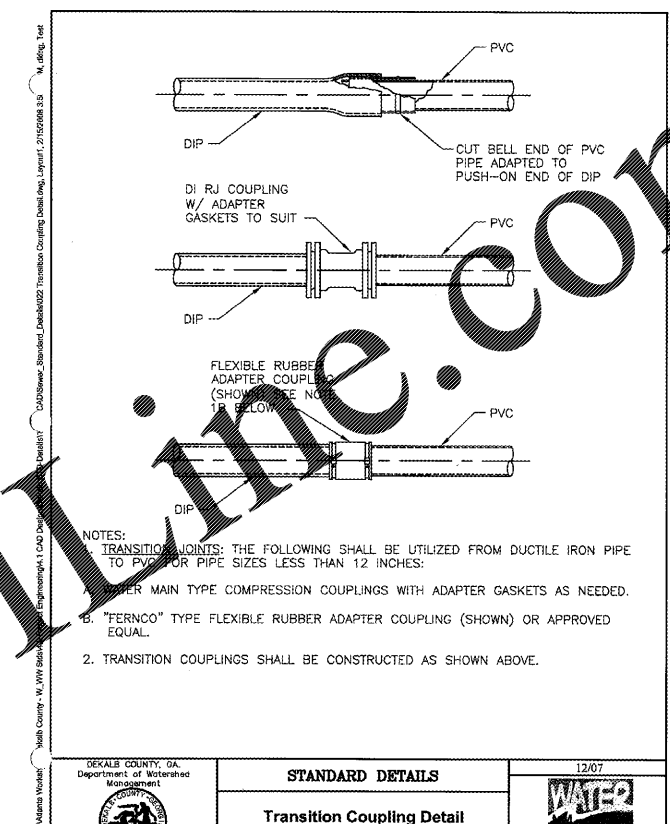
1 SEWER INVERT PLAN
C4.4 N.T.S.



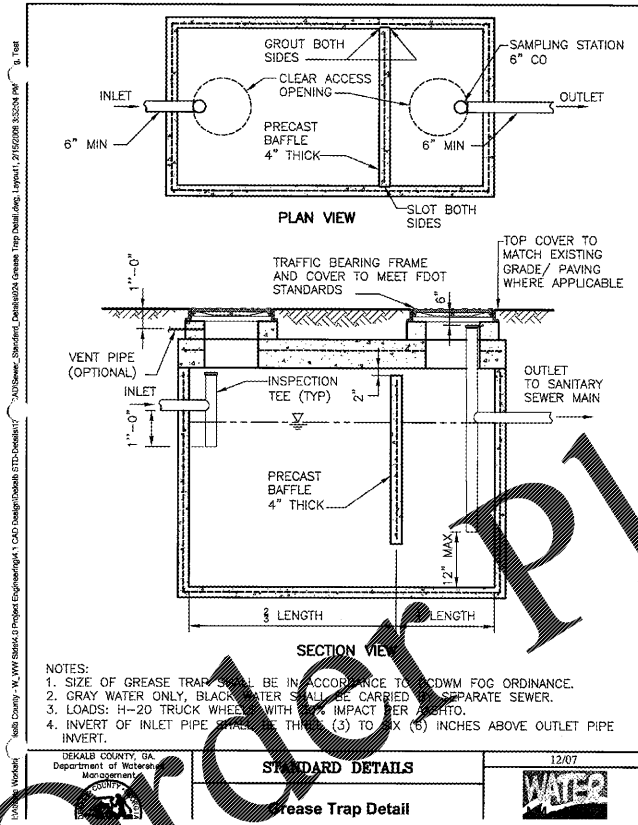
2 CLASS "B" BEDDING
C4.4 N.T.S.



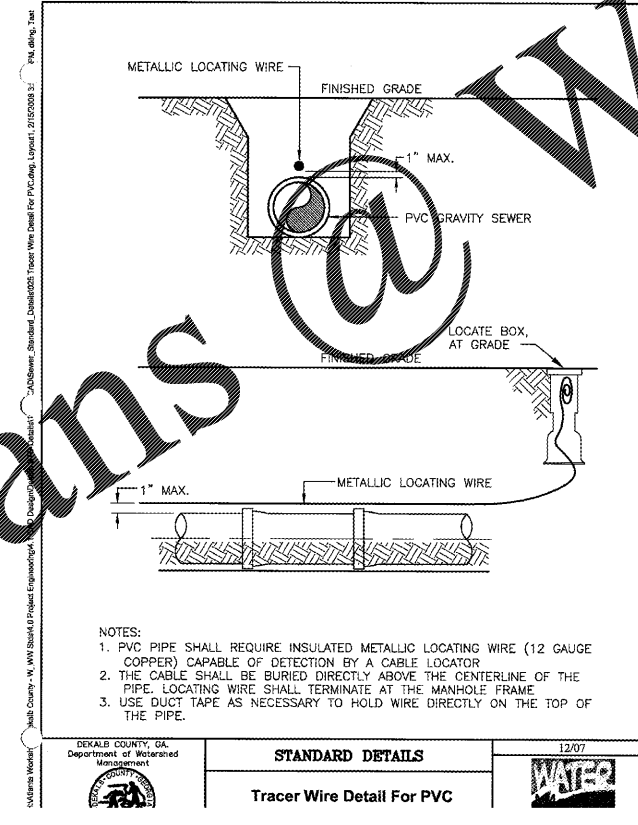
3 BACKFILL AND TRENCH WIDTHS
C4.4 N.T.S.



4 TRANSITION COUPLING
C4.4 N.T.S.



5 GREASE TRAP
C4.4 N.T.S.



6 PVC TRACER WIRE
C4.4 N.T.S.

UTILITY DETAILS -SEWER

Original Plans @ WWW.WWWDLINE.COM

Skyline
 Skyline Engineering and Construction Company
 2700 Peachtree Street, N.E., Suite 3020
 Atlanta, Georgia 30329
 P: 888.706.0861 F: 770.217.7530 www.skyline-ec.com

DESIGNED	DRAWN	CHECKED	DATE	PROJECT
MDC	BKJ		04/12/2017	UTILITY DETAILS
DRAWING NO. C-4.4				PROJECT: Baseball Facilities at Brook Run Park
SHEET OF				CLIENT: City of Dunwoody