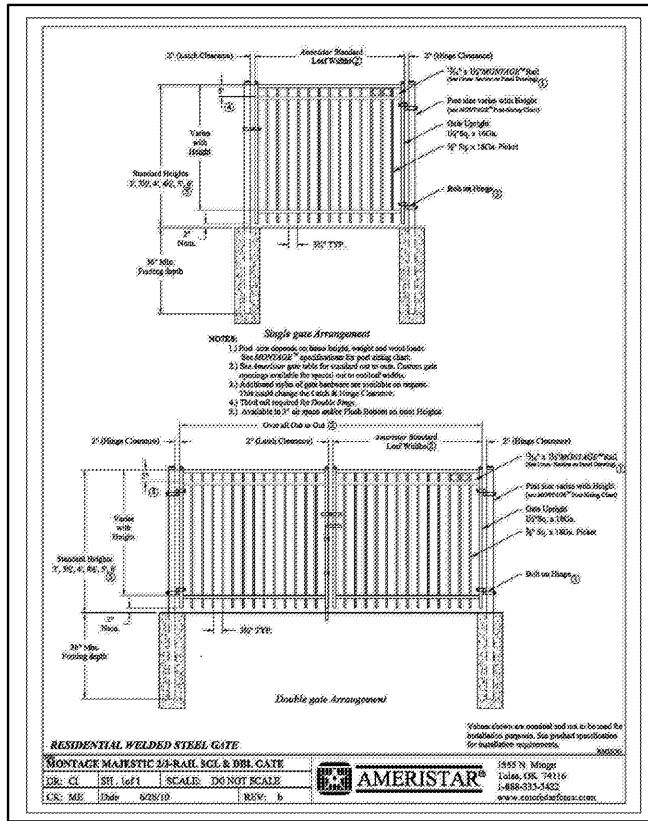
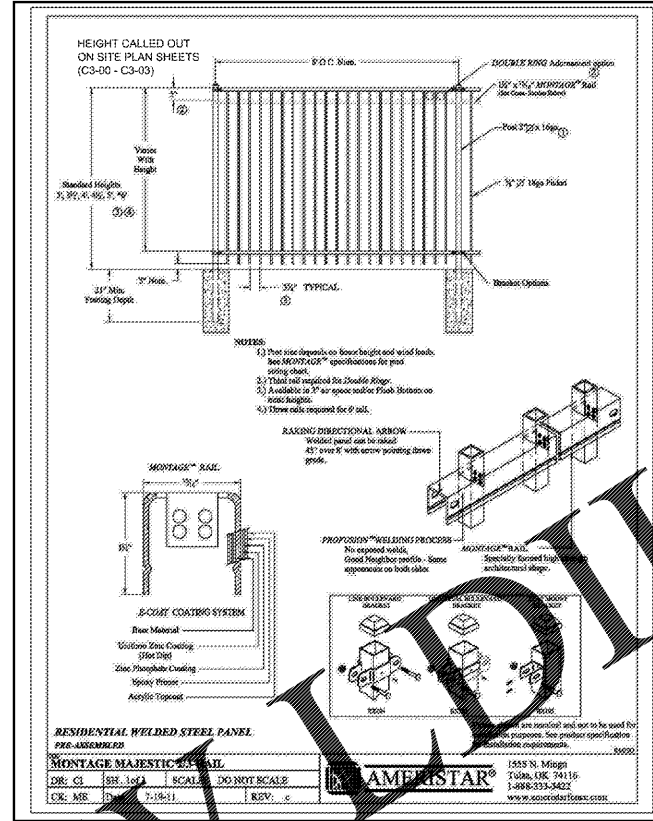


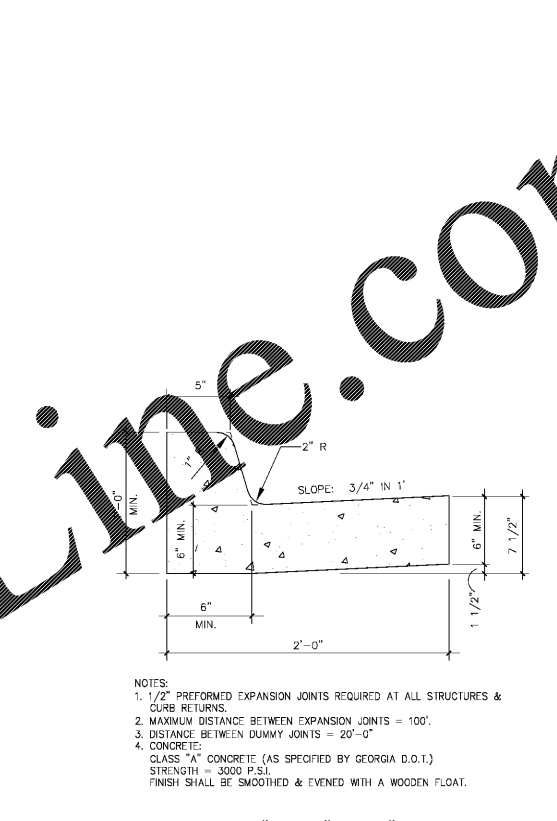
1
C1.1
REMOVABLE BOLLARDS
OR APPROVED EQUAL
NOT TO SCALE



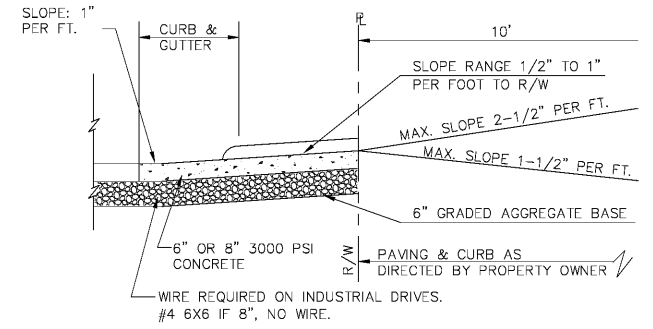
2
C1.1
DECORATIVE GATE
OR APPROVED EQUAL
NOT TO SCALE



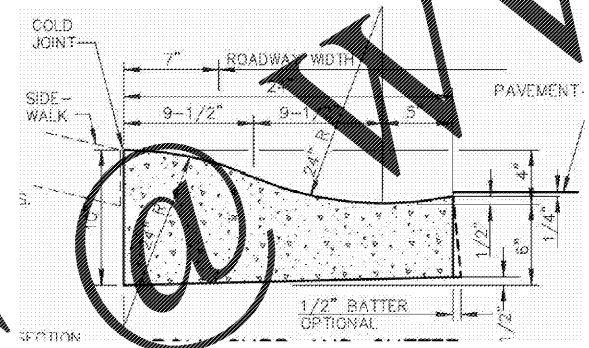
3
C1.1
DECORATIVE FENCE
OR APPROVED EQUAL
NOT TO SCALE



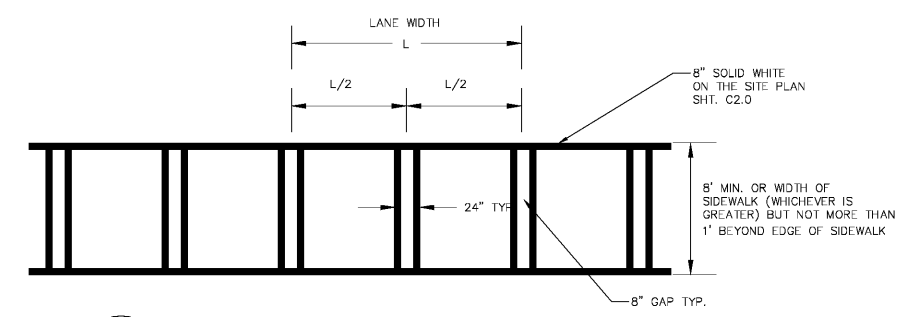
4
C1.1
STANDARD 6" x 12" x 24" CONCRETE CURB AND GUTTER
NOT TO SCALE



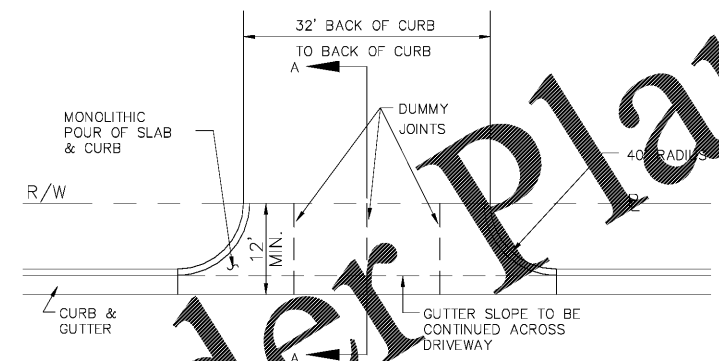
SECTION A-A



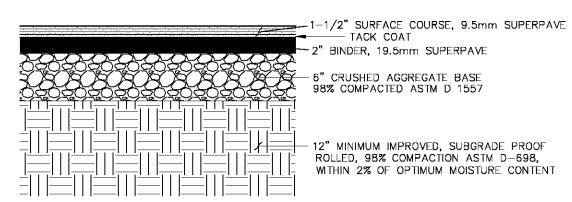
6
C1.1
ROLL CURB & GUTTER
NOT TO SCALE



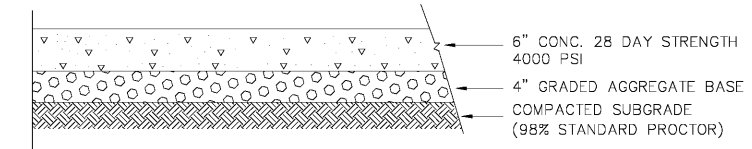
7
C1.1
TYPICAL CROSSWALK DETAIL
NOT TO SCALE



5
C1.1
CONCRETE DRIVEWAY APRON
N.T.S.



8
C1.1
TYPICAL STANDARD DUTY PAVING
NOT TO SCALE



9
C1.1
6" CONCRETE PAVING
NOT TO SCALE

SITE DETAILS

Order Plans

Skyline
 P: 888.706.0661 F: 770.217.7530 www.skyline-ec.com

DESIGNED	DRAWN	CHECKED	DATE	CLIENT	PROJECT
MDC	BKJ		04/12/2017	City of Dunwoody	Baseball Facilities at Brook Run Park
DRAWING NO. C-1.1				SITE DETAILS	
SHEET OF					