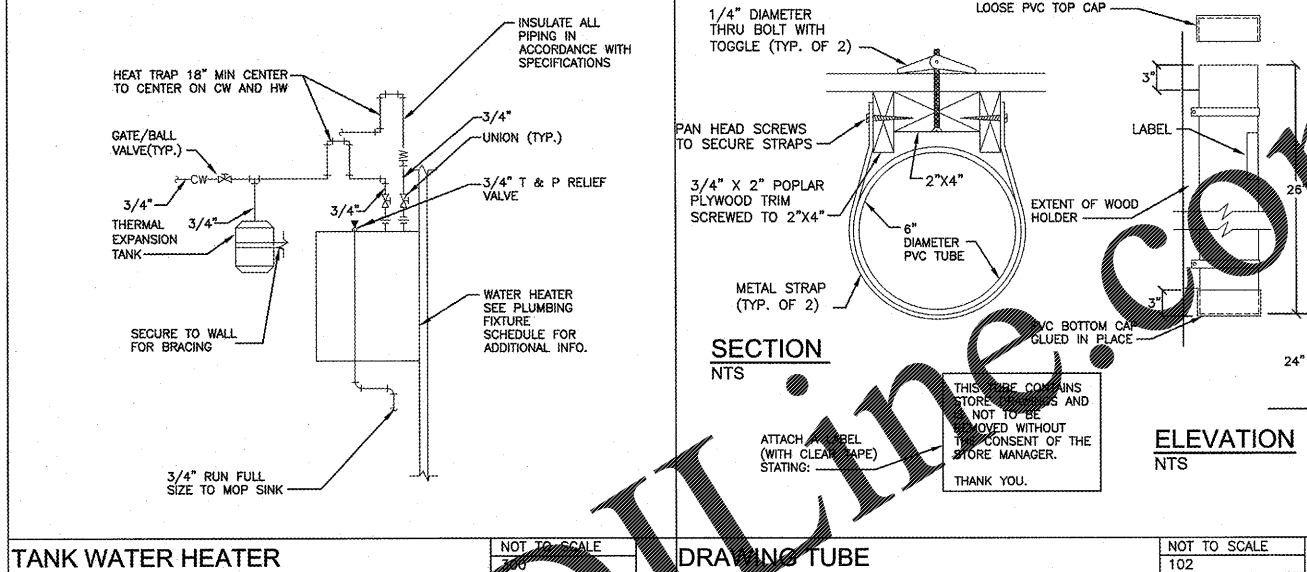


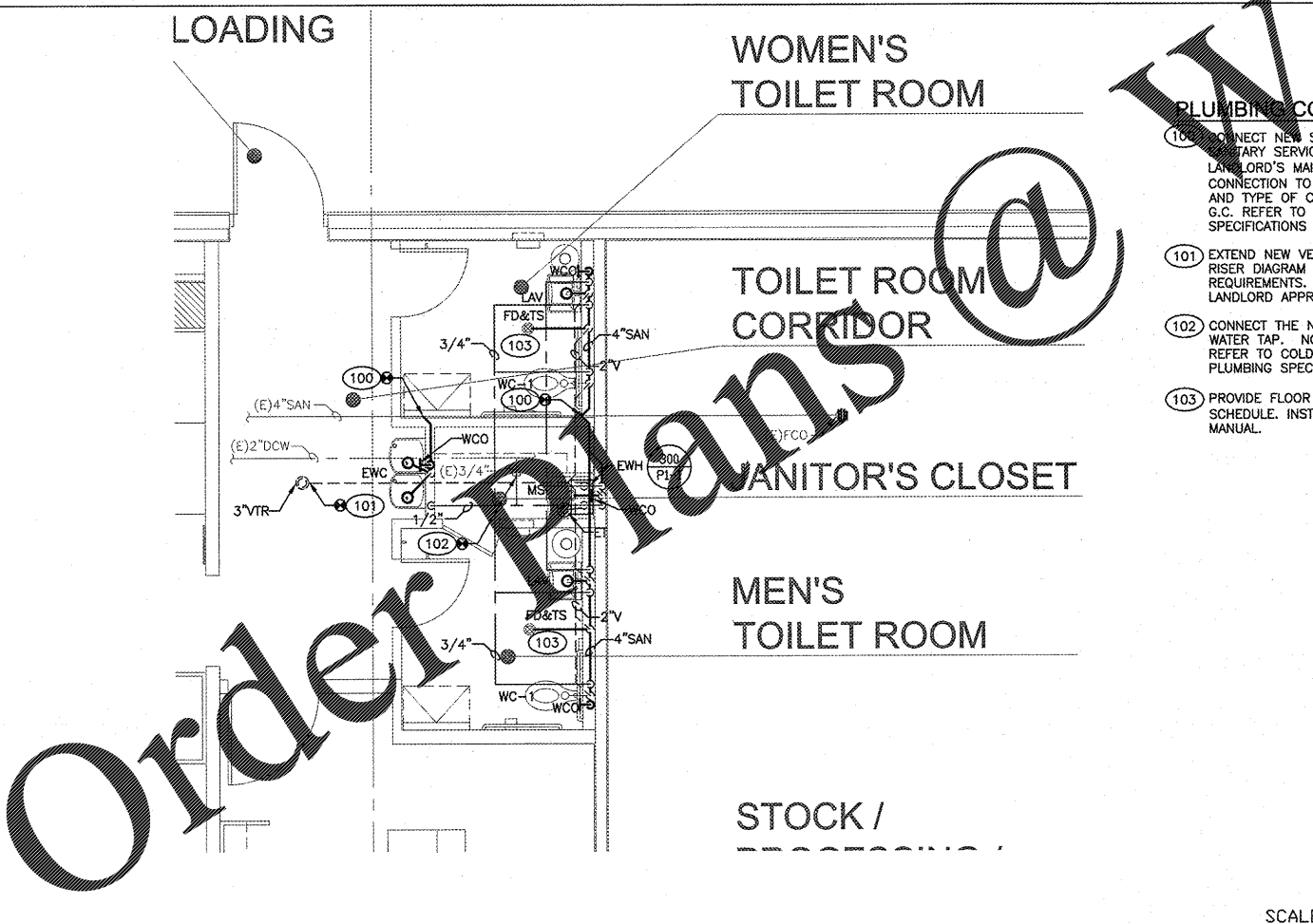
| PLUMBING SCHEDULE | | | | | | | | | | | | | |
|-------------------|------------------------|-------------------|----------------------------------|-------------------|---------------------------------|-------------|--------|------|------|------------|-------|-------|---------|
| MARK | DESCRIPTION | FIXTURE | | VALVE/FAUCET | | CONNECTIONS | | | | ELECTRICAL | | | REMARKS |
| | | MFR | MODEL | MFR | MODEL | WASTE | VENT | CW | HW | VOLTAGE | PHASE | WATTS | |
| WC-1 | WATER CLOSET HANDICAP | AMERICAN STANDARD | CADET #2467.016, WHITE | - | - | 4" | 2" | 3/4" | - | - | - | - | 1,9,13 |
| LAV | LAVATORY | AMERICAN STANDARD | DECORUM 9024.01EC, WHITE | AMERICAN STANDARD | SERIN(BATTERY) 2064.145(0.5gpm) | 1-1/2" | 1-1/2" | 1/2" | 1/2" | - | - | - | 2, 3,14 |
| EWH | WATER HEATER TANK | BOSCH | ES4 4-GALLON | - | - | - | - | 3/4" | 3/4" | 120 | 1 | 1440 | 4 |
| FD | FLOOR DRAIN | J. R. SMITH | 2005A-PO50 | - | - | 3" | 1-1/2" | - | - | - | - | - | 10 |
| FS | FLOOR SINK | J.R. SMITH | 3140 | - | - | 3" | 1-1/2" | - | - | - | - | - | 10 |
| MS | MOP SINK | FIAT PRODUCTS | #MSB-2424 | AMERICAN STANDARD | UTILITY #8354.112.004 | 3" | 1-1/2" | 3/4" | 3/4" | - | - | - | 5 |
| EWC | ELECTRIC WATER COOLER | ELKAY | EZTL8SC TWO LEVEL | - | - | 1-1/2" | 1-1/2" | 1/2" | - | 120 | 1 | 325 | 6 |
| WHA | WATER HAMMER ARRESTERS | ZURN | SHOKTROL | - | - | - | - | - | - | - | - | - | - |
| FCO | FLOOR CLEAN OUT | J. R. SMITH | SERIES 4000 TO SUIT FLOOR FINISH | - | - | - | - | - | - | - | - | - | 11 |
| WCO | WALL CLEAN OUT | J. R. SMITH | 4532S | - | - | - | - | - | - | - | - | - | 15 |

REMARKS:

- 1 PROVIDE WITH BEMIS MANUFACTURING MODEL 1955SSC STANDARD WHITE OPEN FRONT SEAT LESS COVER.
- 2 PROVIDE WITH JAY R. SMITH #0700 FLOOR MOUNT LAVATORY CARRIER.
- 3 PROVIDE WITH TRUEBRO LAV GUARD MODEL #102
- 4 PROVIDE WITH A WATTS PLT-5 2.1 GALLON POTABLE WATER EXPANSION TANK (ET). INSTALL BOTTOM OF HEATER MIN. 7'-0" A.F.F..
- 5 PROVIDE WITH FIAT PRODUCTS VINYL BUMPER GUARD #E-77-AA.
- 6 PROVIDE WITH DEARBORN 17GA. TRAP, TRAP ADAPTER AND ANGLE STOP.
- 9 PRESSURE ASSISTED TANK TYPE WATER CLOSET
- 10 FLOOR DRAIN TO BE PROVIDED WITH TRAP SEAL DEVICE (TS), PROSET TRAP GUARD, SURE SEAL TRAP SEALER OR EQUAL.
- 13 FURNISH RIGHT HAND AND LEFT HAND MODELS AS REQUIRED PER ADA.
- 14 PROVIDE WITH MIXING VALVE, AMERICAN STANDARD MODEL #605XTM1070.
- 15 CAST IRON CLEANOUT TEE WITH STAINLESS STEEL ROUND COVER. PLUG TO BE GAS AND WATER TIGHT.

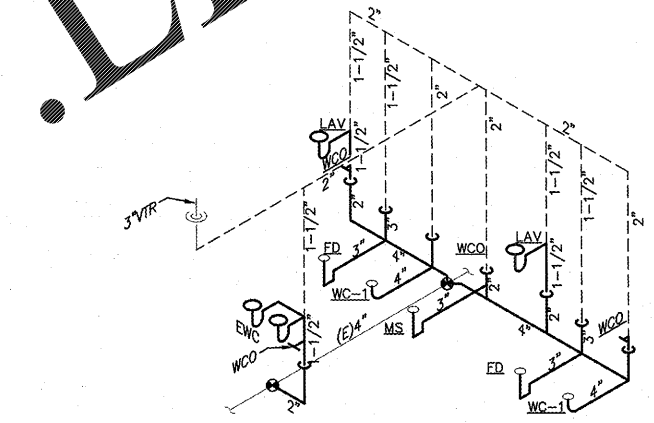


TANK WATER HEATER NOT TO SCALE 102
DRAWING TUBE NOT TO SCALE 102

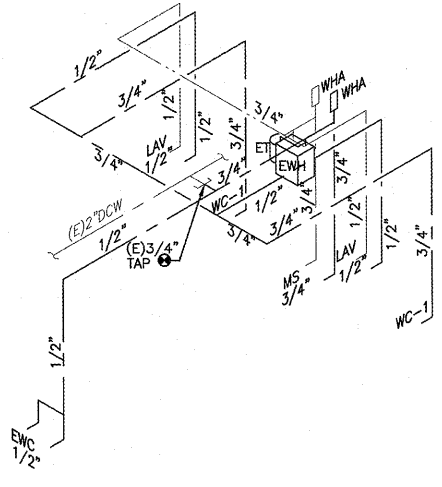


- PLUMBING CODED NOTES
- 100 CONNECT NEW SANITARY LINE INTO THE LANDLORD'S EXISTING SANITARY SERVICE AS SHOWN. FIELD VERIFY EXACT LOCATION OF LANDLORD'S MAIN PRIOR TO BIDDING. INSTALL CLEANOUT AT CONNECTION TO LANDLORD'S MAIN AND COORDINATE LOCATION AND TYPE OF COVER REQUIRED TO MATCH FLOOR FINISH WITH G.C. REFER TO WASTE AND VENT RISER DIAGRAM AND PLUMBING SPECIFICATIONS FOR ADDITIONAL REQUIREMENTS.
 - 101 EXTEND NEW VENT THROUGH ROOF. REFER TO WASTE AND VENT RISER DIAGRAM AND PLUMBING SPECIFICATIONS FOR ADDITIONAL REQUIREMENTS. ALL ROOFING WORK SHALL BE DONE BY LANDLORD APPROVED ROOFING CONTRACTOR.
 - 102 CONNECT THE NEW COLD WATER LINE INTO THE EXISTING COLD WATER TAP. NOTIFY G.C. IF TAP IS SMALLER THAN SHOWN. REFER TO COLD WATER AND HOT WATER RISER DIAGRAM AND PLUMBING SPECIFICATIONS FOR ADDITIONAL REQUIREMENTS.
 - 103 PROVIDE FLOOR DRAIN WITH TRAP SEAL DEVICE (TS) PER SCHEDULE. INSTALL DEVICE PER MANUFACTURER'S INSTALLATION MANUAL.

SCALE: 1/4" = 1'-0" @ FULL SIZE



WASTE AND VENT RISER DIAGRAM NOT TO SCALE 100



COLD WATER AND HOT WATER RISER DIAGRAM NOT TO SCALE 101

NEW STORE

OLD NAVY

REP. ID: 000054156

REPS. ID: 4458

STORE LOCATION: VINELAND 8231 VINELAND AVENUE SUITE 2151 ORLANDO, FLORIDA 32821

DESIGN TYPE: P3
GENERATION: 17Q12
PROTOTYPE DATE: 07/18/16
OPENING: 2017

CONSULTANT INFO:

ECA
ECA Consulting Engineers
6615 Vaught Ranch Road, Suite 100
Austin, Texas 78790-2314 USA
512.744.4400 main; 512.744.4444 fax
www.ece.com

State of Registration: FLORIDA
Firm Registration No. 26645
ECA Project No. 20169549

PROFESSIONAL STAMP:
MICHAEL J. BARR
LICENSED PROFESSIONAL ENGINEER
No. 58351
STATE OF FLORIDA

ARCHITECT INFO:

B|R|R
architecture
ARCHITECT OF RECORD: BRR ARCHITECTURE, INC.
6705 ANTIOCH PLAZA, SUITE 200, HERRING, KANSAS 66204

ISSUE TYPE:

PERMIT/BID: 04/07/17

REVISIONS:

DRAWN BY: COP
A/E JOB NUMBER: 65013011

TITLE SHEET:
ENLARGED PLUMBING PLAN, DETAILS AND RISER DIAGRAMS

SHEET NUMBER:
P1-1