

RESTROOM SIGN

SCALE: 1" = 1'-0" 12

NOT USED

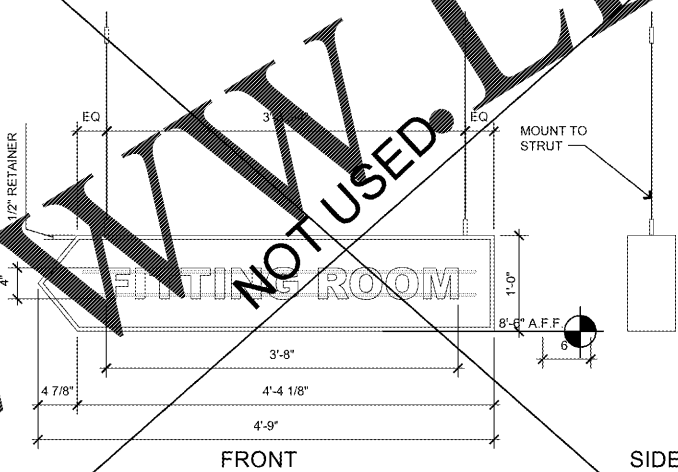
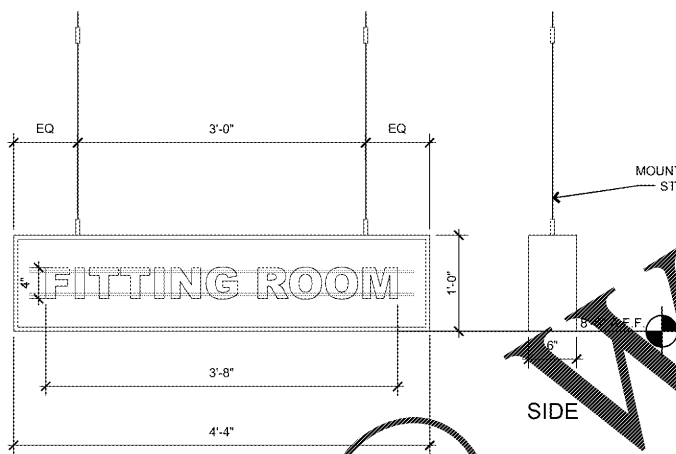
SCALE: 9

NOT USED

SCALE: 'Famous Jeans' SIGN

'Famous Jeans' SIGN

SCALE: 3/8" = 1'-0" 3



NOT USED

SCALE: 11

FITTING ROOMS SIGN

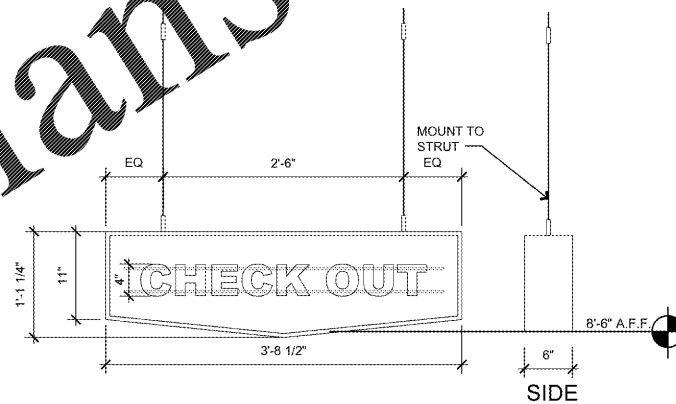
SCALE: 1" = 1'-0" 8

FITTING ROOMS ARROW SIGN

SCALE: 1" = 1'-0" 5

SIGN MOUNTING

SCALE: 3" = 1'-0" 2



NOT USED

SCALE: 10

'CHECK OUT' CASHWRAP SIGN

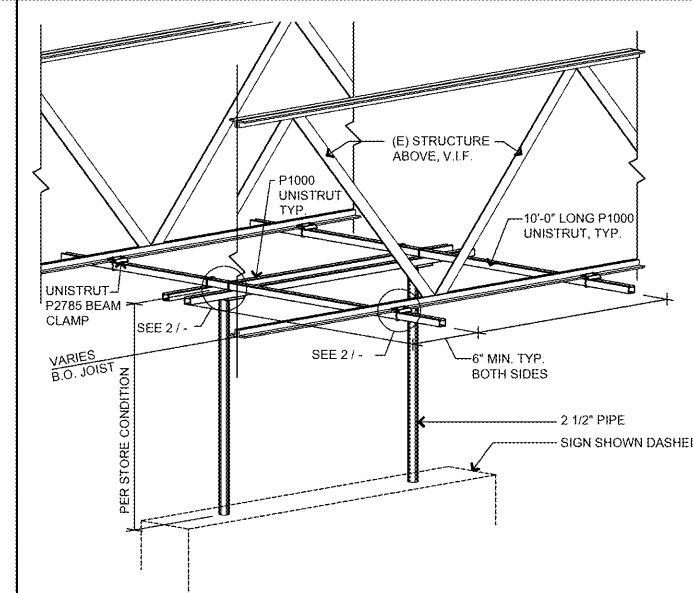
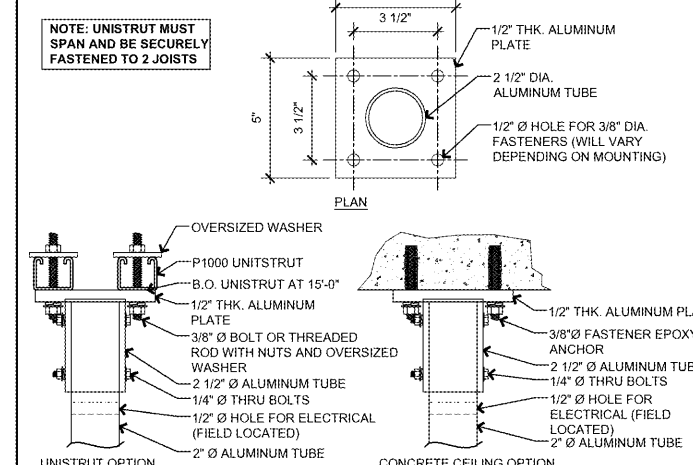
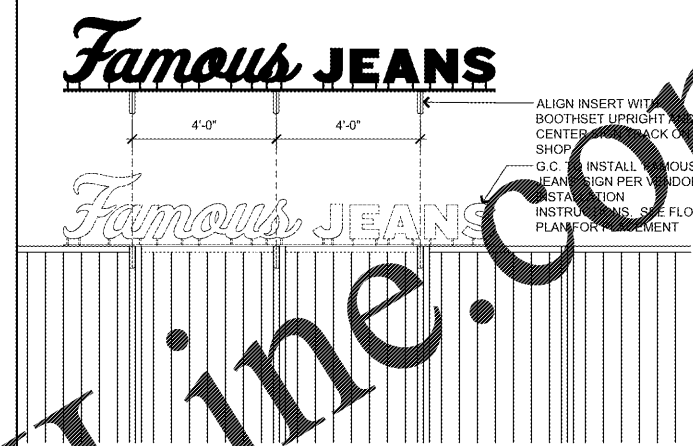
SCALE: 1" = 1'-0" 7

NOT USED

SCALE: 4

SIGN MOUNTING SUPPORT

SCALE: 1/2" = 1'-0" 1



NEW STORE

**OLD NAVY**

CAPAC. ARCHITECTURE  
CORPORATE ARCHITECTURE  
HARRIS STREET  
FRANCO, CA 94105

REPS. I.D.: 0000054156

STORE NUMBER: 4458

STORE LOCATION: VINELAND  
8231 VINELAND AVENUE  
SUITE 2151  
ORLANDO, FLORIDA 32821

DESIGN TYPE: P3  
GENERATION: 17Q12  
PROTOTYPE DATE: 07/18/16  
OPENING: 2017

CONSULTANT INFO:

PROFESSIONAL STAMP:

ARCHITECT INFO:  
**B | R | R**  
architecture  
ARCHITECT OF RECORD: BRR ARCHITECTURE, INC.  
6700 ANTIOCH PLAZA, SUITE 200, HEBERS, KANSAS 66004

ISSUE TYPE:

PERMIT/BID: 04/07/17

REVISIONS:

DRAWN BY: EE  
A/E JOB NUMBER: 65013011

TITLE SHEET:  
INTERIOR SIGNAGE  
DETAILS

SHEET NUMBER:  
**A11-1**

Order Plans @ WWW.LDLINE.COM