

NEW STORE

OLD NAVY

REP. I.D.: 0000054156

STORE NUMBER: 4458

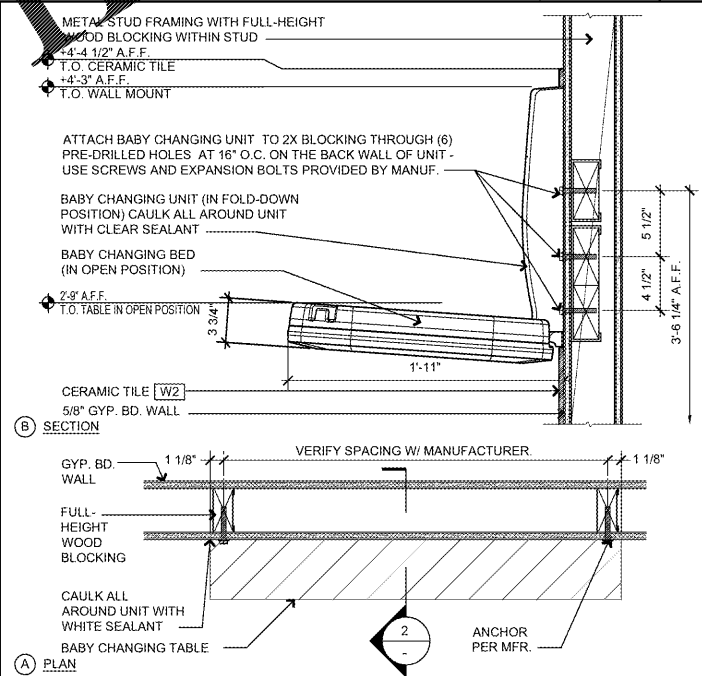
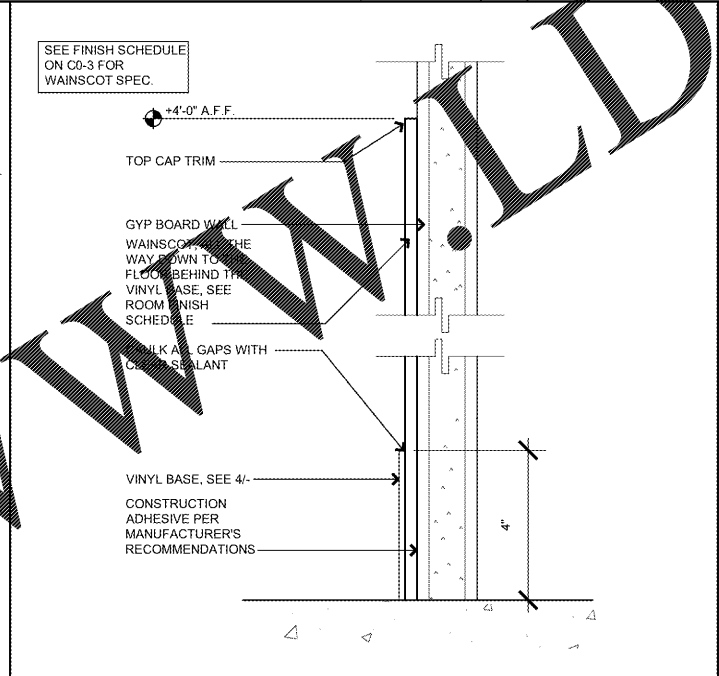
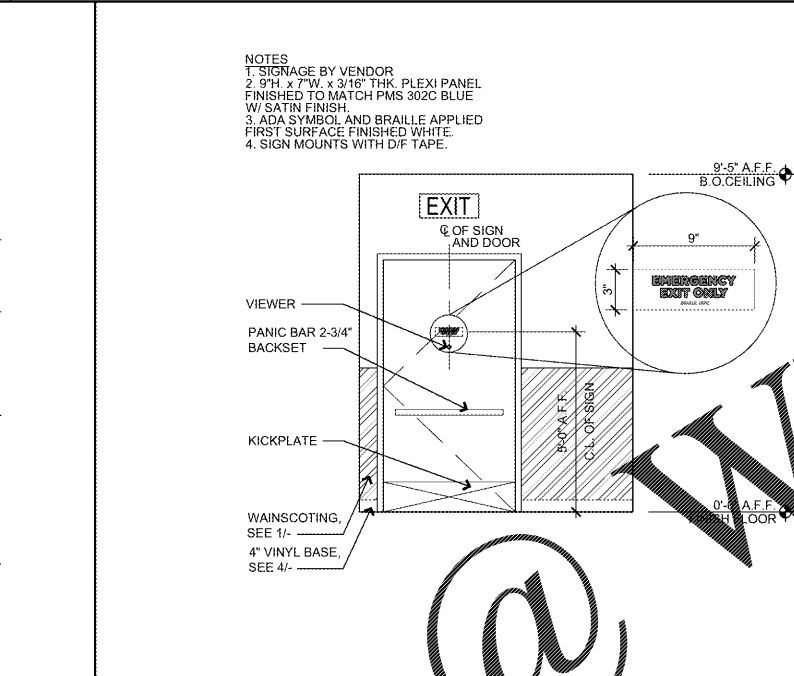
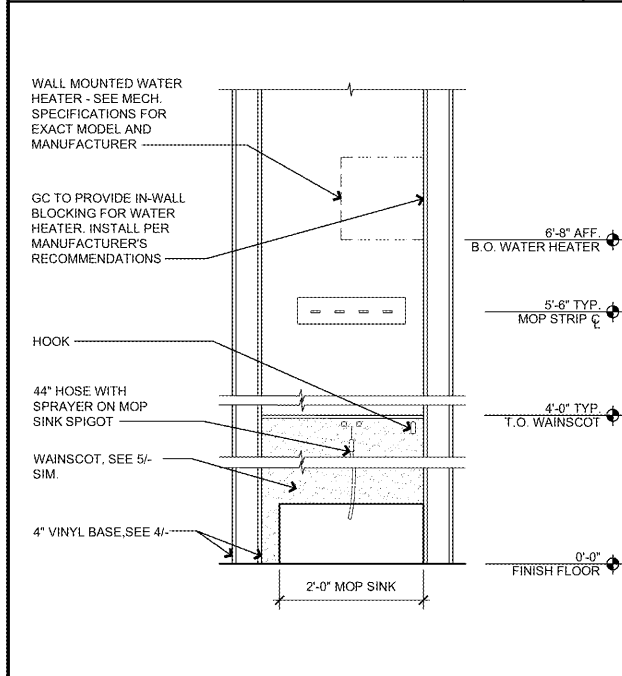
STORE LOCATION: VINELAND 8231 VINELAND AVENUE SUITE 2151 ORLANDO, FLORIDA 32821

TOILET ROOM CORRIDOR ELEVATION SCALE: 3/8" = 1'-0" 12

TOILET ROOM CORRIDOR ELEVATION SCALE: 3/8" = 1'-0" 9

TOILET ROOM CORRIDOR ELEVATION SCALE: 3/8" = 1'-0" 3

DESIGN TYPE: P3
GENERATION: 17012
PROTOTYPE DATE: 07/18/16
OPENING: 2017



CONSULTANT INFO:

PROFESSIONAL STAMP:

ARCHITECT INFO:

B|R|R architecture

ARCHITECT OF RECORD: BRR ARCHITECTURE, INC. 6700 ANTIOCH PLAZA, SUITE 300, HEBERSHAM, KANSAS 66044

DETAIL @ MOP SINK SCALE: 3/4" = 1'-0" 11

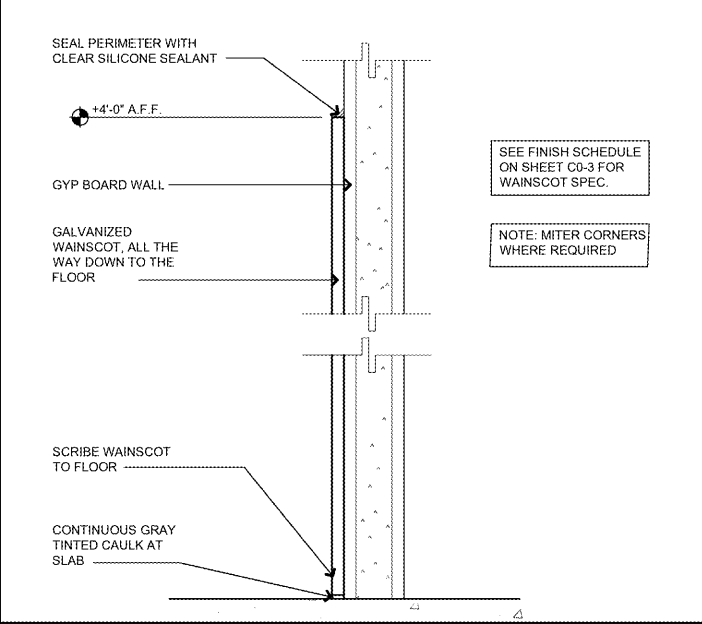
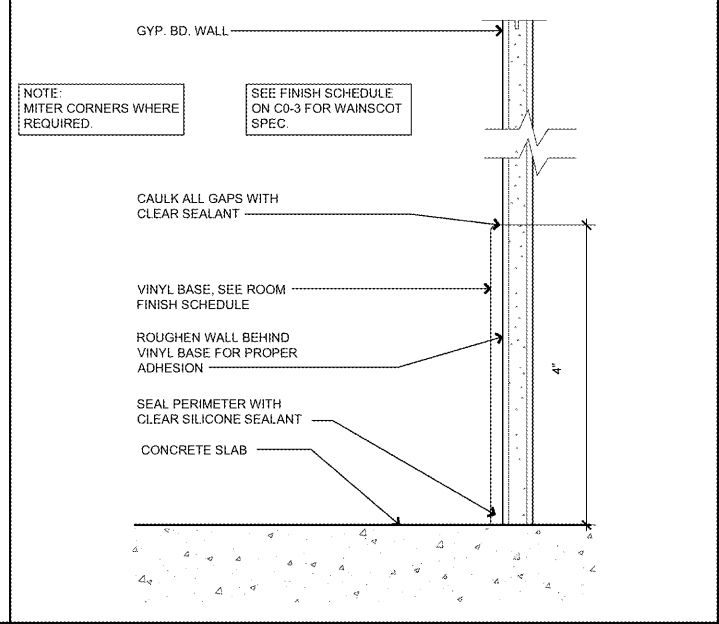
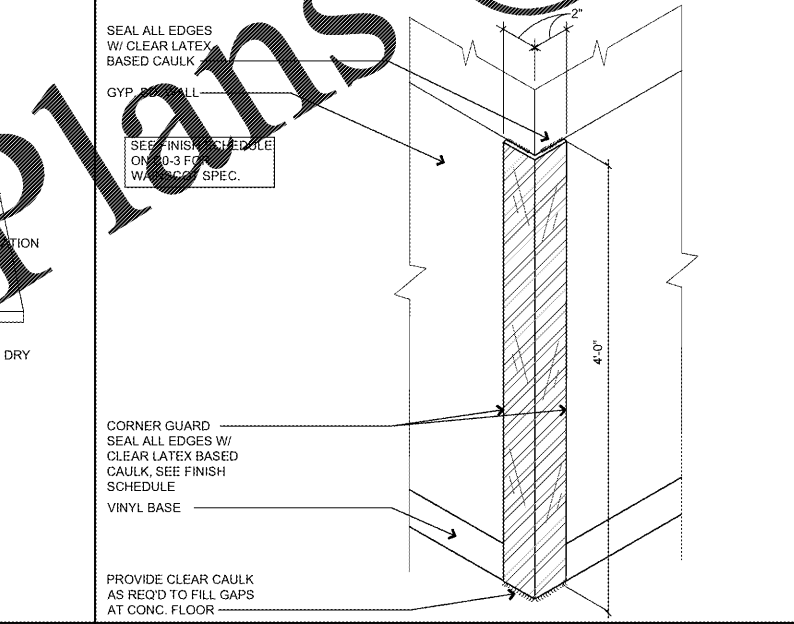
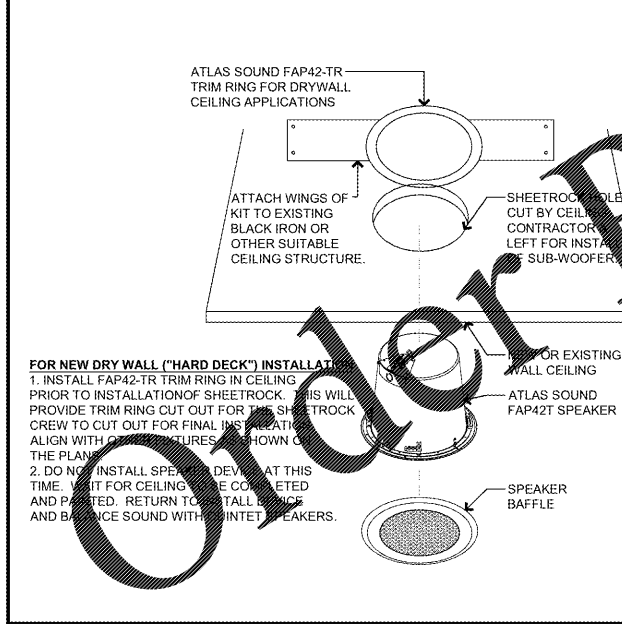
TOILET ROOM CORRIDOR ELEVATION SCALE: 3/8" = 1'-0" 8

WAINSCOT (JANITOR CLOSET ONLY) SCALE: 1'-0" = 1'-0" 5

PLAN AND SECTION @ BABY CHANGING TABLE SCALE: 1 1/2" = 1'-0" 2

ISSUE TYPE:

PERMIT/BID: 04/07/17



REVISIONS:

DRAWN BY: EE

A/E JOB NUMBER: 65013011

TITLE SHEET: TOILET ROOM DETAILS

SHEET NUMBER:

SPEAKER AT CEILING SCALE: 1" = 1'-0" 10

GALVANIZED CORNER GUARD SCALE: N.T.S. 7

VINYL BASE SCALE: 6" = 1'-0" 4

GALVANIZED WAINSCOT SCALE: 1'-0" = 1'-0" 1

A10-1