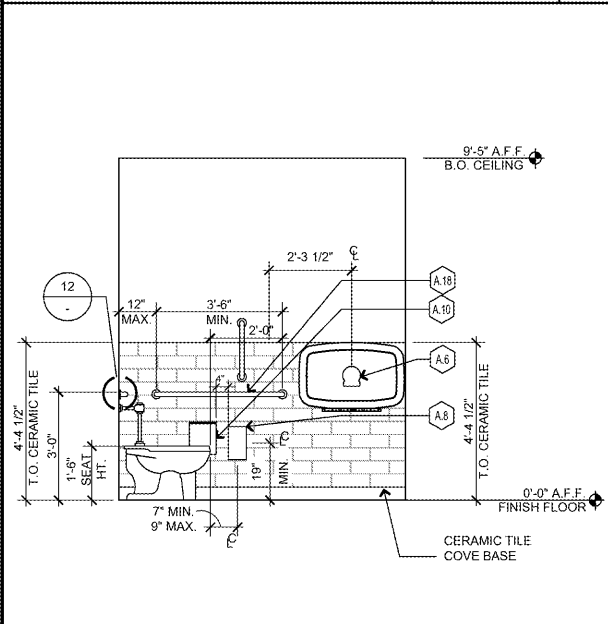
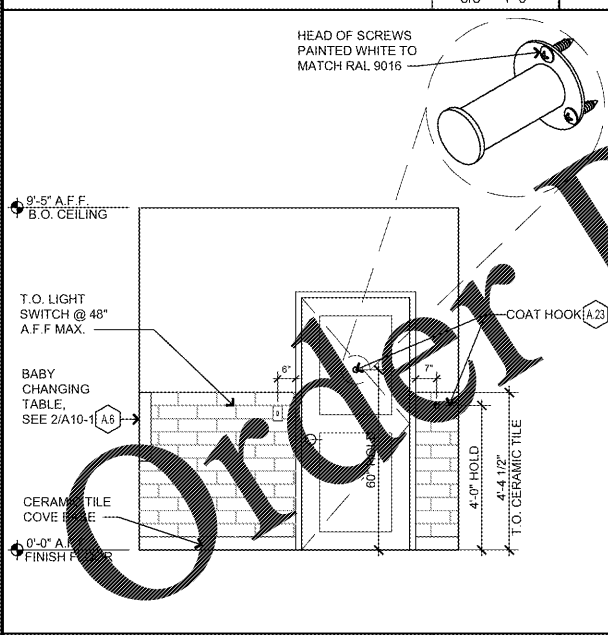


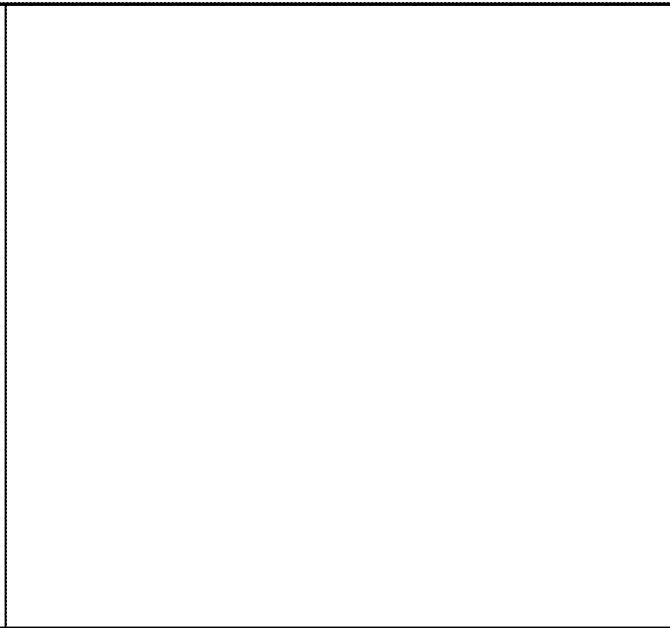
SECTION THROUGH GRAB BAR SCALE: 3" = 1'-0" 12 NOT USED



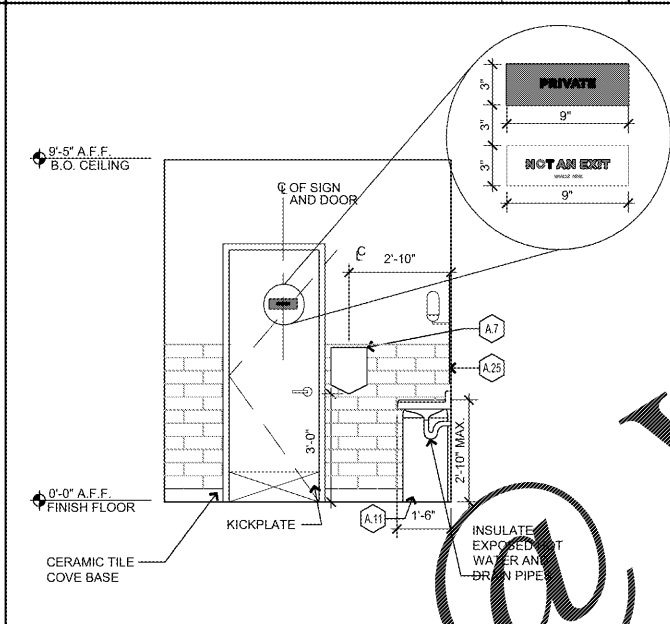
TOILET ROOM ELEVATION SCALE: 3/8" = 1'-0" 11



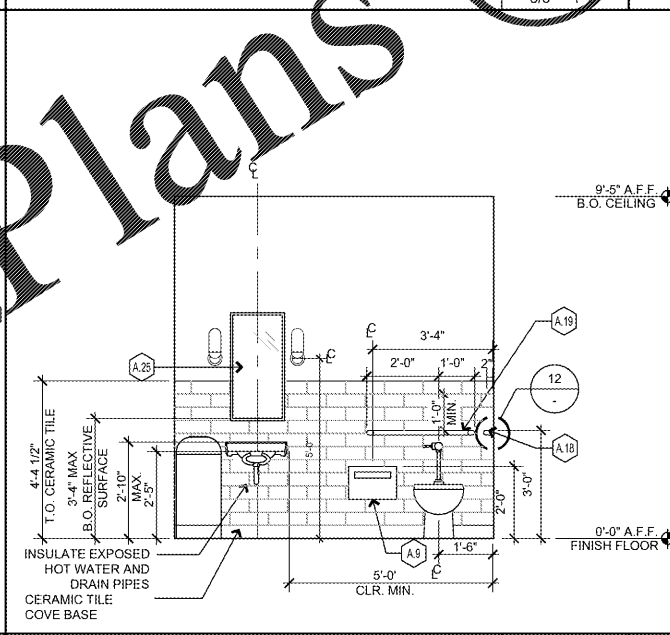
TOILET ROOM ELEVATION SCALE: 3/8" = 1'-0" 10



TOILET ROOM ELEVATION SCALE: 3/8" = 1'-0" 8



TOILET ROOM ELEVATION SCALE: 3/8" = 1'-0" 7

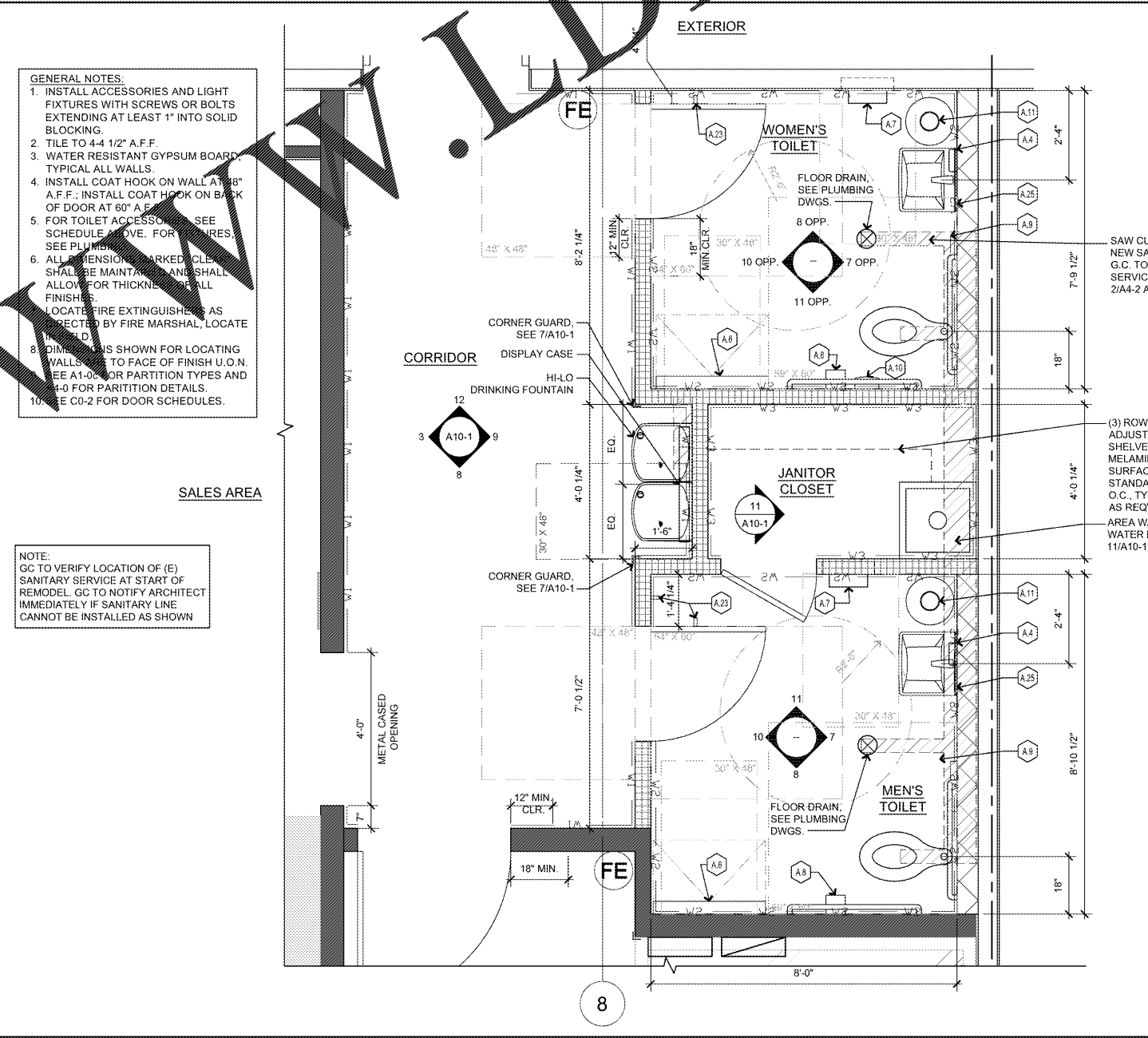


TOILET ROOM PLAN - NEW SCALE: 3/8" = 1'-0" 7

ITEM	MANUFACTURER	MODEL	COLOR	COMMENTS	
A.3	WALL MOUNTED SOAP DISPENSER	BOBRICK	B-4112	STAINLESS STEEL	LOCATED IN EMPLOYEE AREA
A.4	SOAP DISPENSER - SINK MOUNTED	BRADLEY	6322	STAINLESS STEEL	LAVATORY MOUNTED SOAP DISPENSER
A.5	PAPER TOWEL DISPENSER	BOBRICK	B-262 W/ 262-130 TOWELMATE	STAINLESS STEEL	INSTALL TOWELMATE INSIDE DISPENSER W/ DOUBLE STICK TAPE. LOCATED IN EMPLOYEE AREA
A.6	BABY CHANGING TABLE (SEE 2/A10-1)	KOALA	KB-200-01SS	GRAY	STAINLESS STEEL PANEL, SURFACE MOUNTED TO MEET ADA REQUIREMENTS FOR PROJECTION, MOUNTING HEIGHT, AND OPERATION
A.7	ELECTRIC HAND DRYER	DYSON	AB12	SPRAYED NICKEL	SURFACE MOUNT W/ 4" PROJECTION, CONTACT RUSSEL ADDIS AT RUSSEL.ADDIS@DYSON.COM PHONE: 312-846-7772 OR RYAN WADE AT RYAN.WADE@DYSON.COM PHONE: 925-605-9049.
A.8	TOILET PAPER DISPENSER	BOBRICK	B-4288	STAINLESS STEEL	-
A.9	TOILET SEAT COVER DISPENSER	BOBRICK	B-221	STAINLESS STEEL	-
A.10	SANITARY NAPKIN DISPOSAL	BOBRICK	B-270	STAINLESS STEEL	WOMEN'S AND UNISEX RESTROOMS ONLY
A.11	TRASH CAN - DOME OPEN TOP	MORGAN LI	415DT	BLUE	15 GALLON
A.18	42" GRAB BAR	BOBRICK	B-6806	STAINLESS STEEL	PROVIDE MIN. 36" LONG AT REAR OF TOILET AND 42" AT SEAT (FOR CANADA ONLY. PROVIDE A MIN. 24" LONG AT REAR OR TOILET AND 36" LONG AT SEAT.) USE MATCHING EXPOSED SCREWS
A.19	36" GRAB BAR	BOBRICK	B-6806	STAINLESS STEEL	-
A.20	18" GRAB BAR	BOBRICK	B-6806	STAINLESS STEEL	-
A.23	COAT HOOKS	CARLSON	EV2312	WHITE	(1) MOUNTED ON BACK OF DOOR AT 48" (1) MOUNTED ON WALL AT 48"
A.24	STALL HOOK	BOBRICK	B-233	STAINLESS STEEL	BACK OF EACH RESTROOM DOOR IN MULTIPLE OCCUPANCY RESTROOMS
A.25	18 X 36 MIRROR	BOBRICK	B-165-1836	STAINLESS STEEL	-

REMARKS:
 1. PROVIDE TOILET ACCESSORIES AS SHOWN ON DRAWINGS AND AS SPECIFIED.
 2. COMPLY WITH APPLICABLE CODE REQUIREMENTS, INCLUDING REQUIREMENTS TO PROVIDE ACCESS TO PERSONS WITH DISABILITIES.
 3. DELIVER INSERTS AND ROUGH-IN FRAMES TO JOB SITE AT APPROPRIATE TIME FOR BUILDING IN.
 4. INSTALL GRAB BARS TO PROVIDE LOAD SUPPORT AS REQUIRED BY APPLICABLE CODES.
 5. INSTALL TOILET ACCESSORIES IN ACCORDANCE WITH DRAWINGS AND MANUFACTURER'S INSTALLATION INSTRUCTIONS AND RECOMMENDATIONS.
 6. MOUNTING LOCATION AND HEIGHTS, AS INDICATED ON DRAWINGS AND IN CONFORMANCE WITH REQUIREMENTS FOR ACCESS FOR PERSONS WITH DISABILITIES.

ACCESSORY SCHEDULE 9 2



TOILET ROOM PLAN - NEW SCALE: 1/2" = 1'-0" 1

NEW STORE

OLD NAVY

REP. I.D.: 0000054156

STORE NUMBER: 4458

STORE LOCATION: VINELAND 8231 VINELAND AVENUE SUITE 2151 ORLANDO, FLORIDA 32821

DESIGN TYPE: P3
 GENERATION: 17012
 PROTOTYPE DATE: 07/18/16
 OPENING DATE: 2017

CONSULTANT INFO:

PROFESSIONAL STAMP:

ARCHITECT INFO:

B|R|R architecture

ARCHITECT OF RECORD: BRR ARCHITECTURE, INC. 6700 ANTIOCH PLAZA, SUITE 300, HEBERS, KANSAS 66044

ISSUE TYPE:

PERMIT/BID: 04/07/17

REVISIONS:

DRAWN BY: EE
 A/E JOB NUMBER: 65013011

TITLE SHEET:
 TOILET ROOM ENLARGED PLAN, ELEVATIONS & SCHEDULES (NEW)

SHEET NUMBER: A10-0