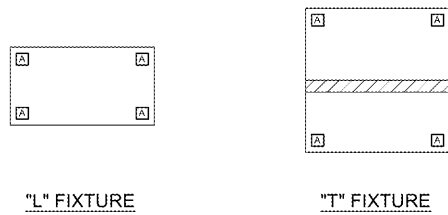


NOTES:  
 - [Symbol] DENOTES AN ANCHOR BOLT LOCATION, SEE 10/A8-2  
 - ALL FREESTANDING FIXTURES TO BE ANCHORED ON ALL CORNERS  
 - ALL DIMENSIONS "CLEAR" SHALL BE MAINTAINED AND SHALL ALLOW FOR THICKNESS OF ALL FINISHES  
 - FOR STORES IN SEISMIC ZONES, G.C. TO COORDINATE BOOTHSET ANCHORING W/ RACKING DRAWINGS AND CALCULATIONS



NO.	PART NAME	QTY.
A	FRAME W/MENT	1
B	DOOR FRAME W/MENT PC EBONY CHROME	1
C	UPSTOCK DOOR EXTENSION BAR	1
D	UPSTOCK DOOR HINGE	2
E	U CHANNEL	1
F	0.079"x1.5" TUBE	1
G	SPRING BUTTON 5/16" DIA	2
H	SPRING BUTTON 1/4" DIA	1
I	COROPLAST PANEL 31-3/4"x47-3/4"	1

"L" & "T" BOOTHSET ANCHOR POINT DETAIL

SCALE: 3/8" = 1'-0"  
12

UPSTOCK FIXTURE DETAIL

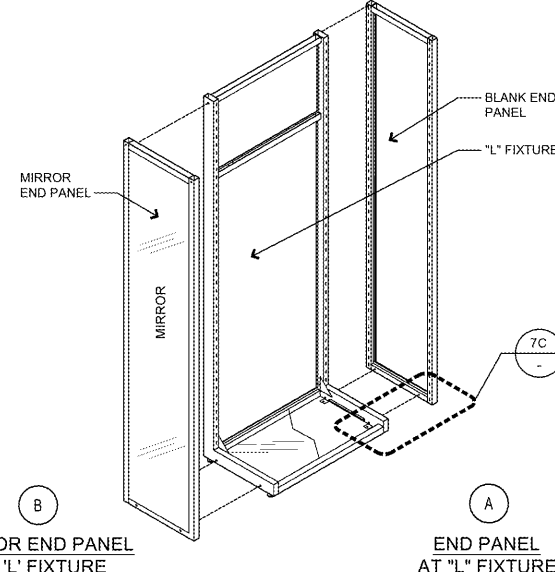
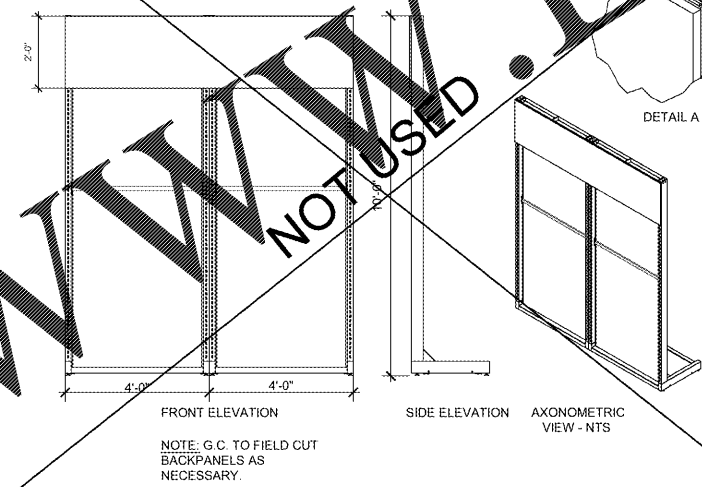
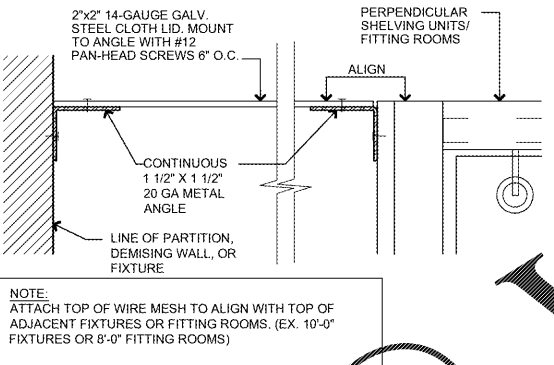
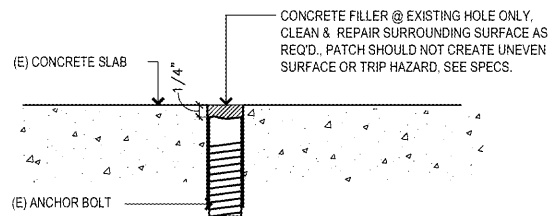
SCALE: NTS  
9

BACKPANEL @ FRONT OF STORE BOOTHSET

SCALE: 1" = 1'-0"  
3

COLUMN MERCHANDISER - 2'-0" & 4'-0"

SCALE: 3/8" = 1'-0"  
3



PATCH HOLES @ (E) ANCHOR BOLTS

SCALE: 6" = 1'-0"  
11

WIREMESH LID @ TOP OF VOID

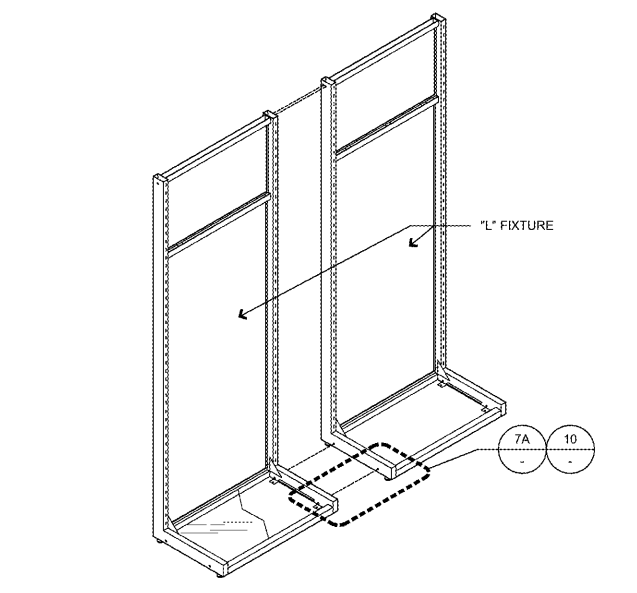
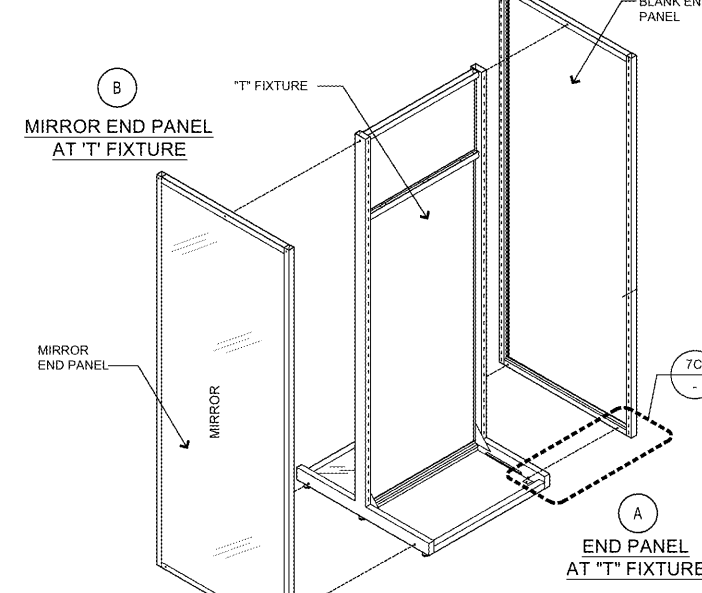
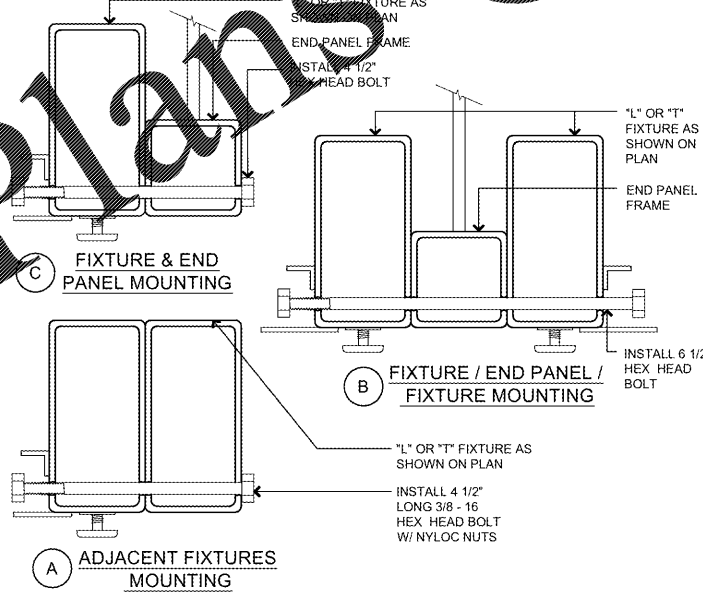
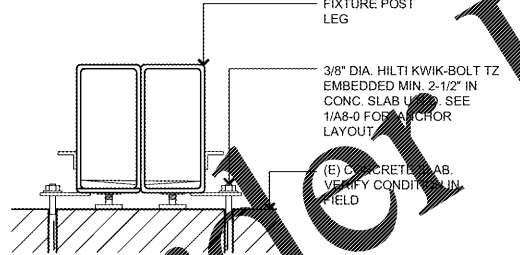
SCALE: NTS  
8

BACKPANEL @ FITTING ROOM "L" FIXTURE - WHITE

SCALE: 3/8" = 1'-0"  
5

END PANEL @ "L" FIXTURES

SCALE: 3/8" = 1'-0"  
2



TYP. FIXTURE ANCHOR @ FLOOR

SCALE: 3" = 1'-0"  
10

"L" & "T" PANEL MOUNTING

SCALE: 3/8" = 1'-0"  
7

END PANEL @ "T" FIXTURES

SCALE: 3/8" = 1'-0"  
4

"L" FIXTURE CONNECTION

SCALE: 3/8" = 1'-0"  
1

NEW STORE

**OLD NAVY**

REP. I.D.: 000054156

STORE NUMBER: 4458

STORE LOCATION: VINELAND 8231 VINELAND AVENUE SUITE 2151 ORLANDO, FLORIDA 32821

DESIGN TYPE: P3  
 GENERATION: 17012  
 PROTOTYPE DATE: 07/18/16  
 OPENING: 2017

CONSULTANT INFO:

PROFESSIONAL STAMP:

ARCHITECT INFO:

**B | R | R**  
 architecture

ARCHITECT OF RECORD: BRR ARCHITECTURE, INC.  
 6700 ANTIOCH PLAZA, SUITE 300, HEBERSHAW, KANSAS 66044

ISSUE TYPE:

PERMIT/BID: 04/07/17

REVISIONS:

DRAWN BY: EE  
 AVE JOB NUMBER: 65013011

TITLE SHEET:  
 BOOTHSET DETAILS

SHEET NUMBER:  
**A8-1**