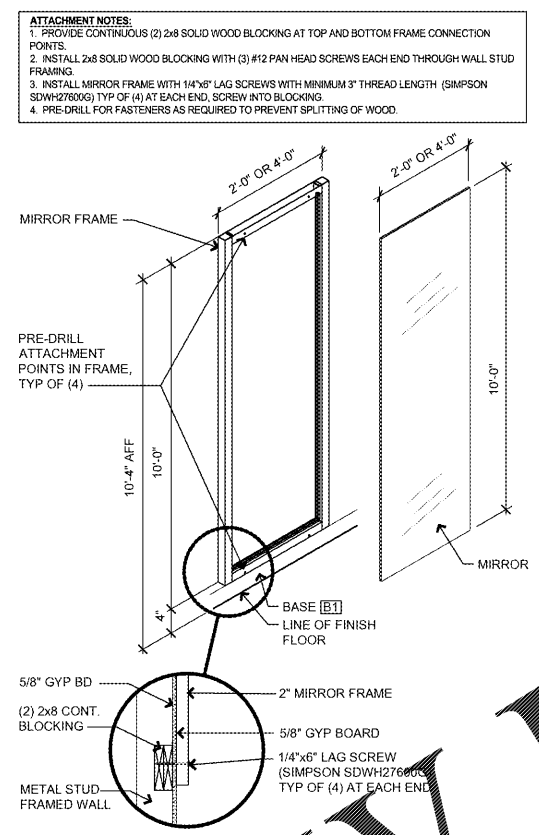
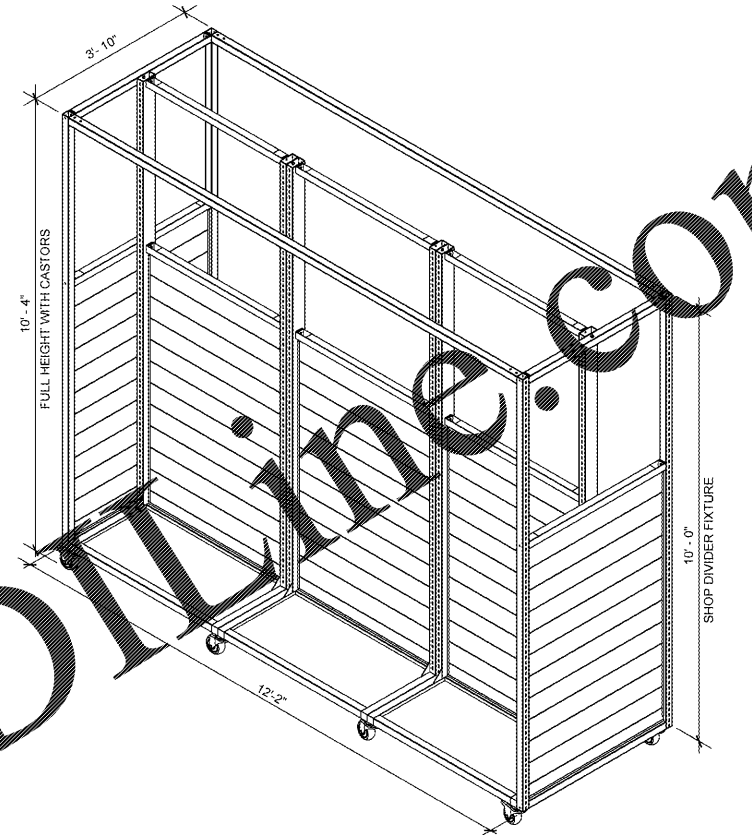


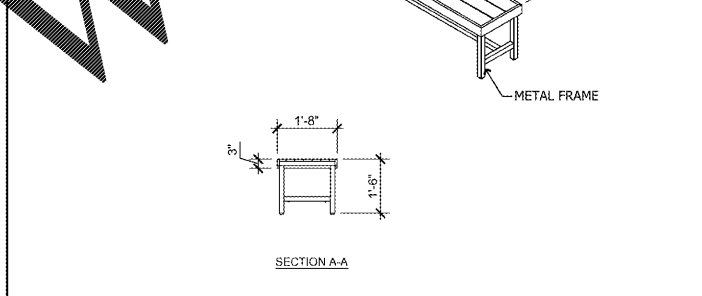
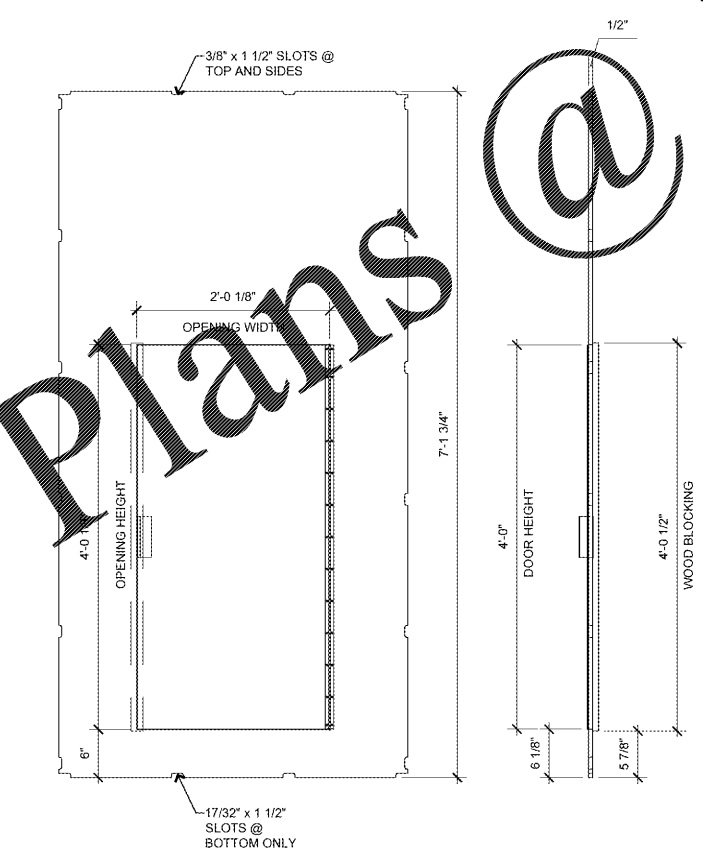
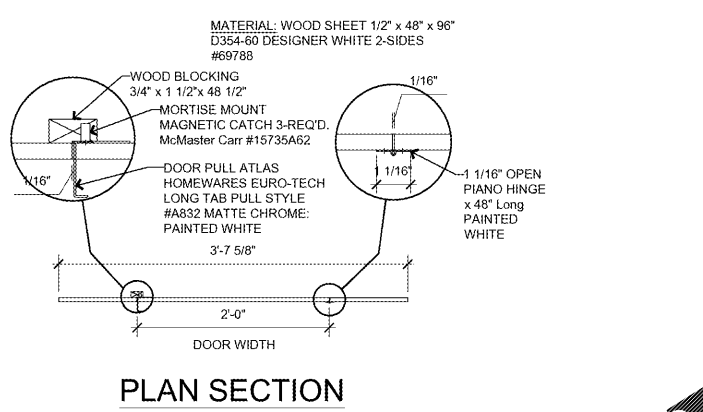
BOOTHSET W/ HINGED DOOR SCALE: 1/2" = 1'-0" 9



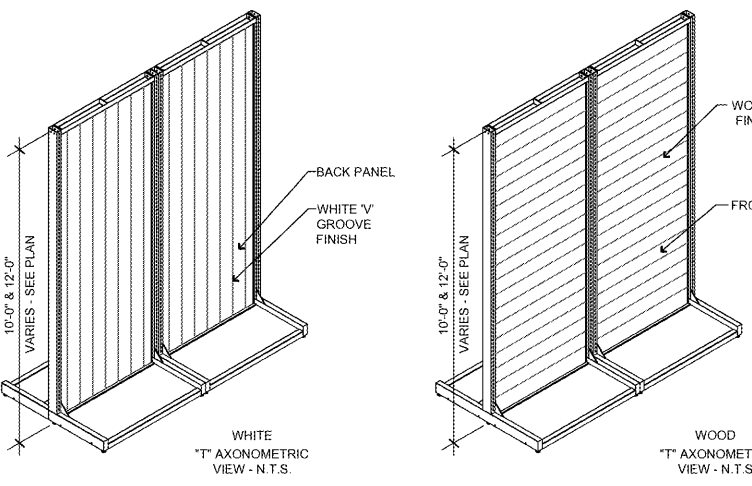
WALL MOUNTED MIRROR END PANEL SCALE: 1/4" = 1'-0" 7



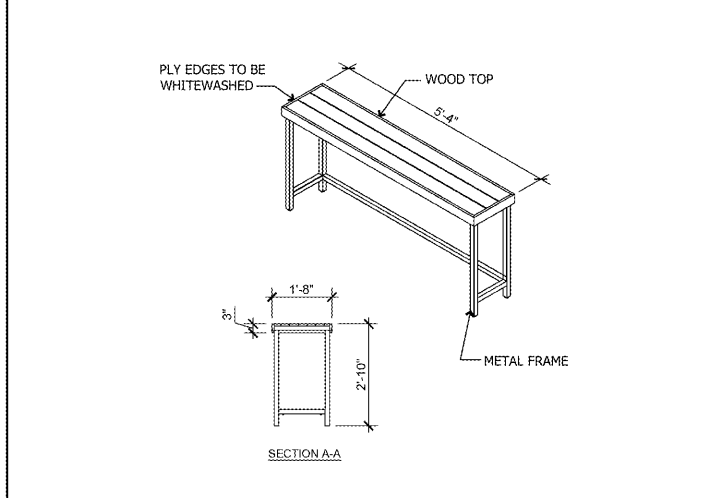
SHOP DIVIDER AXON SCALE: 3/8" = 1'-0" 4



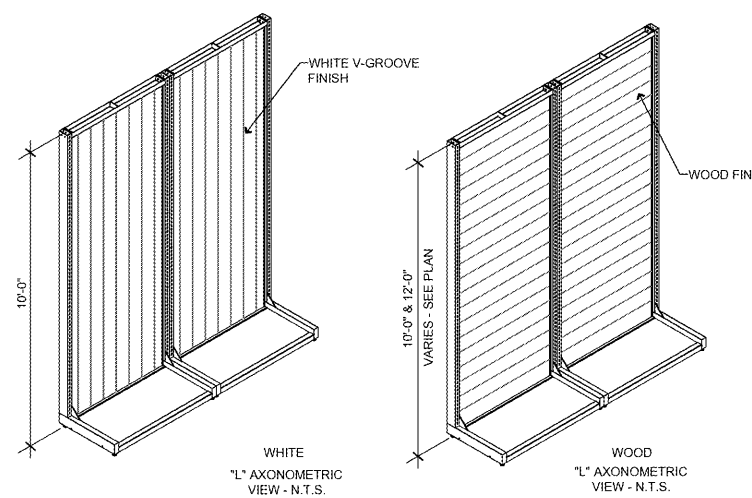
FITTING ROOM LOUNGE BENCH SCALE: 3/8" = 1'-0" 6



"T" FIXTURE - 10'-0" & 12'-0" H SCALE: 3/8" = 1'-0" 3



FITTING ROOM LOUNGE DESK SCALE: 3/8" = 1'-0" 5



"L" FIXTURE - 10'-0" & 12'-0" H SCALE: 3/8" = 1'-0" 2

BOOTHSET W/ HINGED DOOR SCALE: 1" = 1'-0" 8

NEW STORE

OLD NAVY

REP. I.D.: 0000054156

STORE NUMBER: 4458

STORE LOCATION: VINELAND 8231 VINELAND AVENUE SUITE 2151 ORLANDO, FLORIDA 32821

DESIGN TYPE: P3

GENERATION: 17Q12

PROTOTYPE DATE: 07/18/16

OPENING DATE: 2017

CONSULTANT INFO:

PROFESSIONAL STAMP:

ARCHITECT INFO:

B|R|R
architecture

ARCHITECT OF RECORD: BRR ARCHITECTURE, INC.
6700 ANTIOCH PLAZA, SUITE 300, HENRIEVILLE, KANSAS 66044

ISSUE TYPE:

PERMIT/BID: 04/07/17

REVISIONS:

DRAWN BY: EE

A/E JOB NUMBER: 65013011

TITLE SHEET: BOOTHSET ENLARGED PLANS AND DETAILS

SHEET NUMBER: A8-0

Order Plans

WWW.LDOnline.com