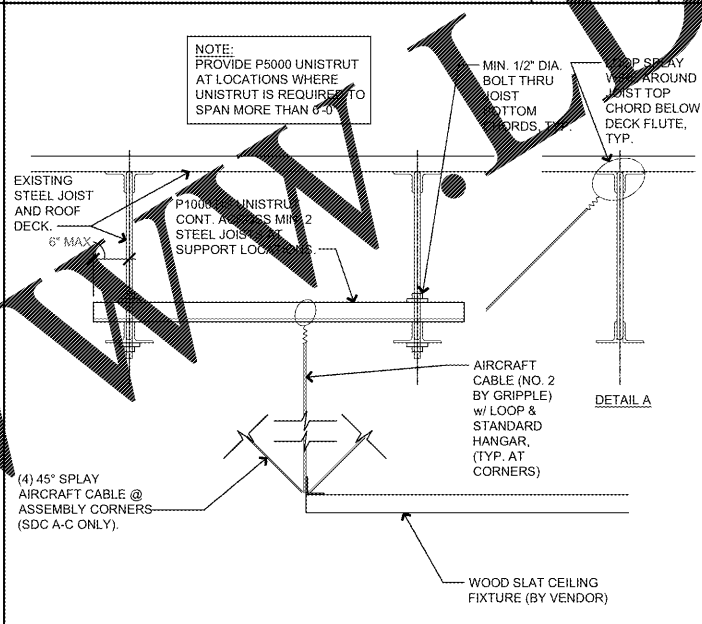
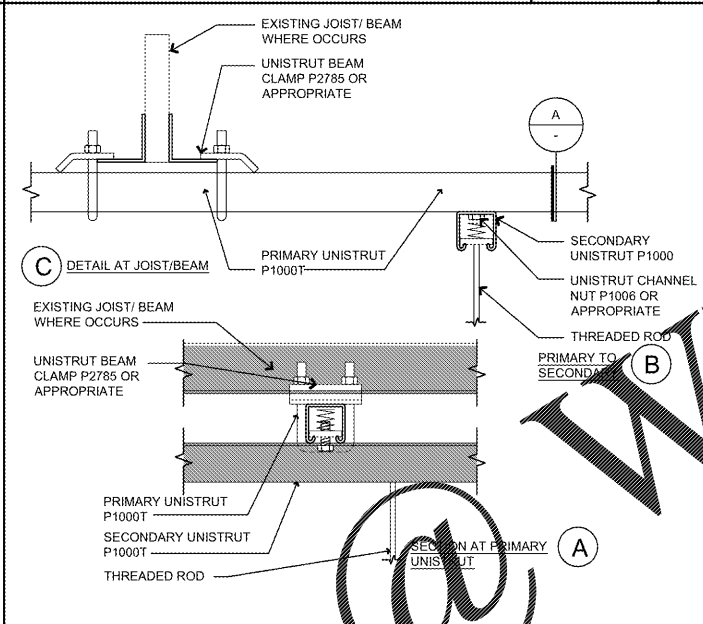
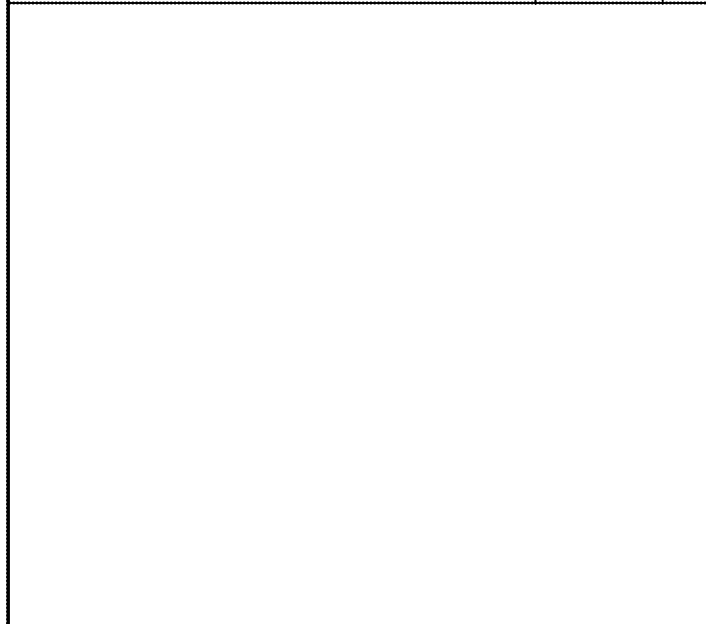


NOT USED SCALE: 12

WOOD SLATS LAYOUT SCALE: 9

WOOD SLAT ASSEMBLY SCALE: 1-0"

OPTIONAL CEILING MOUNTED HANGBAR SCALE: 3

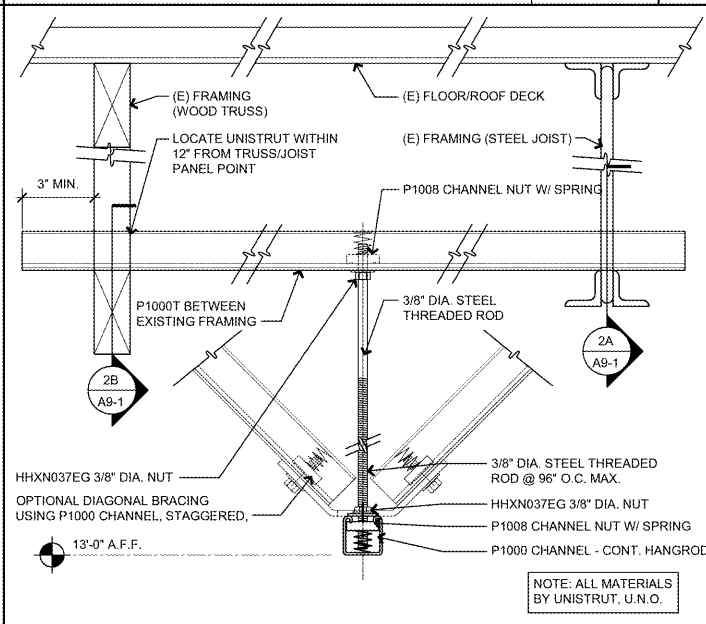
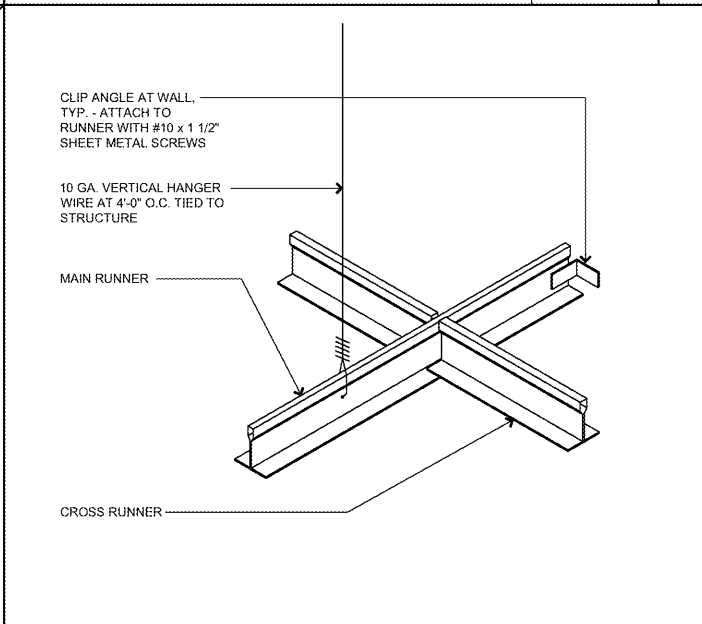
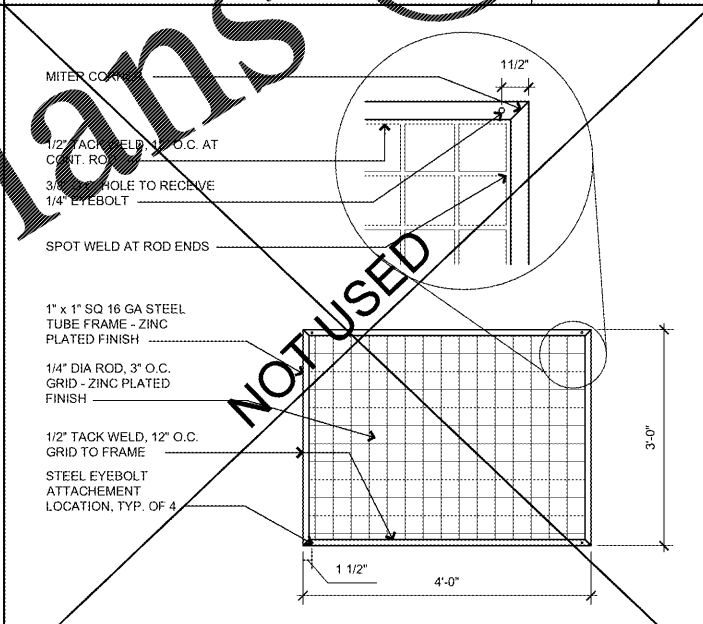
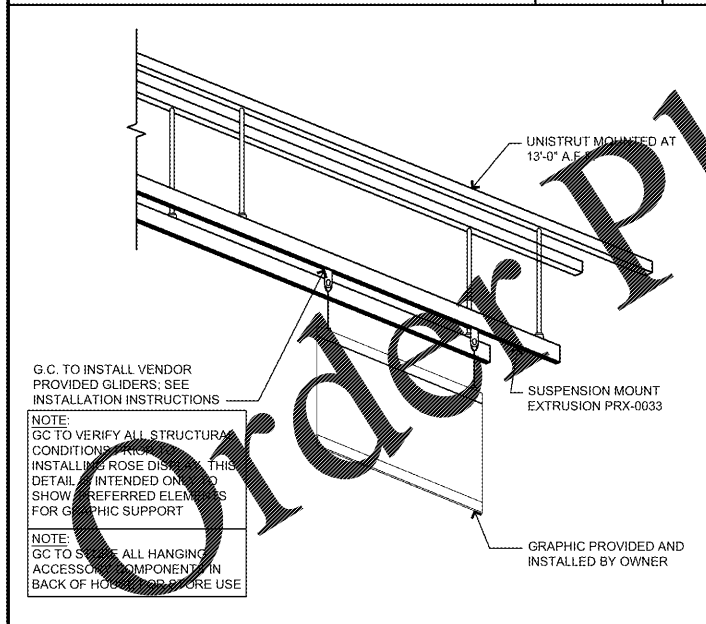


NOT USED SCALE: 11

ENLARGED UNISTRUT DETAILS SCALE: 8

WOOD SLAT CONNECTION SCALE: 5

CEILING MOUNTED HANGROD DETAILS SCALE: 2



ROSE DISPLAY SYSTEM SCALE: 10

MARKETING GRID PLAN AND DETAIL SCALE: 7

ACOUSTICAL CEILING TILE SCALE: 4

CEILING MOUNTED HANGROD SCALE: 1

NEW STORE

OLD NAVY

BRP, INC.
CORPORATE ARCHITECTURE
HARRIS STREET
FRANCO, CA 94105

REPS. I.D.: 000054156

STORE NUMBER: 4458

STORE LOCATION:
VINELAND
8231 VINELAND AVENUE
SUITE 2151
ORLANDO, FLORIDA 32821

DESIGN TYPE: P3
GENERATION: 17Q12
PROTOTYPE DATE: 07/18/16
OPENING DATE: 2017

CONSULTANT INFO:

PROFESSIONAL STAMP:

ARCHITECT INFO:

B|R|R
architecture

ARCHITECT OF RECORD: BRP ARCHITECTURE, INC.
6700 ANTIOCH PLAZA, SUITE 200, HEBERS, KANSAS 66044

ISSUE TYPE:

PERMIT/BID: 04/07/17

REVISIONS:

DRAWN BY: EE
A/E JOB NUMBER: 65013011

TITLE SHEET:
CEILING DETAILS

SHEET NUMBER:
A4-1