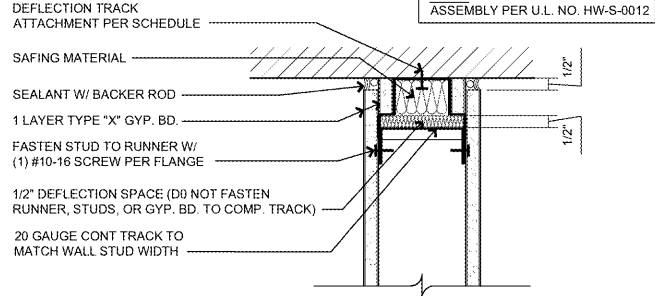


TRACK ATTACHMENT SCHEDULE	
MATERIAL OF BUILDING	2 FASTENERS
CONCRETE SLAB	(2) 0.145" DIA HILTI X-DNI UNIVERSAL PAF @ 16" OC (1-1/4" EMBED)
METAL DECK	(2) #10-16 SCREWS @ 16" OC
METAL DECK W/ CONCRETE	(2) 0.145" DIA HILTI X-DNI UNIVERSAL PAF @ 16" OC (1-1/4" EMBED)
METAL DECK W/ LIGHTWEIGHT FILL (ZONOLITE, GYPSUM)	2 #12-14 X 1" HWH TRAXX/2 IN SUB-DRILLED HOLES

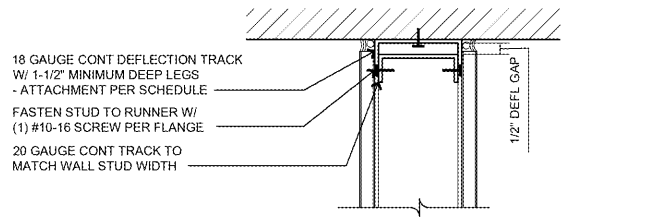


NOTE: ASSEMBLY PER U.L. NO. HW-S-0012

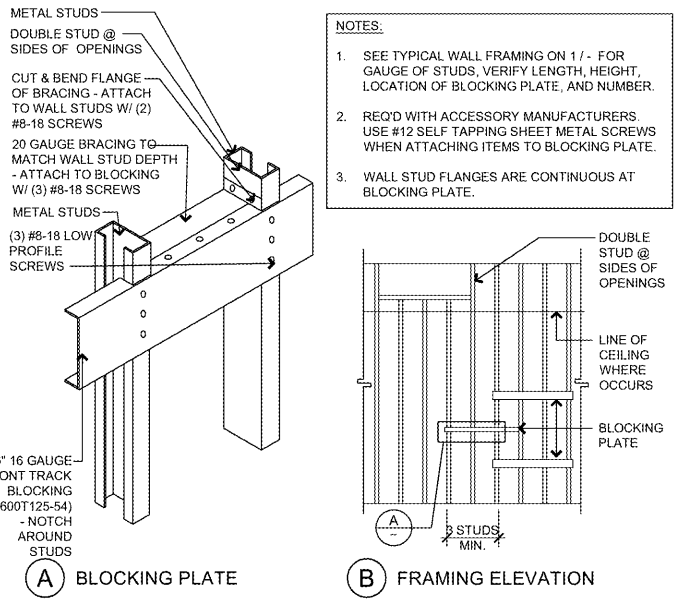
TRACK ATTACHMENT TO STRUCTURE 12b

ATTACHMENT SCHEDULE		
CONSTRUCTION OF (E) FULL-HEIGHT WALL	FASTENERS AT CONT. ANGLE	FASTENERS AT BRACING
BRICK	HILTI X-DNI UNIVERSAL POWDER ACTUATED FASTENERS	BRACING NOT REQUIRED
CMU	HILTI X-DNI UNIVERSAL POWDER ACTUATED FASTENERS	BRACING NOT REQUIRED
CONCRETE	HILTI X-DNI UNIVERSAL POWDER ACTUATED FASTENERS	BRACING NOT REQUIRED
3-5/8" MTL. STUD W/GYP. BD.	#12-14 X 1-1/4" TO EACH STUD	3" X 3" X 20 GA. CLIP ANGLE X 0'-3"
6" MTL. STUD W/GYP. BD.	SAME	2 #8-18 X 1/2" HWH TEKS/2
WOOD	#10 X 2'-2"L TO EACH WALL STUD IN SUB-DRILLED HOLES	BRACE AND TRACK WEBS

DEFLECTION TRACK - RATED SCALE: 3" = 1'-0" 9b



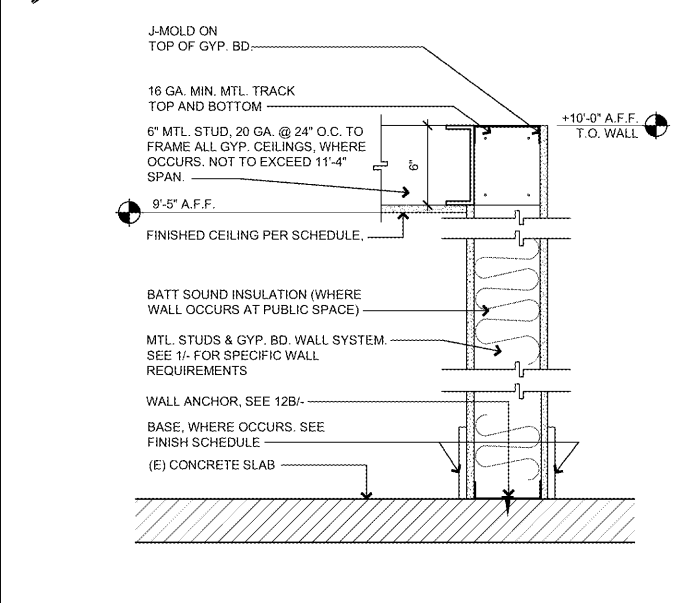
ATTACHMENT @ TOP OF WALL SCALE: N.T.S. 12a



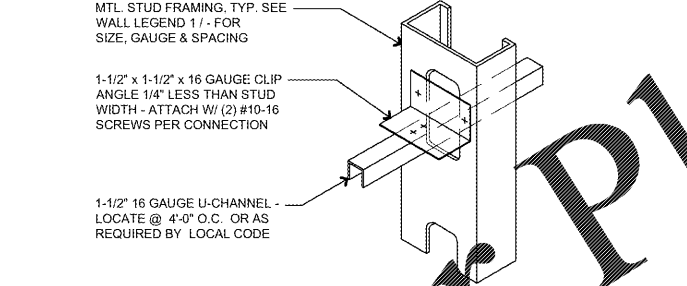
DEFLECTION TRACK - NON-RATED SCALE: 1-1/2" = 1'-0" 9a

NOT USED

FURRED PARTITION W / OPTIONAL CLG. JOIST SCALE: 1-1/2" = 1'-0" 3



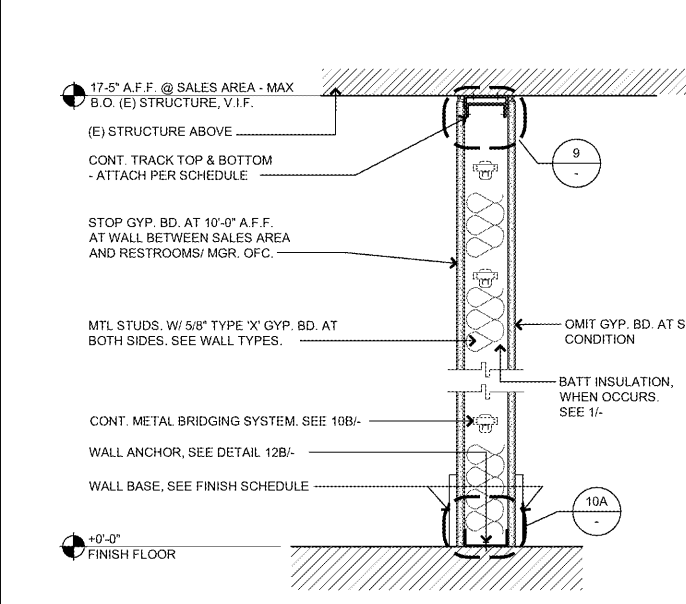
BLOCKING DETAILS SCALE: N.T.S. 11



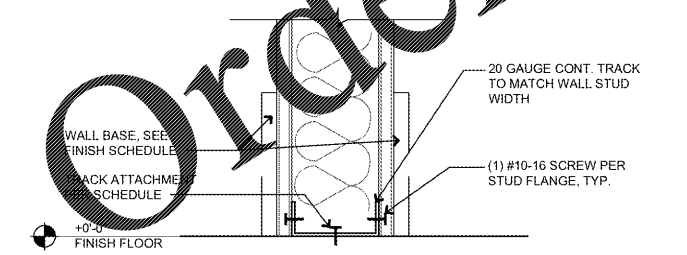
NOT USED SCALE: N.T.S. 8

NOT USED SCALE: N.T.S. 5

NON-RATED PARTITION W / CLG. JOIST SCALE: 1-1/2" = 1'-0" 2

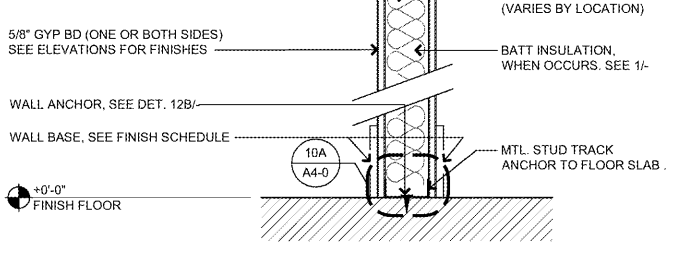


TYPICAL BRIDGING DETAIL SCALE: N.T.S. 10B



NOT USED SCALE: N.T.S. 7

PARTIAL HT. N.R. PARTITION W/ BRACING SCALE: 1-1/2" = 1'-0" 4



BOTTOM TRACK DETAIL SCALE: 3" = 1'-0" 10A

NOT USED SCALE: N.T.S. 7

NOT USED SCALE: N.T.S. 7

PARTIAL HT. N.R. PARTITION W/ BRACING SCALE: 1-1/2" = 1'-0" 4

NON-RATED PARTITION SCALE: 1-1/2" = 1'-0" 1

NON-RATED PARTITION SCALE: 1-1/2" = 1'-0" 1

NEW STORE

**OLD NAVY**

REP. I.D.: 0000054156

STORE NUMBER: 4458

STORE LOCATION: VINELAND 8231 VINELAND AVENUE SUITE 2151 ORLANDO, FLORIDA 32821

DESIGN TYPE: P3  
 GENERATION: 17012  
 PROTOTYPE DATE: 07/18/16  
 OPENING: 2017

CONSULTANT INFO:

PROFESSIONAL STAMP:

ARCHITECT INFO:

**B | R | R**  
 architecture

ARCHITECT OF RECORD: BRR ARCHITECTURE, INC.  
 6700 ANTIOCH PLAZA, SUITE 300, HENRIETTA, KANSAS 66204

ISSUE TYPE:

PERMIT/BID: 04/07/17

REVISIONS:

DRAWN BY: EE  
 A/E JOB NUMBER: 65013011

TITLE SHEET:  
 PARTITION DETAILS AND WALL TYPES

SHEET NUMBER: A4-0