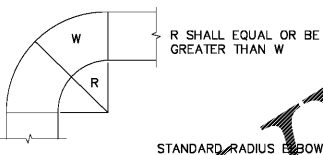
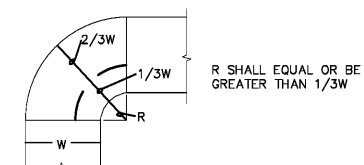
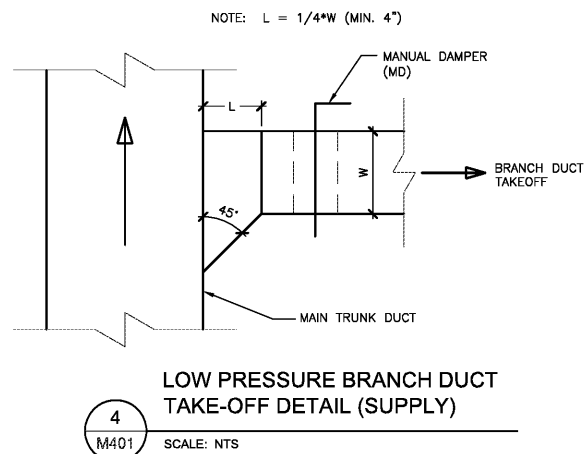
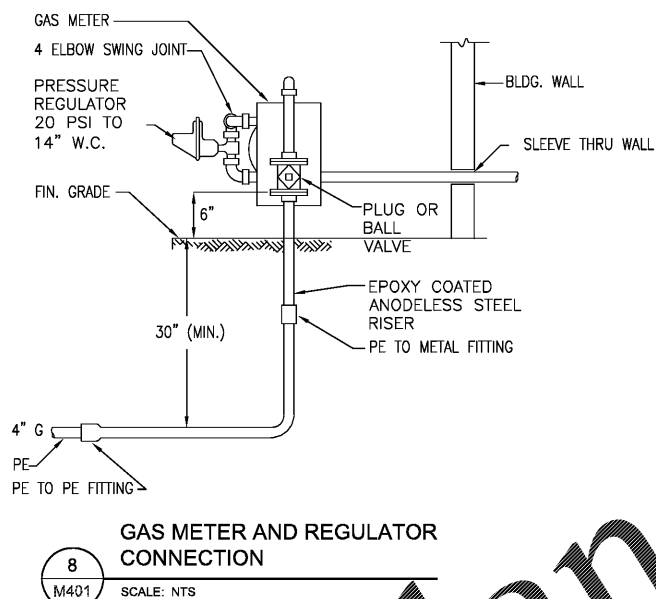
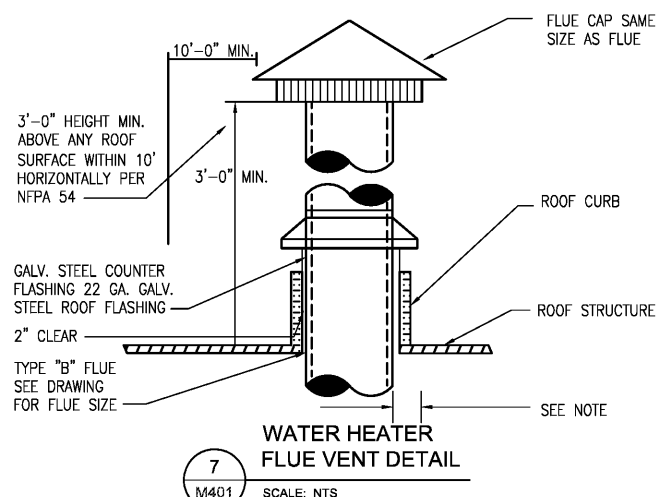


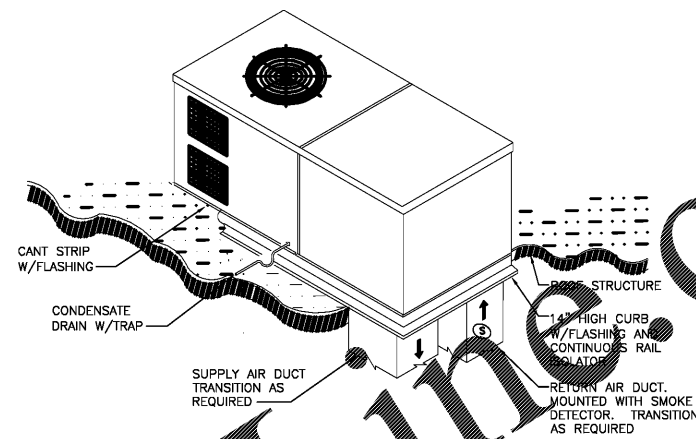
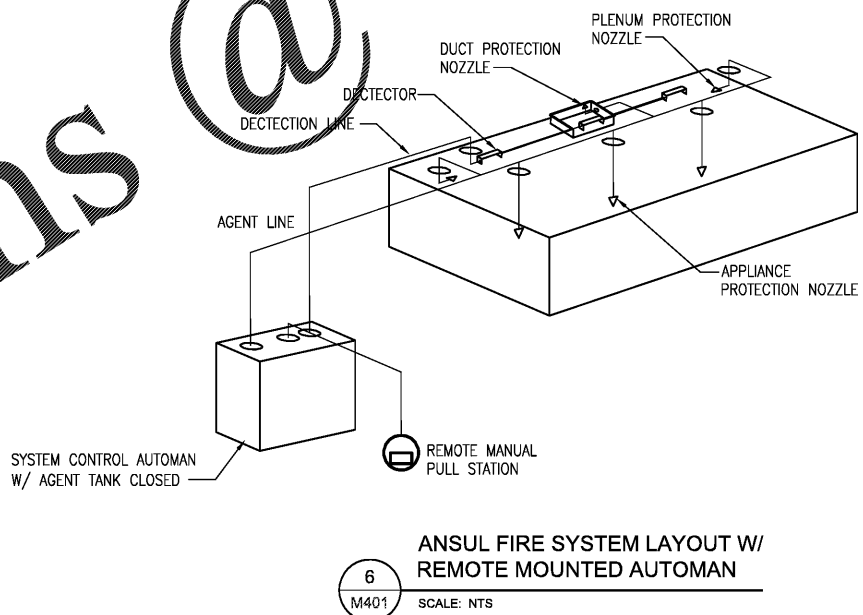
NOTE:

IT SHALL BE THE RESPONSIBILITY OF THE INSTALLING CONTRACTOR TO PROVIDE CLEARANCE AS SPECIFIED BY APPLICABLE GOVERNING CODES. CLEARANCE REQUIREMENTS SHALL BE BASED ON RATINGS OF MATERIALS FOR FLUE PIPE, STRUCTURAL, ROOFING, ETC.



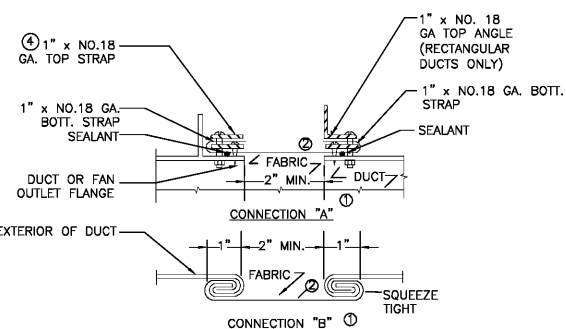
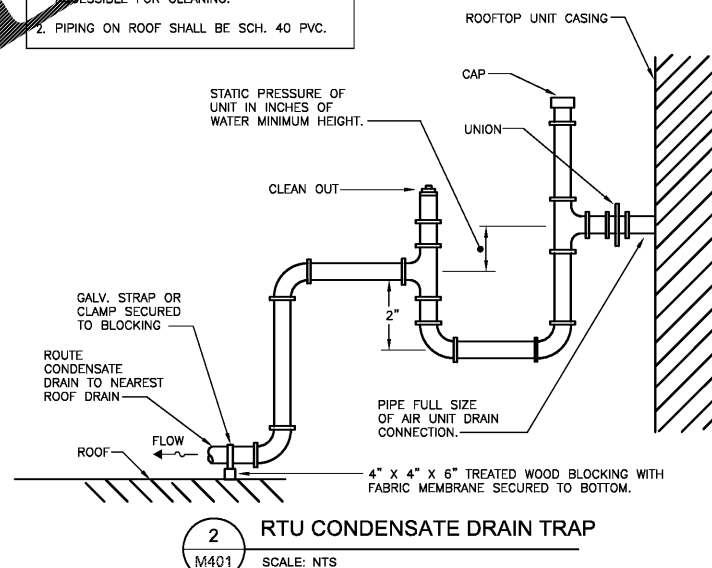
NOTES:  
 1. THE INTERIOR SURFACE OF ALL RADIUS ELBOWS SHALL BE MADE ROUND.  
 2. STANDARD RADIUS ELBOWS SHOWN ON PLANS MAY BE MADE SHORT RADIUS ELBOWS ONLY WHERE RESTRICTIONS OF AVAILABLE SPACE. ALL SHORT RADIUS ELBOWS SHALL HAVE VANES. VANES SHALL BE CONSTRUCTED, SUPPORTED AND FASTENED AS RECOMMENDED BY SMACNA.

5 RADIUS ELBOWS  
 SCALE: NTS



NOTE: FURNISH AND INSTALL PROPER CURB AND FLASHING AS REQUIRED.

NOTES:  
 1. LOCATE TRAPS SO AS TO BE ACCESSIBLE FOR CLEANING.  
 2. PIPING ON ROOF SHALL BE SCH. 40 PVC.



1 USE FLEXIBLE CONNECTION "A" FOR RECTANGULAR DUCTS WITH GREATEST DIMENSION 31" OR LARGER, & FOR ALL ROUND DUCTS. USE CONNECTION "B" FOR RECTANGULAR DUCTS WITH GREATEST DIMENSION LESS THAN 31".

3 FLEXIBLE DUCT CONNECTION  
 SCALE: NTS

DESIGN BUILD  
**BLACKWATER CONSTRUCTION GROUP, LLC**  
 2200 SATELLITE BLVD, DULUTH GA 30092  
 TEL: (770) 251-3569

DESIGN CONSULTANTS  
**DESIGN SOLUTIONS LLC**  
 4000 WOODBRIDGE DR, SUITE 100, DUBLIN GA 31028  
 Phone: 404-740-7527

ARCHITECT OF RECORD  
**ROBERT J LARA, AIA**  
 8450 SW 201 ST.  
 CUTLER BAY, FL 33189

STRUCTURAL  
**ENGQUEST**  
 3550 ENGINEERING DRIVE, SUITE 175  
 PEACHTREE CORNERS, GA 30092  
 TEL: (678) 906-4670  
 www.engquest.com

MEP  
**ENGQUEST**  
 3550 ENGINEERING DRIVE, SUITE 175  
 PEACHTREE CORNERS, GA 30092  
 TEL: (678) 906-4670  
 www.engquest.com

NOTES:

REVISION #	DATE	REMARKS

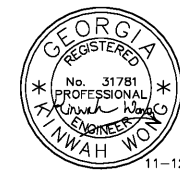
ISSUE DATE	ISSUED TO:	ISSUED FOR:
10-22-2014	COUNTY	PERMITS

PROJECT ADDRESS:  
**MASJID AL-MOMINEEN**  
 837 NORTH INDIAN CREEK DRIVE  
 CLARKSTON, DEKALB COUNTY  
 GEORGIA, 30021

LAYOUT:  
**MECHANICAL DETAILS**

PAPER SIZE: 24X36 (ARCH D)  
 SCALE: AS NOTED

SHEET NUMBER:  
**M401**



Order Plans