

DESIGN BUILD
BLACKWATER CONSTRUCTION GROUP, LLC
 2200 SATELLITE BLVD, DULUTH GA 30092
 404-740-7589

DESIGN CONSULTANTS
DESIGN SOLUTIONS LLC
 1150 SANDS BLVD, SUITE 100
 ATLANTA, GA 30328
 Phone: 404-740-7589

ARCHITECT OF RECORD
ROBERT J LARA, AIA
 8450 SW 291 ST.
 CUTLER BAY, FL 33189

STATE OF GEORGIA
 ROBERT JERRY LARA
 REGISTERED ARCHITECT
 Nov 9 2014

STRUCTURAL
ENGQUEST
 3550 ENGINEERING DRIVE, SUITE 115
 PEACHTREE CORNERS, GA 30092
 TEL: (404) 966-8679
 www.engquest.com

MEP
ENGQUEST
 3550 ENGINEERING DRIVE, SUITE 115
 PEACHTREE CORNERS, GA 30092
 TEL: (404) 966-8679
 www.engquest.com

NOTES:

REVISION #	DATE	REMARKS

ISSUE DATE	ISSUED TO:	ISSUED FOR:
10-02-2014	COUNTY	PERMITS

PROJECT ADDRESS:
MASJID AL-MOMINEEN
 837 NORTH INDIAN CREEK DRIVE
 CLARKSTON, DEKALB COUNTY
 GEORGIA, 30021

LAYOUT:
DOOR WINDOW SCHEDULE

PAPER SIZE: 24X36 (ARCH D)
 SCALE: AS NOTED

SHEET NUMBER:
A111

DOOR SCHEDULE:

MARK	TYPE	DIMENSIONS		DOOR PANEL TYPE	GLASS TYPE	TINT TYPE	DOOR FRAME TYPE	DOOR FRAME FINISH	HARD WARE	ACCESSIBLE PUSH BUTTON	FIRE RATING	REMARKS
		WIDTH (CLEAR)	HEIGHT									
D100	ENTRANCE DOOR	6'-0"	10'-6"	INS. GL.	TEMPERED	BLUSH REFLECTIVE	ALUMINUM	ANODIZED	PUSH/PANIC, ADC	YES	X	1'-6" CLEAR WITH 2' TRANSOM
D101	STAIRCASE DOOR	3'-0"	1'-0"	MCW	X	X	HM	PAINT	PUSH/PANIC, ADC	X	1" HOUR	10" LABEL
D102	TOILET DOOR	3'-0"	1'-0"	MCW	X	X	HM	POLISH	X	X	X	
D103	INTERIOR DOOR	3'-0"	1'-0"	X	X	X	HM	PAINT	X	X	X	
D104	UTILITY RM. DOOR	3'-0"	6'-8"	SCW	X	X	HM	PAINT	X	X	1/2" HOUR	10" LABEL
D105	INTERIOR DOOR	6'-0"	8'-0"	INS. GL.	TEMPERED	CLEAR	HM	PAINT	X	X	X	1" TRANSOM WITH TEMPERED GLASS
D106	EXTERIOR DOOR	3'-0"	1'-6"	INS. GL.	TEMPERED	CLEAR	ALUMINUM	ANODIZED	PUSH/PANIC, ADC	X	X	1" TRANSOM WITH TEMPERED GLASS
D107	EXTERIOR DOOR	3'-0"	1'-6"	MCW	X	X	HM	PAINT	X	X	X	1" TRANSOM WITH TEMPERED GLASS
D108	INTERIOR DOOR	3'-0"	1'-6"	MCW	X	X	HM	PAINT	X	X	X	1" TRANSOM WITH TEMPERED GLASS

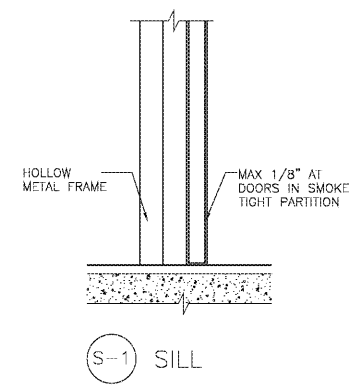
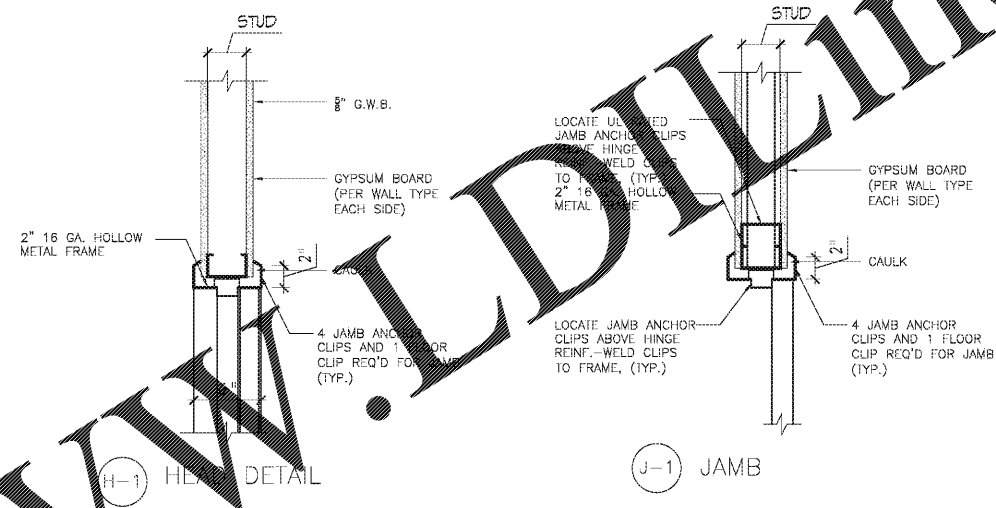
WINDOW SCHEDULE:

MARK	TYPE	DIMENSIONS			GLASS TYPE	TINT TYPE	FRAME TYPE	FRAME FINISH	FIXED/ OPENABLE	FIRE RATING	REMARKS
		WIDTH (CLEAR)	SILL	HEIGHT							
W001	EXTERIOR WINDOW	4'-0"	2'-8"	5'-0"	TEMPERED	BLUSH REFLECTIVE	ALUMINUM	ALUMINUM	FIXED	NR	LINTEL HEIGHT: 1'-8"
W01	EXTERIOR WINDOW	4'-0"	3'-0"	1'-0"	TEMPERED	BLUSH REFLECTIVE	ALUMINUM	ALUMINUM	FIXED	NR	LINTEL HEIGHT: 10'-0"
W01A	INTERIOR WINDOW	4'-0"	3'-0"	1'-0"	TEMPERED	BLUSH REFLECTIVE	ALUMINUM	ALUMINUM	FIXED	NR	LINTEL HEIGHT: 10'-0"
W02	EXTERIOR WINDOW	4'-0"	3'-0"	6'-0"	TEMPERED	BLUSH REFLECTIVE	ALUMINUM	ALUMINUM	FIXED	NR	LINTEL HEIGHT: 9'-0"
W02A	INTERIOR WINDOW	4'-0"	3'-0"	6'-0"	TEMPERED	BLUSH REFLECTIVE	ALUMINUM	ALUMINUM	FIXED	NR	LINTEL HEIGHT: 9'-0"
W022	INTERIOR WINDOW	6'-0"	3'-0"	4'-0"	TEMPERED	BLUSH REFLECTIVE	ALUMINUM	ALUMINUM	FIXED	NR	LINTEL HEIGHT: 1'-0"
W023	INTERIOR WINDOW	8'-0"	0'-8"	1'-0"	TEMPERED	BLUSH REFLECTIVE	ALUMINUM	ALUMINUM	FIXED	NR	LINTEL HEIGHT: 1'-8". PROVIDE SAFETY GLASS TO A HT. OF 42" FROM FINISH FLOOR

CASED OPENING:

MARK	TYPE	DIMENSIONS	
		WIDTH (CLEAR)	HEIGHT
CO-1	CASED OPENING	3'-0"	1'-6"
CO-2	CASED OPENING	6'-6"	8'-0"
CO-3	CASED OPENING	3'-0"	1'-6"

LEGEND
 WD = WOOD
 GL = GLASS
 INS = INSULATED
 HM = HOLLOW METAL
 MCW = METAL CLAD WOOD
 HCW = HOLLOW CORE WOOD
 F = FLUSH
 FG = FLUSH W/ GLASS
 FHG = FLUSH W/ HALF GLASS
 ALUM = ALUMINUM STOREFRONT
 RP = RAISED PANEL
 OH = OVERHEAD
 V = VERTICAL
 SL = SLIDING
 RJ = ROLL UP
 UG = UNDER
 ADC = AUTOMATIC DOOR CLOSER



Order Plans

WWW.LDOnline.com