

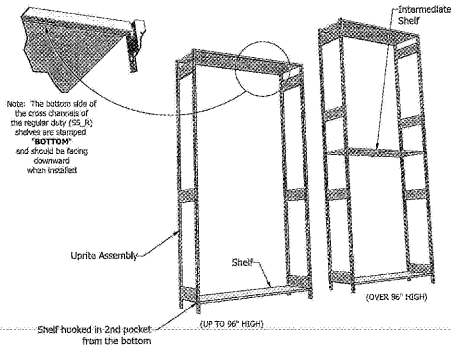
INSTALLATION INSTRUCTIONS

9-SERIES STORAGE SHELVING
BASIC SYSTEM ASSEMBLY INSTRUCTIONS

STARTER SECTION

CAUTION: AT LEAST TWO PEOPLE ARE REQUIRED TO STABILIZE THE SYSTEM DURING ASSEMBLY.

WARNING: REFERENCE PAGE 21 FOR PRODUCT SAFETY INFORMATION.



- Hold two (2) upright assemblies vertical and hook tabs of a shelf into the 2nd pocket from the floor.
- Insert a shelf near the top of the upright and install an intermediate shelf on later sections. (Over 96" high). This will help stabilize the section. Reference pages 18 & 17 for shelf styles and for proper shelf orientation.

WARNING: TO STABILIZE THE FINISHED SYSTEM, A BOTTOM SHELF SHOULD BE INSTALLED WITHIN 6" OF THE FLOOR (UNLESS FLOOR ANCHORS ARE USED. SEE PAGE 7) AND A TOP SHELF WITHIN 12" OF THE TOP OF THE UPRITE, AND SHELVES SPACED NO MORE THAN 48" IN EACH SECTION OR THE RUN TO MEET THE RATED LOAD CARRYING CAPACITY OF THE SYSTEM. SEE SYSTEM & SHELF LOAD CAPACITIES PAGES 16 & 17.

LOFASER 6336 PERSHING DRIVE
OMAHA, NEBRASKA 68113 (800) 228-9882 01-06 REV. AA
PCDP 6138 1/02/2008 PAGE 3 OF 21

INSTALLATION INSTRUCTIONS

9-SERIES STORAGE SHELVING

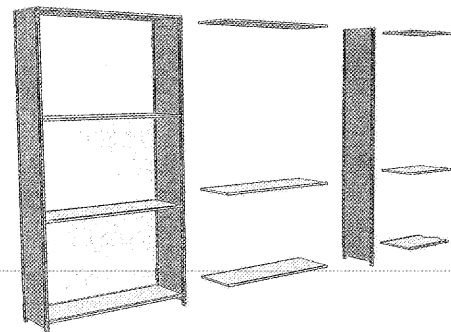
CLOSED WOOD STORAGE SHELVING ASSEMBLY INSTRUCTIONS

ADDING SECTIONS:

4. Hook shelf tabs into pockets in line with one of the center shelves of the starter section. Hook tabs at other end of shelf into pockets of free ends. Install remainder of shelves at required positions. Crossbraces or steel backs should be attached as instructed by **SYSTEM STABILIZING REQUIREMENTS** Pages 19 & 20.

WARNING: SOLID WOOD BACKS MUST BE LOCKED, AT A MINIMUM, AS SHOWN BY **SYSTEM STABILIZING REQUIREMENTS PAGES 19 & 20.**

WARNING: THE SHELVES MUST BE LEVEL AND EACH CORNER MUST FULLY ENGAGE THE UPRITE POCKET.



LOFASER 6336 PERSHING DRIVE
OMAHA, NEBRASKA 68113 (800) 228-9882 01-06 REV. AA
PCDP 6138 1/02/2008 PAGE 10 OF 21

INSTALLATION INSTRUCTIONS

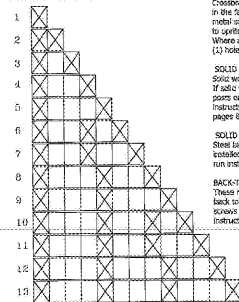
9-SERIES STORAGE SHELVING
SYSTEM STABILIZING REQUIREMENTS

WARNING: ALL RUNS OF STORAGE SHELVING MUST HAVE AT LEAST TWO SECTIONS Laterally Stabilized, AS SHOWN BELOW. (EXCEPT A SINGLE FREE STANDING SECTION)

RUNS MUST BE STABILIZED ON THE END OR STARTER SECTION, AND STABILIZED, AT MINIMUM, ON EVERY FOURTH SECTION THEREAFTER, PLUS STABILIZED ON THE LAST SECTION. FAILURE TO DO THIS MAY RESULT IN PERSONAL INJURY AND PROPERTY DAMAGE.

EXAMPLES OF STABILIZER LOCATIONS:

NUMBER OF SECTIONS



CROSSBRACE

Crossbraces must be fastened into the shelf hole in the face of the upright post with #8 x 3/8" sheet metal screws. DO NOT use pop rivets to fasten crossbraces to uprights. Start at the bottom as shown on page 20. Where adjacent sections have braces, offset the braces (L) hole on the common upright post.

SOLID WOOD BACKS

Solid wood back panels may be used in place of crossbraces. If solid wood back panels are used in back-to-back runs, the joints on the other side must have crossbraces. Back-to-back instructions for **CLOSED WOOD STORAGE SHELVING** page 8 thru 11.

SOLID STEEL BACKS

Steel back panels may be used in place of crossbraces. Screws must be installed in all six locations of the steel back panels. See back-to-back instructions for **STEEL STORAGE SHELVING** pages 12 thru 15.

BACK-TO-BACK RUN BRACING

These runs may show common bracing only if the back to back upright posts are securely braced together with bracing or into back-to-back connections. See back to back instructions for individual styles of storage shelving.

NOTE: The style and quantity of cross-braces in each braced section depends on the height of the uprights, as shown on page 20.

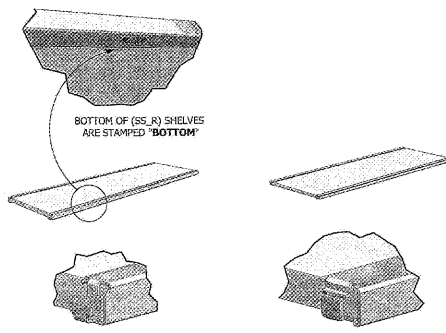
LOFASER 6336 PERSHING DRIVE
OMAHA, NEBRASKA 68113 (800) 228-9882 01-06 REV. AA
PCDP 6138 1/02/2008 PAGE 19 OF 21

INSTALLATION INSTRUCTIONS

9-SERIES STORAGE SHELVING
SHELF OPTIONS AND SYSTEM LOAD CAPACITIES

WARNING: REFERENCE PAGE 21 FOR PRODUCT SAFETY INFORMATION

NOTE STYLE AND PROPER ORIENTATION OF SHELF HOLES



Regular Duty storage shelf (SS_R)
500 lbs. per shelf
evenly distributed

Heavy Duty storage shelf (SS_H)
600 lbs. per shelf
evenly distributed

LOFASER 6336 PERSHING DRIVE
OMAHA, NEBRASKA 68113 (800) 228-9882 01-06 REV. AA
PCDP 6138 1/02/2008 PAGE 16 OF 21

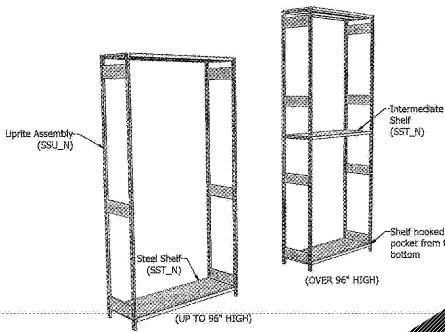
INSTALLATION INSTRUCTIONS

9-SERIES STORAGE SHELVING
STEEL STORAGE SHELVING ASSEMBLY INSTRUCTIONS

STARTER SECTION

CAUTION: AT LEAST TWO PEOPLE ARE REQUIRED TO STABILIZE THE SYSTEM DURING ASSEMBLY.

WARNING: REFERENCE PAGE 21 FOR PRODUCT SAFETY INFORMATION.



- Hold two (2) upright assemblies vertical and hook tabs of a shelf into the 2nd pocket from the floor.
- Insert a shelf near the top of the uprights and install an intermediate shelf on later uprights. (Over 96" high). This will help stabilize the section. Reference pages 18 & 17 for shelf styles and for proper shelf orientation.

WARNING: TO STABILIZE THE FINISHED SYSTEM, A BOTTOM SHELF SHOULD BE INSTALLED WITHIN 6" OF THE FLOOR (UNLESS FLOOR ANCHORS ARE USED. SEE PAGE 7) AND A TOP SHELF WITHIN 12" OF THE TOP OF THE UPRITE, AND SHELVES SPACED NO MORE THAN 48" IN EACH SECTION OR THE RUN TO MEET THE RATED LOAD CARRYING CAPACITY OF THE SYSTEM. SEE SYSTEM & SHELF LOAD CAPACITIES PAGES 16 & 17.

LOFASER 6336 PERSHING DRIVE
OMAHA, NEBRASKA 68113 (800) 228-9882 01-06 REV. AA
PCDP 6138 1/02/2008 PAGE 16 OF 21

INSTALLATION INSTRUCTIONS

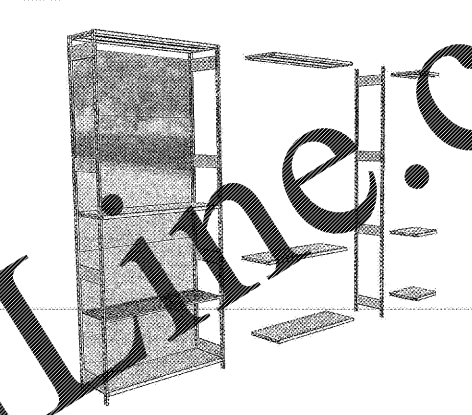
9-SERIES STORAGE SHELVING
STEEL STORAGE SHELVING ASSEMBLY INSTRUCTIONS

ADDING SECTIONS:

4. Hook shelf tabs into pockets in line with one of the center shelves of the starter section. Hook tabs at other end of shelf into pockets of free ends. Install remainder of shelves at required positions. Crossbraces or steel backs should be attached as instructed by **SYSTEM STABILIZING REQUIREMENTS** Pages 19 & 20.

WARNING: DO NOT USE POP RIVETS TO FASTEN CROSSBRACES OR BACKS TO UPRITES. ALWAYS USE #8 SHEET METAL SCREWS. BRACES MUST BE LOCATED AS SHOWN BY **SYSTEM STABILIZING REQUIREMENTS PAGES 19 & 20.**

WARNING: THE SHELVES MUST BE LEVEL AND EACH CORNER MUST ENGAGE THE UPRITE POCKET.



LOFASER 6336 PERSHING DRIVE
OMAHA, NEBRASKA 68113 (800) 228-9882 01-06 REV. AA
PCDP 6138 1/02/2008 PAGE 14 OF 21

FOR REFERENCE ONLY

CONSULTANTS

ARCHITECTURAL SEAL

DATE ISSUE

DATE REVISION NAME

PROJECT NAME / LOCATION

FIVE BELOW

FAYETTEVILLE PAVILION
110 PAVILION PARKWAY, SPACE 110A
FAYETTEVILLE, GA 30214

PROJECT INFORMATION

DATE: APRIL 07, 2017
PROJECT NO.: 170238
DELIVERY TYPE: V-BOX

SHEET TITLE / NUMBER

GONDOLA & SHELVING
DETAILS

F2.1