

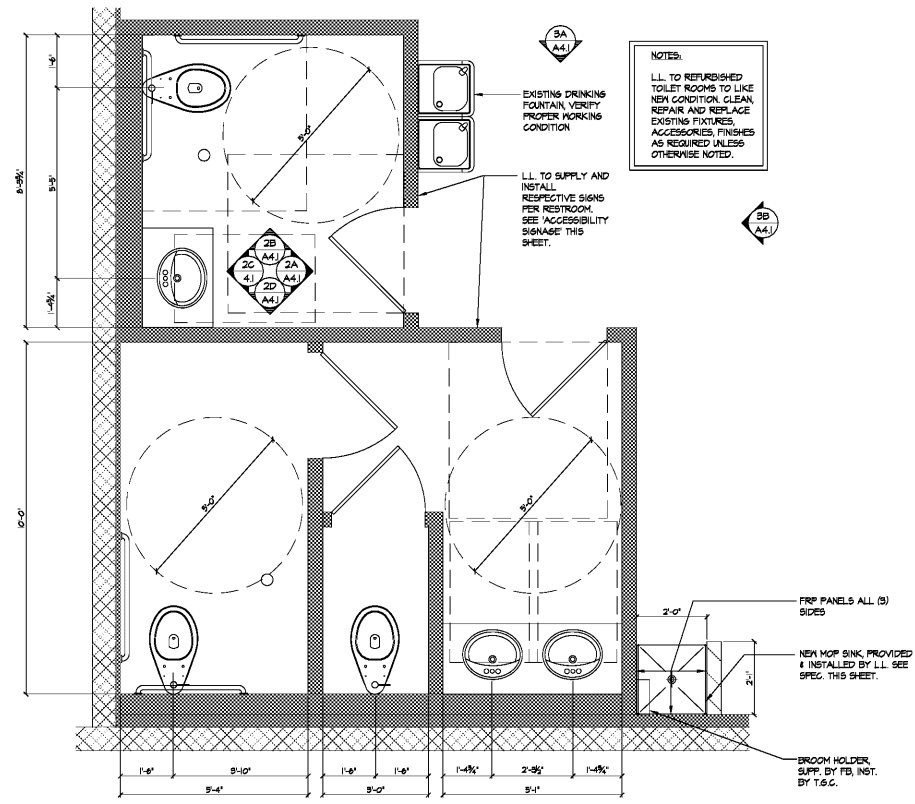
CONSULTANTS
ARCHITECTURAL SEAL

DATE	ISSUE

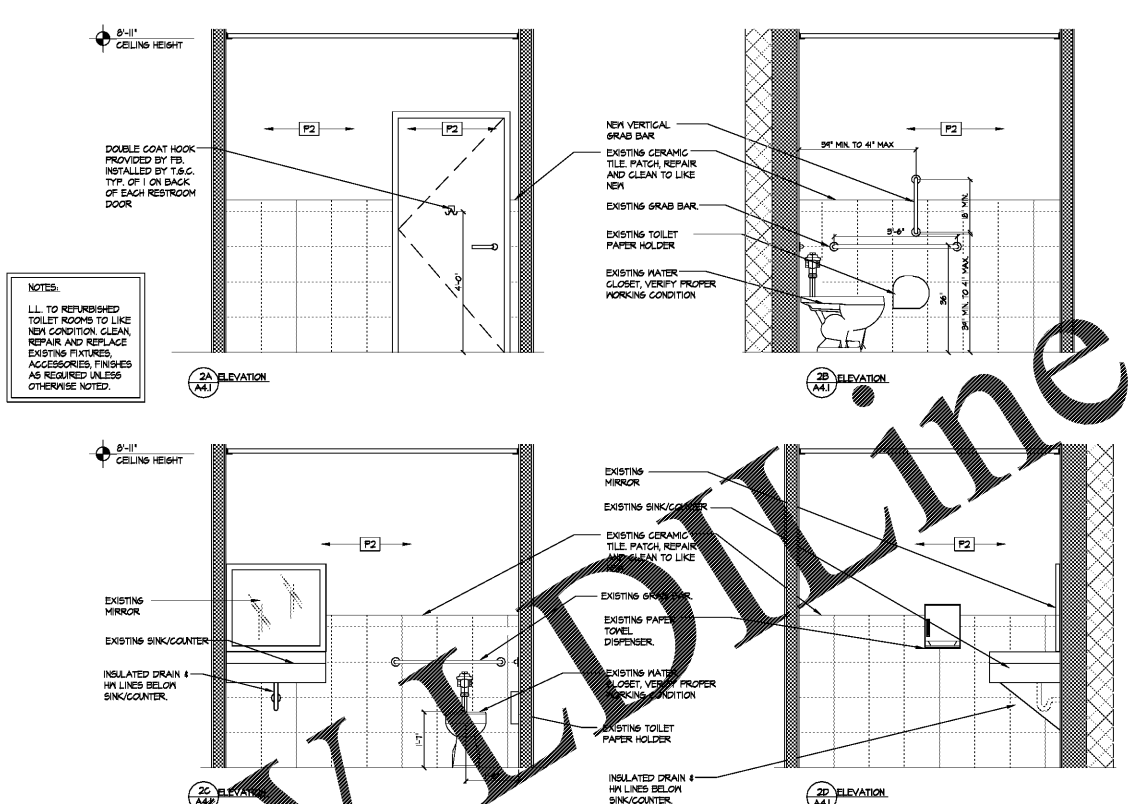
24/07/17	PERMIT / OWNER

<b>five BELOW</b>
FAYETTEVILLE PAVILION 110 PAVILION PARKWAY, SPACE 110A FAYETTEVILLE, GA 30214
PROJECT INFORMATION
DATE: APRIL 07, 2017
PROJECT NO.: 170238
DELIVERY TYPE: V-BOX
DRAWN: TMO
CHECKED: GSW

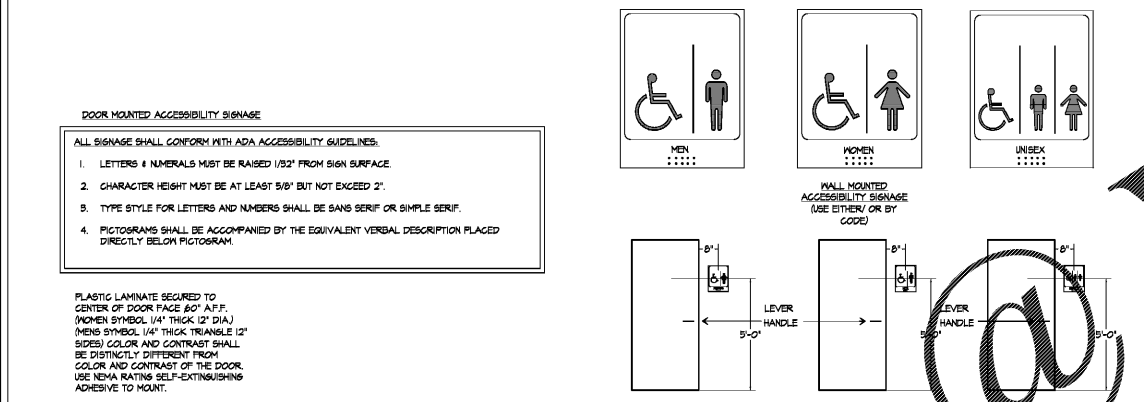
SHEET TITLE / NUMBER
RESTROOM DETAILS
<b>A4.1</b>



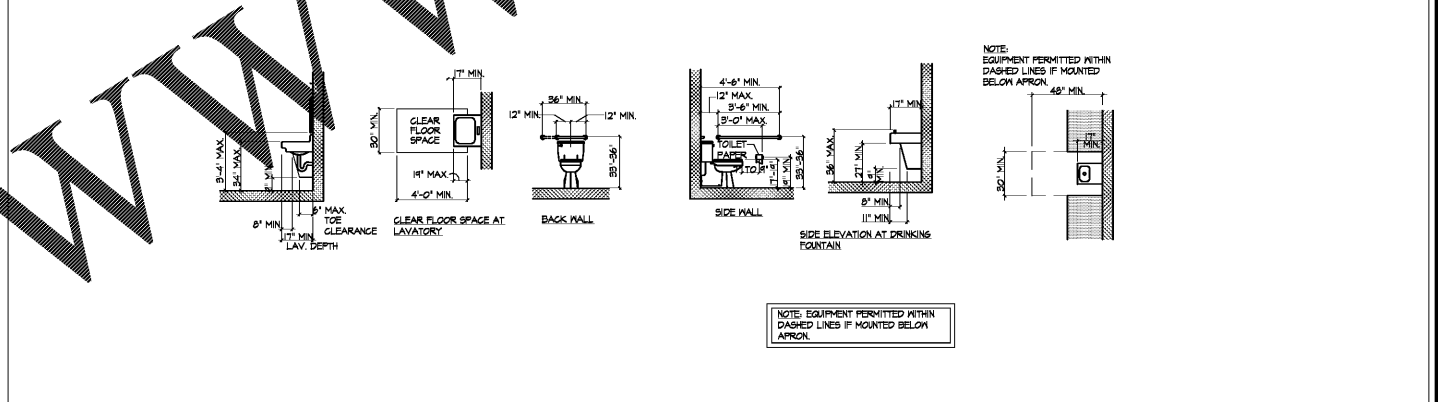
1 TOILET ROOM / PLUMBING FIXTURE PLAN SCALE: 1/2" = 1'-0"



2 TOILET ROOM ELEVATIONS SCALE: 1/2" = 1'-0"



A ACCESSIBILITY SIGNAGE



D ANSI STANDARDS N.T.S.

**NOTES:**

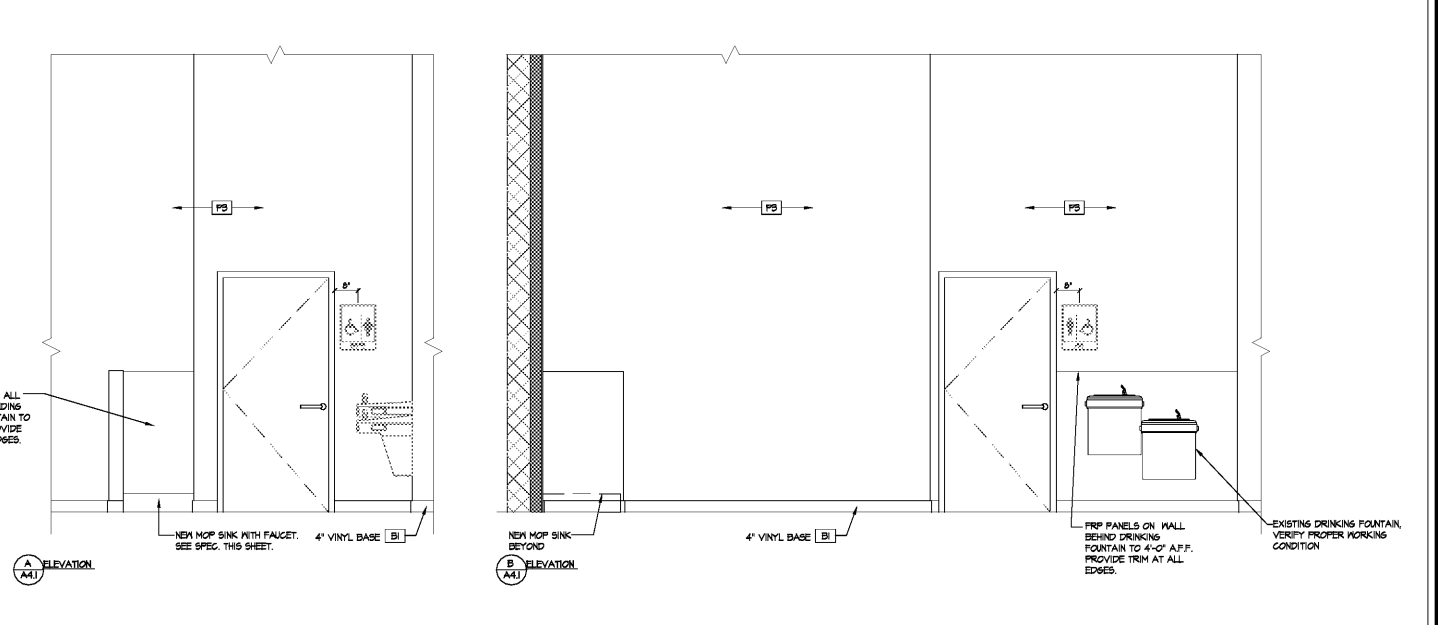
- DOORWAYS INTO UNISEX SANITARY FACILITIES SHALL BE IDENTIFIED BY A CIRCLE 1/4" THICK, 12" IN DIAMETER, WITH A 1/4" THICK TRIANGLE SUPERIMPOSED ON THE CIRCLE AND WITHIN THE 12" DIAMETER. THE GEOMETRIC SYMBOL SHALL BE CENTERED ON THE DOOR AT A HEIGHT OF 60" ABOVE THE FINISHED FLOOR AND SHALL BE OF A COLOR AND CONTRAST DISTINCTLY DIFFERENT FROM THE COLOR AND CONTRAST OF THE DOOR.
- A PERMANENT IDENTIFICATION SIGN, INCLUDING RAISED LETTERS ACCOMPANIED BY BRAILLE, SHALL BE INSTALLED ON THE WALL ADJACENT TO THE LATCH SIDE OF THE DOOR WHERE THERE IS NO WALL SPACE ON THE LATCH SIDE. THE SIGN SHALL BE PLACED ON THE NEAREST ADJACENT WALL, PREFERABLY ON THE RIGHT. MOUNTING HEIGHT SHALL BE 60" ABOVE FINISHED FLOOR TO THE CENTER LINE OF THE SIGN. MOUNTING LOCATION SHALL BE DETERMINED SO THAT A PERSON MAY APPROACH WITHIN 5' OF SIGNAGE WITHOUT ENCOUNTERING PROTRUDING OBJECTS OR STANDING.
- RAISED CHARACTERS OR SYMBOLS SHALL CONFIRM THE FOLLOWING:
  - A. LETTERS AND NUMBERS ON THE PERMANENT IDENTIFICATION SIGN SHALL BE RAISED 1/32" HIGH AND SHALL BE SANS-SERIF UPPERCASE CHARACTERS ACCOMPANIED BY GRADE 2 BRAILLE.
  - B. RAISED LETTERS OR SYMBOLS SHALL BE A MINIMUM OF 3/8" HIGH.
  - C. PICTORIAL SYMBOL SIGNS (PICTOGRAMS) SHALL BE ACCOMPANIED BY THE EQUIVALENT VERBAL DESCRIPTION PLACED DIRECTLY BELOW THE PICTOGRAM. THE BOTTOM EDGE OF THE PICTOGRAM SHALL BE A MINIMUM OF 6" IN HEIGHT.
- CONTRACTED GRADE 2 BRAILLE SHALL BE USED ON THE PERMANENT IDENTIFICATION SIGN. DOTS SHALL BE 1/16" ON CENTERS IN EACH CELL WITH 2/16" SPACE BETWEEN DOTS. DOTS SHALL BE RAISED A MINIMUM OF 1/16" ABOVE THE BACKGROUND.
- LETTERS AND NUMBERS ON THE PERMANENT IDENTIFICATION SIGN SHALL HAVE A WIDTH TO HEIGHT RATIO OF BETWEEN 5:3 AND 1:1 AND A STRIKE THROUGH HEIGHT TO HEIGHT RATIO BETWEEN 3 AND 1.
- CHARACTERS AND NUMBERS ON THE PERMANENT IDENTIFICATION SIGN SHALL BE SIZED ACCORDING TO THE VIEWING DISTANCE FROM WHICH THEY ARE TO BE READ. THE MINIMUM HEIGHT SHALL BE USING AN UPPERCASE X, LOWER CASE CHARACTERS ARE PERMITTED.
- CHARACTERS AND SYMBOLS SHALL CONTRAST WITH THE BACKGROUND, EITHER LIGHT CHARACTERS ON A DARK BACKGROUND OR DARK CHARACTERS ON A LIGHT BACKGROUND.

B ACCESSIBILITY SIGNAGE NOTES

**NOTE:**  
 THIS DRAWING REPRESENTS MIN. REQUIREMENTS. THIS DIAGRAMMATIC ONLY. EXACT LOCATION OF FIXTURES AND CONFIGURATION SHOULD BE COORDINATED WITH CONSTRUCTION. SEE SPEC. THIS SHEET.

TOILET CLOSET:	TOILET SIDE WALL 1/4" LONG (MIN) MOUNTED MAX 12" FROM FACE OF REAR WALL. AND STANDBY 1/4" LONG (MIN) PRESSURE ASSIST. WATER SUPPLY TOILET. COORDINATE WITH MATCHING OLSONITE 185 OPEN-FRONT SEAT. HEIGHT OF SEAT 18" (1/2" AFF. MAX) TOILET FLUSH CONTROL SHALL BE 48" AFF. FROM TOP OF HAND WITHOUT TIGHT GRASPING OR TWISTING OF THE WRIST. AND A MAX FORCE OF 5 LBS. TOILET FLUSH CONTROL SHALL BE MOUNTED ON THE OPEN SIDE OF TANK (OPPOSITE SIDE WALL) AT A MAX HEIGHT OF 48" AFF., UNLESS OTHERWISE NOTED.
LAVATORY:	AMERICAN STANDARD 8021075 ROXALYN WALL HUNG LAVATORY COLOR: WHITE WITH CERAMIC 2000100 FACET NO. 17116 GRID. HOT WATER AND DRAIN LINES LOCATED UNDER LAVATORY SHALL BE INSULATED OR OTHERWISE PROTECTED. FAUCET CONTROLS SHALL BE OPERABLE WITH ONE HAND, WITHOUT TIGHT GRASPING OR TWISTING OF THE WRIST, AND A MAX FORCE OF 5 LBS.
GRAB BARS:	ONE AT SIDE WALL 42" LONG (MIN) MOUNTED MAX 12" FROM FACE OF REAR WALL. ONE AT SIDE WALL 18" LONG (MIN) VERTICAL MOUNTED MAX 4" FROM FACE OF REAR WALL. ONE AT BACK WALL 36" LONG (MIN) MOUNTED MAX 6" FROM FACE OF SIDE WALL. GRAB BARS SHALL BE 1 1/2" CLEAR FROM WALL (1 1/4" DIAMETER) MOUNTED AT 33" AFF TO CENTERLINE. BODIRUCK 8-3606 SERIES WITH 2506 SERIES ANCHOR PLATES WITH STAND 250 LB. VERTICAL AND HORIZONTAL PRESSURE. GRAB BARS SHALL NOT ROTATE WITHIN THEIR FITTINGS. EDGES SHALL HAVE A MIN. RADIUS OF 1/8".
SIGNAGE:	PROVIDE HANDICAP SIGN 1/4" HIGH MOUNTED AT 60" AFF. ADJACENT TO LATCHSIDE
ACCESSORIES:	MIRRORS # BMS-2436. TOILET PAPER DISPENSER #B-76857 WITHIN LOCATED BETWEEN WATER CLOSET AND LAVATORY. 48" A.F.F. T.S.G. TO COORDINATE LOCATION WITH SFGH OUTLET
WALL FINISH:	PROVIDE NON-ABSORBENT FINISH ON WALLS TO 4'-0" A.F.F.
NOTES:	FR.P. (OR APPROVED EQUAL) COLOR TO BE WHITE
MOP SINK:	CRANE PLUMBING # MSB2424. 24"X24"X10" MOP BASIN, WHITE. FINISH IV FIAT 1850-AA FAUCET IV 3" HOSE.
DRINKING FOUNTAIN:	ELKAY MODEL EZSTL6C HI/LO STYLE PUSH BAR FRONT/SIDES
TOILET PARTITIONS:	BODIRUCK, HIGH PRESSURE LAMINATE, CLASSIC SERIES 341, COLOR BEIGE

C TOILET ACCESSORY NOTES



3 CORRIDOR ELEVATION SCALE: 1/2" = 1'-0"