

FINAL

No.	Description	Date

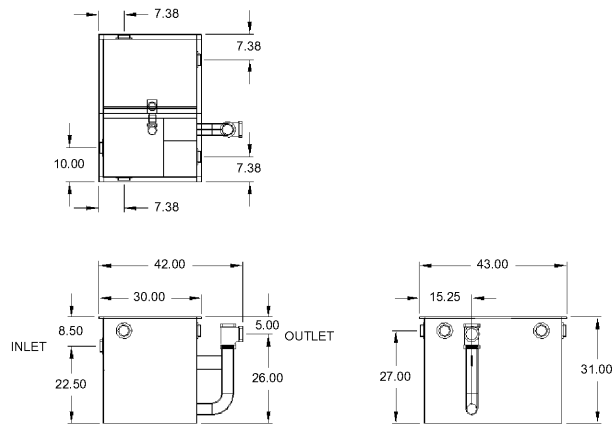
© 2017 Aho Architects, LLC. All Rights Reserved.

RISER AND DETAILS

Project number	16031
Date	04/04/17
Drawn by	JJH
Checked by	CJD

P201

Scale As indicated

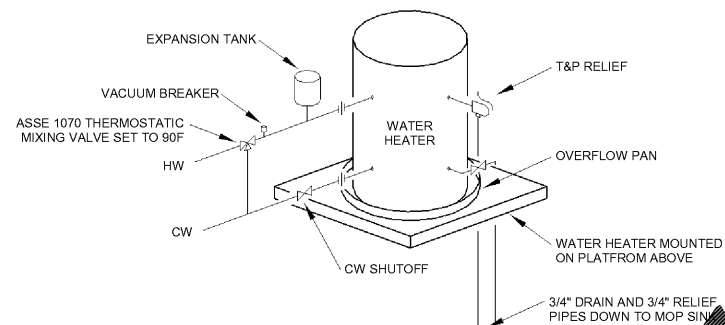


Specifications

Rockford Model OSTL-5628-50 Oil/Water Separator all welded A36 10 ga steel, 35 g.p.m. intermittent flow, 64 gallon static capacity with 50 gallon waste oil storage, 3.00" threaded inlet/outlet & 3.00" threaded vent connections (4), visible double-wall outside trap seal, removable filler screen, non-removable separator screens, 3/16" nonskid tread-plate covers (2) (for flush-with-floor installation) for pedestrian traffic secured with stainless steel bolts with heavy duty leakproof gasket, OPEX SHOP COAT coating inside & bituminous coating outside.

OIL/WATER SEPARATOR

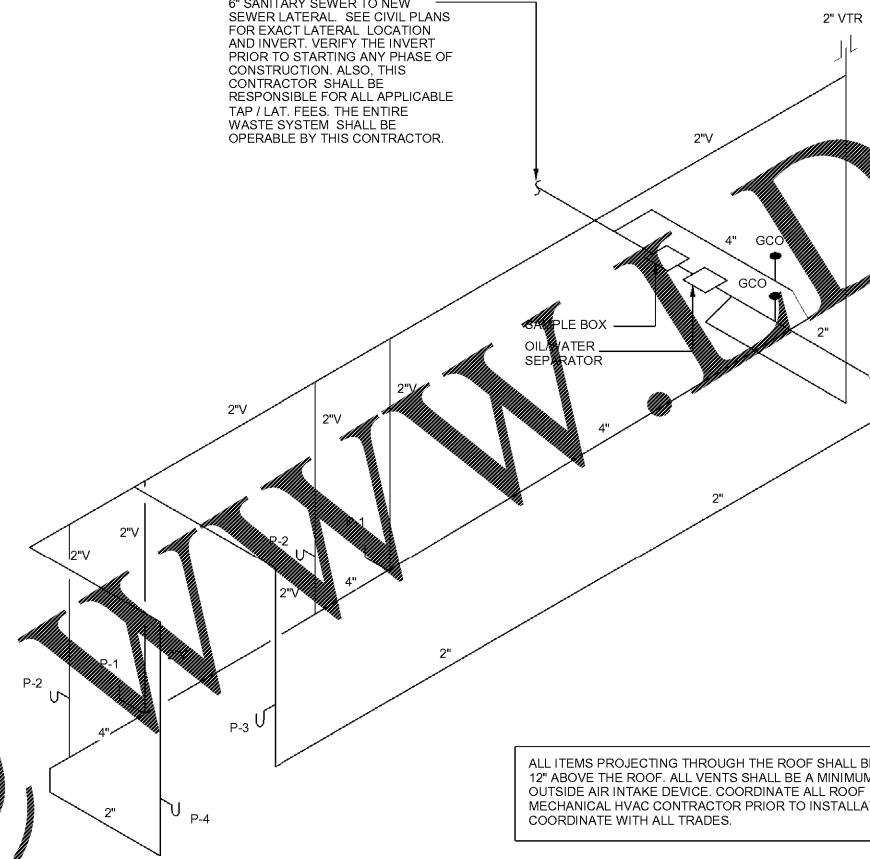
NOT TO SCALE



SHelf MOUNTED WATER HEATER DETAIL

NOT TO SCALE

6" SANITARY SEWER TO NEW SEWER LATERAL. SEE CIVIL PLANS FOR EXACT LATERAL LOCATION AND INVERT. VERIFY THE INVERT PRIOR TO STARTING ANY PHASE OF CONSTRUCTION. ALSO, THIS CONTRACTOR SHALL BE RESPONSIBLE FOR ALL APPLICABLE TAP / LAT. FEES. THE ENTIRE WASTE SYSTEM SHALL BE OPERABLE BY THIS CONTRACTOR.



ALL ITEMS PROJECTING THROUGH THE ROOF SHALL BE FLASHED A MINIMUM OF 12" ABOVE THE ROOF. ALL VENTS SHALL BE A MINIMUM OF 10' FROM ANY OUTSIDE AIR INTAKE DEVICE. COORDINATE ALL ROOF PENETRATIONS WITH THE MECHANICAL HVAC CONTRACTOR PRIOR TO INSTALLATION. FIELD VERIFY AND COORDINATE WITH ALL TRADES.

PLUMBING

NOT TO SCALE

Order Plans

@

www.AHOnline.com