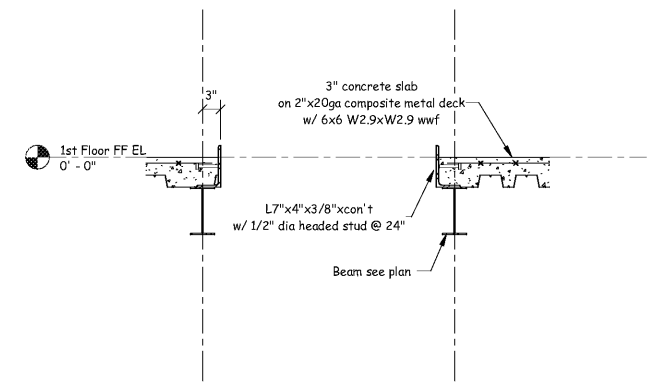
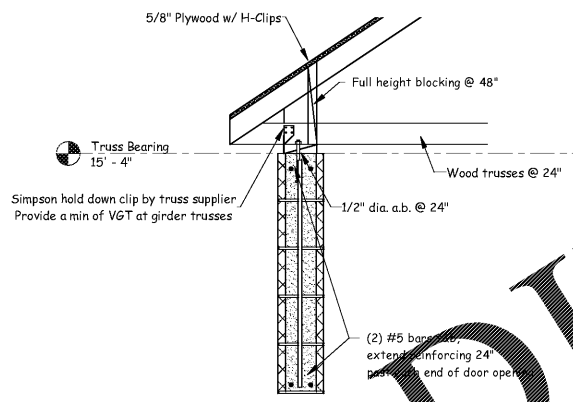


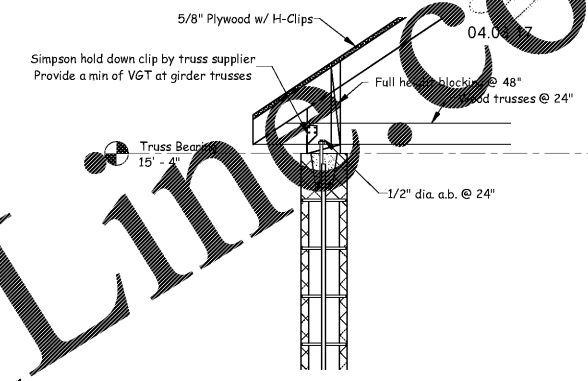
Section 12
3/4" = 1'-0"



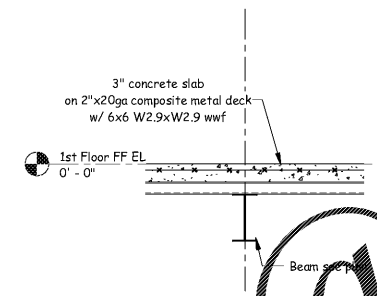
Section 11
3/4" = 1'-0"



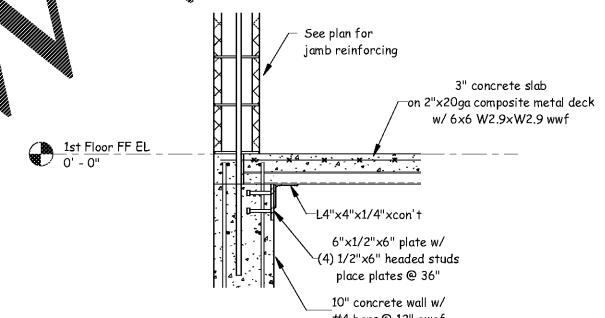
Section 10
3/4" = 1'-0"



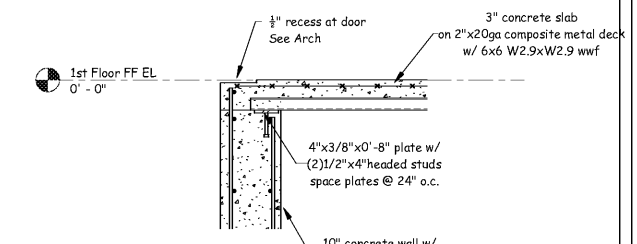
Section 9
3/4" = 1'-0"



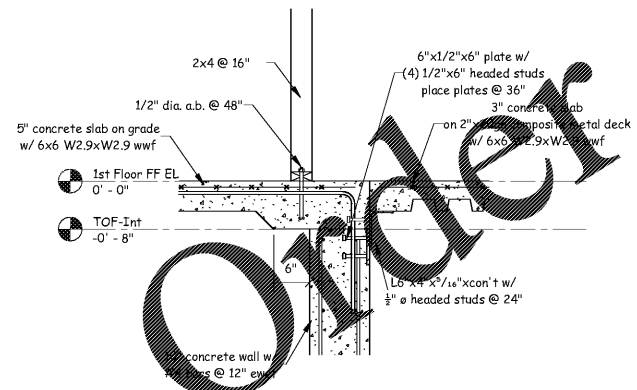
Section 7
3/4" = 1'-0"



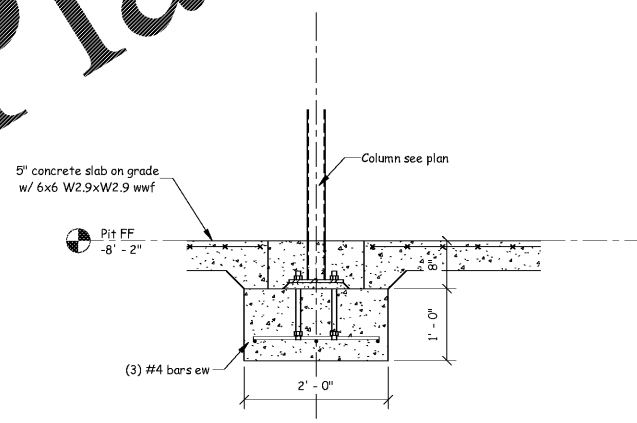
Section 6
3/4" = 1'-0"



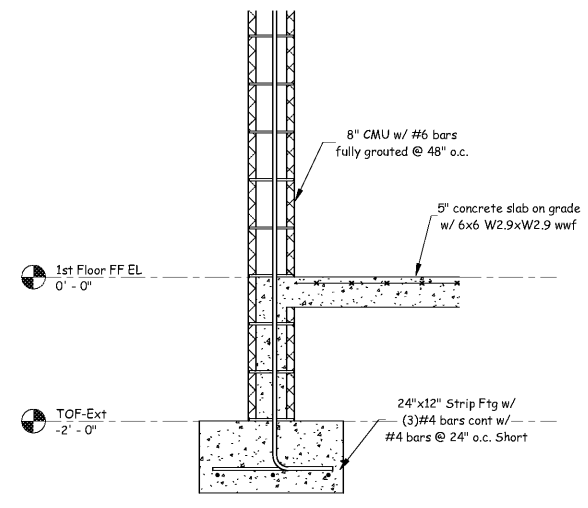
Section 5
3/4" = 1'-0"



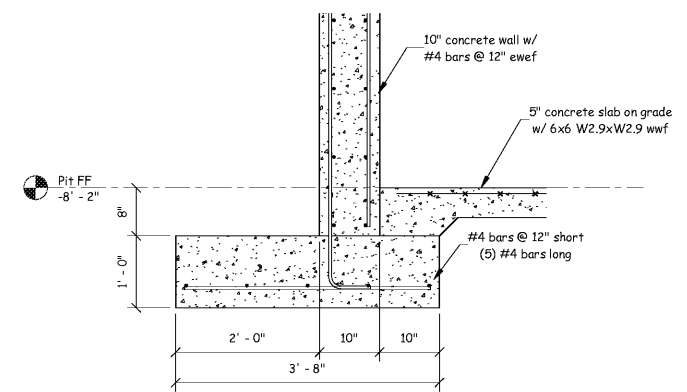
Section 4
3/4" = 1'-0"



Section 3
3/4" = 1'-0"



Section 2
3/4" = 1'-0"



Section 1
3/4" = 1'-0"

Express Oil Change & Tire Engineers
Single Building - Right Hand Oil Change
Augusta, Georgia

FINAL

No.	Description	Date

© 2017 Aho Architects, LLC. All Rights Reserved.

Sections and Details

Project number	16031
Date	04.03.17
Drawn by	jcj
Checked by	jd

S5.1

Scale 3/4" = 1'-0"