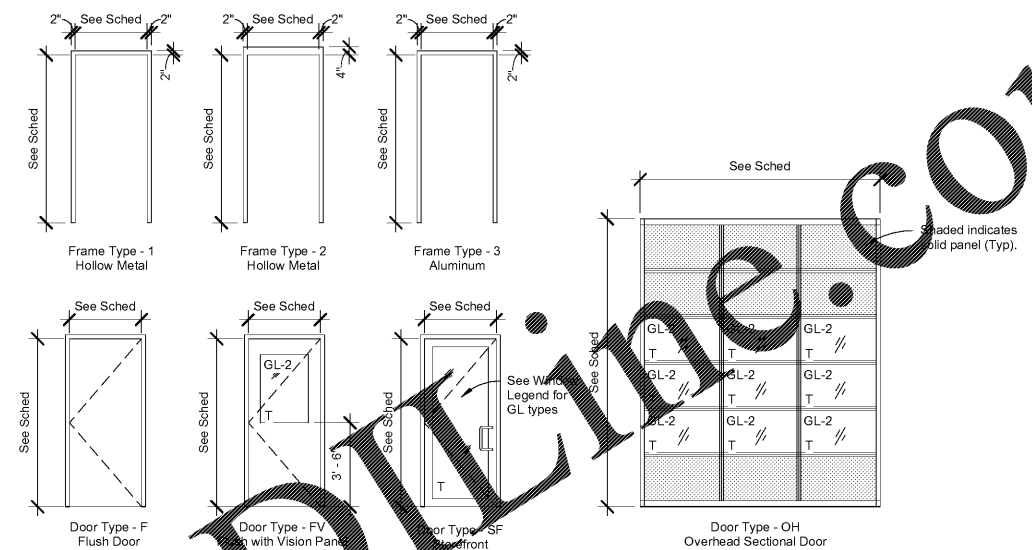


Door and Frame Schedule

Number	Door			Door			Frame			Glass	Hardware	Notes
	Width	Height	Thickness	Door Type	Door Material	Door Finish	Frame Type	Frame Material	Frame Finish			
1	3' - 0"	7' - 0"	1 3/4"	SF	ALUM / GL	Clear Anodized	3	ALUM	Clear Anodized	Tempered	1	If required by the Fire Marshal or AHJ, add lettering that reads "This door must remain unlocked during business hours".
2	3' - 0"	7' - 0"	1 3/4"	FV	WD	Painted	1	HM	Painted	Tempered	4	
3	3' - 0"	7' - 0"	1 3/4"	FV	WD	Painted	1	HM	Painted	Tempered	4	
4	3' - 0"	4' - 11"	1 3/4"	SF	ALUM / GL	Clear Anodized	3	ALUM	Clear Anodized	Tempered	2	
5	3' - 0"	7' - 0"	1 3/4"	F	WD	Painted	1	HM	Painted	N/A	8	
6	10' - 0"	12' - 0"	2 1/8"	OH	STEEL / GL	Painted	N/A	N/A	N/A	Tempered	9	
7	10' - 0"	12' - 0"	2 1/8"	OH	STEEL / GL	Painted	N/A	N/A	N/A	Tempered	9	
8	10' - 0"	12' - 0"	2 1/8"	OH	STEEL / GL	Painted	N/A	N/A	N/A	Tempered	9	
9	3' - 0"	7' - 0"	1 3/4"	F	HM	Painted	2	HM	Painted	N/A	3	
10	10' - 0"	12' - 0"	2 1/8"	OH	STEEL / GL	Painted	N/A	N/A	N/A	Tempered	9	
11	10' - 0"	12' - 0"	2 1/8"	OH	STEEL / GL	Painted	N/A	N/A	N/A	Tempered	9	
12	10' - 0"	12' - 0"	2 1/8"	OH	STEEL / GL	Painted	N/A	N/A	N/A	Tempered	9	
13	3' - 0"	7' - 0"	1 3/4"	FV	WD	Painted	1	HM	Painted	Tempered	6	
14	3' - 0"	7' - 0"	1 3/4"	F	WD	Painted	1	HM	Painted	N/A	5	
15	3' - 0"	7' - 0"	1 3/4"	F	WD	Painted	1	HM	Painted	N/A	7	
16	10' - 0"	12' - 0"	2 1/8"	OH	STEEL / GL	Painted	N/A	N/A	N/A	Tempered	9	
17	10' - 0"	12' - 0"	2 1/8"	OH	STEEL / GL	Painted	N/A	N/A	N/A	Tempered	9	
18	10' - 0"	12' - 0"	2 1/8"	OH	STEEL / GL	Painted	N/A	N/A	N/A	Tempered	9	
19	3' - 0"	7' - 0"	1 3/4"	F	HM	Painted	2	HM	Painted	N/A	3	
20	10' - 0"	12' - 0"	2 1/8"	OH	STEEL / GL	Painted	N/A	N/A	N/A	Tempered	9	
21	10' - 0"	12' - 0"	2 1/8"	OH	STEEL / GL	Painted	N/A	N/A	N/A	Tempered	9	
22	10' - 0"	12' - 0"	2 1/8"	OH	STEEL / GL	Painted	N/A	N/A	N/A	Tempered	9	

DOOR AND FRAME LEGEND

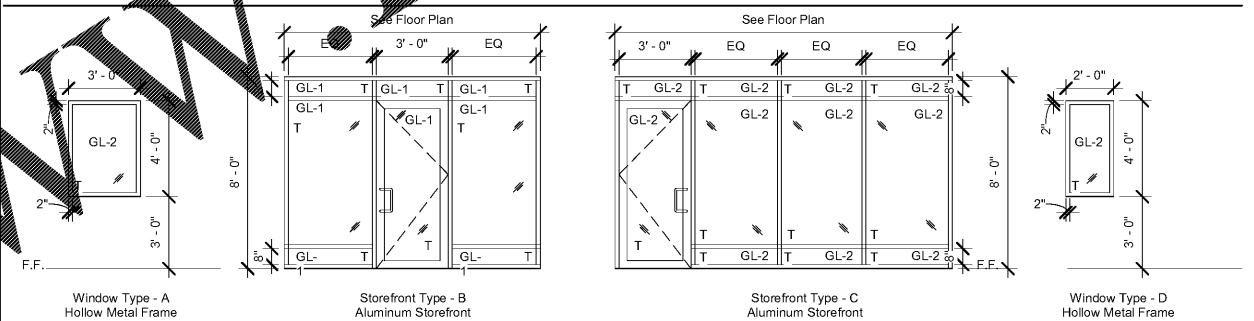


Material Schedule

Abbreviation	Material Description	Manufacturer	Style Name or Number	Color (Description)	Size	Finish	Material Notes
AR	Automotive Rubber	N/A	N/A	N/A	N/A	N/A	Provided and installed by others.
CT	Ceramic Tile	Dal-Tile	Heathland	Ashland HL05	12x12	N/A	Use MAPEI 47 Epoxy Grout
EP	Epoxy Coating	Sherwin Williams	See Paint Schedule on G301	TBD	N/A	N/A	
P-1	Paint - Color 1	Sherwin Williams	See Paint Schedule on G301	Blueblood	N/A	See Paint Schedule on G201	
P-2	Paint - Color 2	Sherwin Williams	See Paint Schedule on G301	Dover Gray	N/A	See Paint Schedule on G201	
P-3	Paint - Color 3	Sherwin Williams	See Paint Schedule on G301	Summit Gray	N/A	See Paint Schedule on G201	
P-4	Paint - Color 4	Sherwin Williams	See Paint Schedule on G301	Blue Chip	N/A	See Paint Schedule on G201	
P-5	Paint - Color 5	Sherwin Williams	See Paint Schedule on G301	Safety Yellow	N/A	See Paint Schedule on G201	
P-6	Paint - Color 6	Sherwin Williams	See Paint Schedule on G301	Safety Red	N/A	See Paint Schedule on G201	
P-7	Paint - Color 7	Sherwin Williams	Pro Mar 200	SW7006 Extra White	N/A	Egshell	
PL	Plastic Laminate	Wilsonart	4882-38	Oiled Soapstone	N/A	N/A	
RB	Rubber Base	Ropee	Pinnacle	Match P-3	4"	N/A	
SC	Sealed Concrete	Sherwin Williams	See Paint Schedule on G301	Clear	N/A	See Paint Schedule on G201	Add SharkGrip for additional assistance

Dover Gray is a Custom Color:  
 Deep Base OZ 32 64 128  
 W1 White - 14 1 1  
 B1 Black 2 26 1 1  
 R2 Maroon - 4 - 1 1  
 Y3 Deep Gold - 17 1 1

WINDOW LEGEND

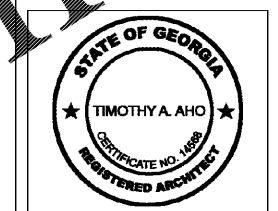
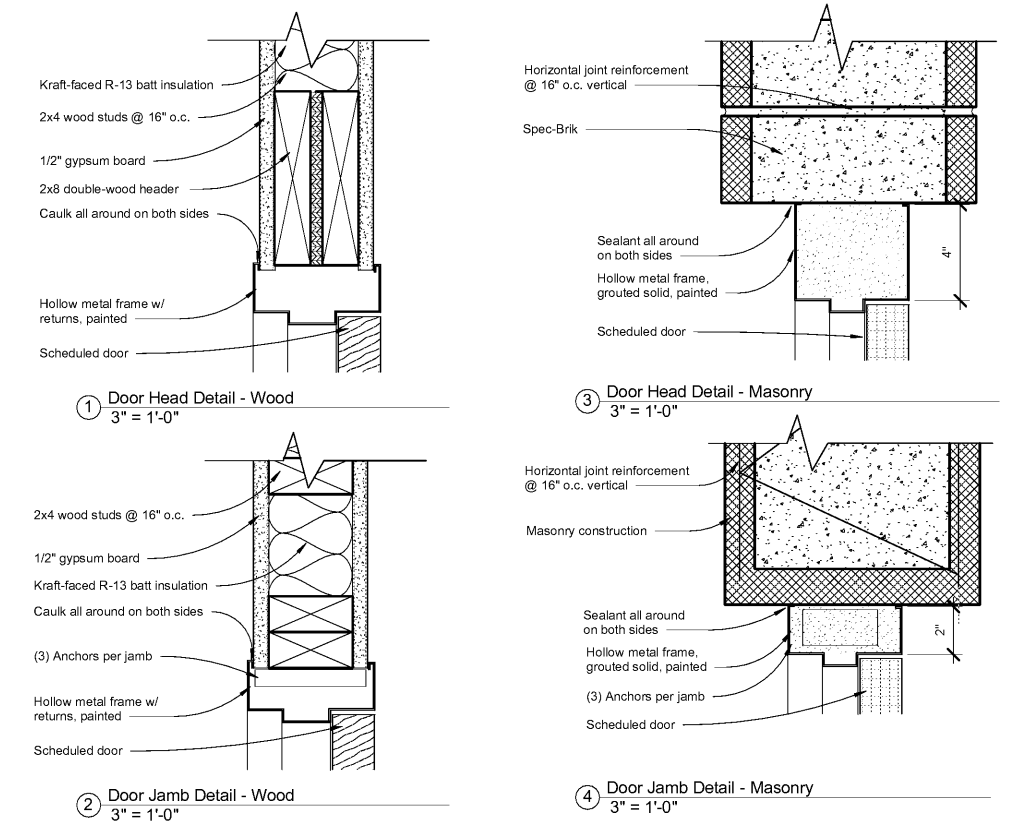


Finish Schedule

Number	Name	Area	Floor Finish	Base Finish	Walls				Ceiling Finish	Remarks
					Rear	Right	Front	Left		
1	Service Writing	134 SF	CT	CT	Storefront	P-1 / P-2 / P-3	P-1 / P-2 / P-3	P-1 / P-2 / P-3	Gyp. Bd. P-7	
2	Lobby	147 SF	CT	CT	P-3 w/ Vinyl Graphics	P-1 / P-2 / P-3	Storefront	P-1 / P-2 / P-3	Gyp. Bd. P-7	
3	Toilet	48 SF	CT	CT	P-3	P-3	P-3	P-3	Gyp. Bd. P-7	CT wainscot. 4'-0" high.
4	Manager	50 SF	EP	RB	P-3	P-3	P-3	P-3	Gyp. Bd. P-7	
5	Oil Change	1270 SF	AR	None /RB	P-3	P-4 / P-1 w/ Vinyl Graphics	P-3	P-4 / P-1 w/ Vinyl Graphics	Plywood & Batten Strips P-7	RB on gypsum board walls only.
6	Corridor	100 SF	SC	None /RB	P-1	P-1	P-1	P-1	Gyp. Bd. P-7	
7	Break	63 SF	EP	RB	P-3	P-3	P-3	P-3	Gyp. Bd. P-7	
8	Toilet	48 SF	CT	CT	P-3	P-3	P-3	P-3	Gyp. Bd. P-7	CT wainscot. 4'-0" high.
9	Service	2377 SF	SC	None /RB	P-3	P-4 / P-1 w/ Vinyl Graphics	P-3	P-4 / P-1 w/ Vinyl Graphics	Plywood & Batten Strips P-7	RB on gypsum board walls only.
10	Storage	13 SF	SC	None /RB	P-3	P-4 / P-1	N/A	N/A	Plywood & Batten Strips P-7	RB on gypsum board walls only.
11	Pit	12 SF	SC	None	Unpainted	Unpainted	Unpainted	Unpainted	Exposed to structure above	

Finish Schedule - Additional Items

- Doors & Frames: Paint P-3
- Bollards: Paint P-1
- Exterior Pole: Paint P-1
- Downspouts/Cover: Paint P-1
- Electrical covers: Painted aluminum
- Paint all louvers to match adjacent finish
- Epoxy Floor Grout used with CT; MAPEI 47 Charcoal
- Stairs & Railings: P-5



Express Oil Change & Tire Engineers  
 Single Building - Right Hand Oil Change  
 Augusta, Georgia

FINAL

No.	Description	Date

© 2017 Aho Architects, LLC. All Rights Reserved.

Schedules

Project number	16031
Date	04/04/2017
Drawn by	ARC
Checked by	TAA
<b>A620</b>	
Scale	As indicated