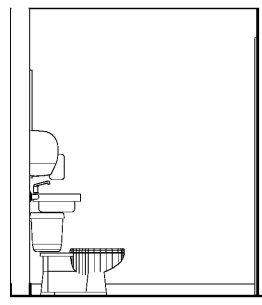
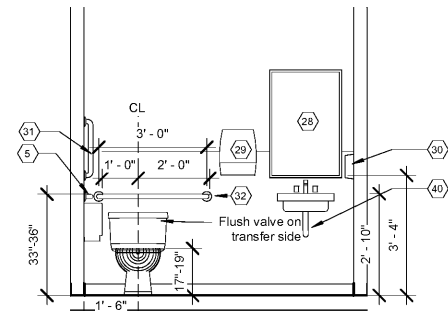


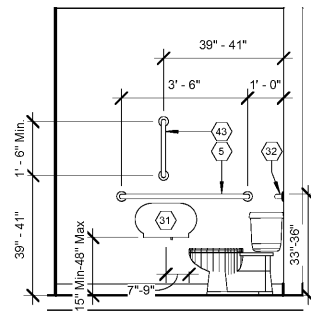
① Interior Elevation (Break Room)
1/4" = 1'-0"



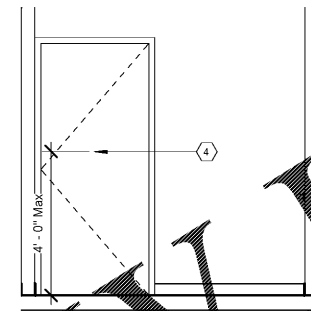
② Interior Elevation (Front @ Toilet 8)
3/8" = 1'-0"



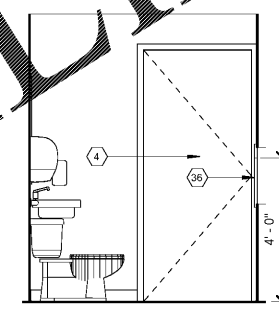
③ Interior Elevation (Right @ Toilet 8)
3/8" = 1'-0"



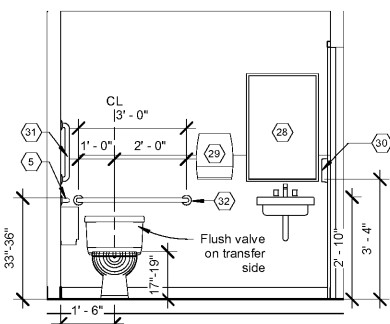
④ Interior Elevation (Rear @ Toilet 8)
3/8" = 1'-0"



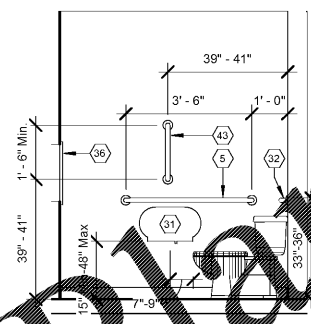
⑤ Interior Elevation (Left @ Toilet 8)
3/8" = 1'-0"



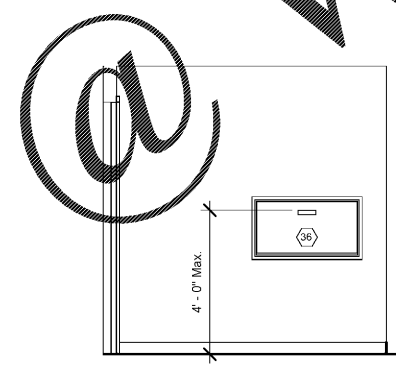
⑥ Interior Elevation (Front @ Toilet 3)
3/8" = 1'-0"



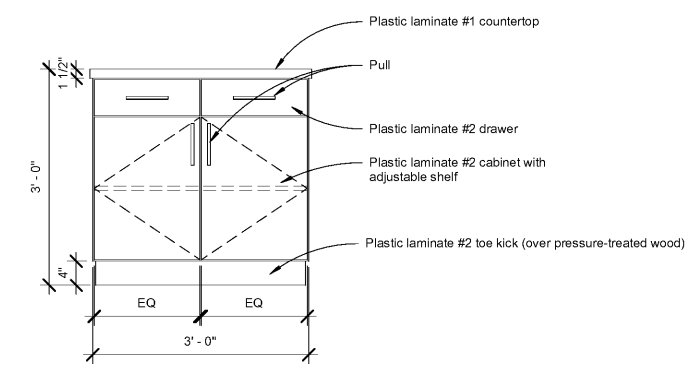
⑦ Interior Elevation (Right @ Toilet 3)
3/8" = 1'-0"



⑧ Interior Elevation (Rear @ Toilet 3)
3/8" = 1'-0"



⑨ Interior Elevation (Left @ Toilet 3)
3/8" = 1'-0"



⑩ Coffee Bar
3/4" = 1'-0"

Order Plans

WWW.LDILine.com



Express Oil Change & Tire Engineers
Single Building - Right Hand Oil Change
Augusta, Georgia

FINAL

No.	Description	Date

© 2017 Aho Architects, LLC. All Rights Reserved.

Interior Elevations

Project number	16031
Date	04/04/2017
Drawn by	ARC
Checked by	TAA

A602

Scale As indicated