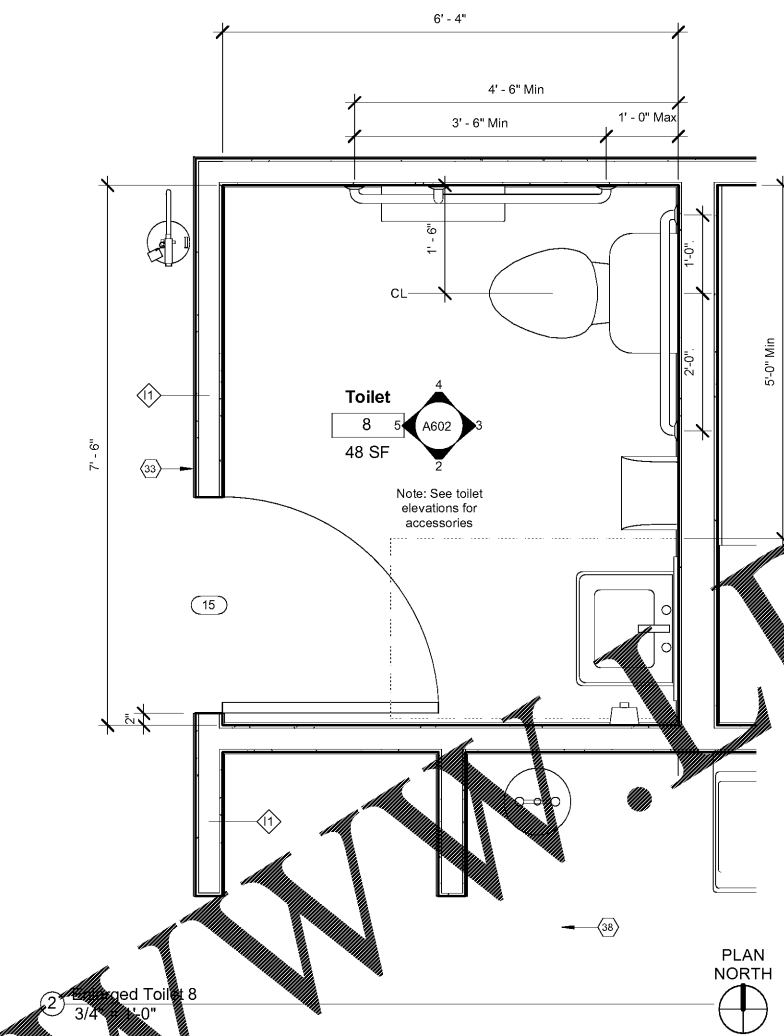
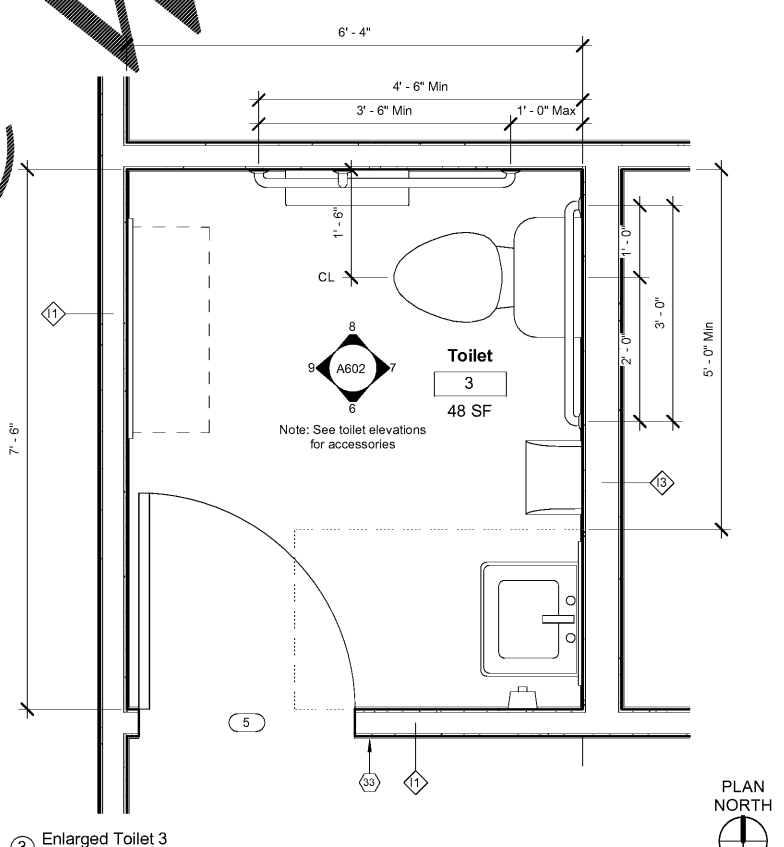


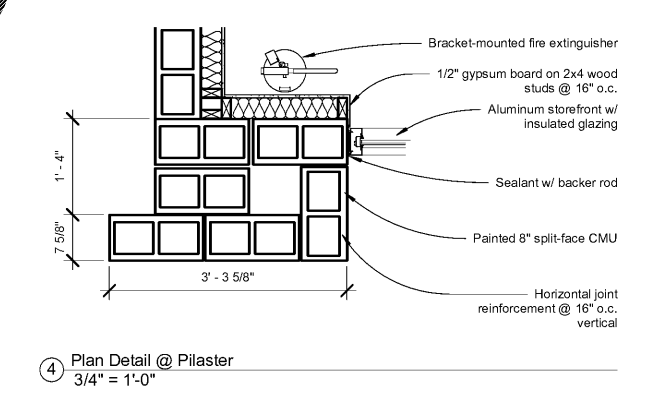
1 02 - Enlarged Plan  
3/8" = 1'-0"



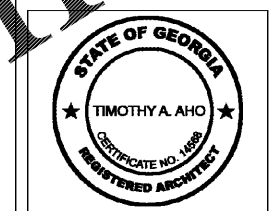
2 Enlarged Toilet 8  
3/4" = 1'-0"



3 Enlarged Toilet 3  
3/4" = 1'-0"



4 Plan Detail @ Pilaster  
3/4" = 1'-0"



Express Oil Change & Tire Engineers  
Single Building - Right Hand Oil Change  
Augusta, Georgia

FINAL

No.	Description	Date

© 2017 Aho Architects, LLC. All Rights Reserved.

Enlarged Floor Plans and Details	
Project number	16031
Date	04/04/2017
Drawn by	ARC
Checked by	TAA
<b>A102</b>	
Scale	As indicated