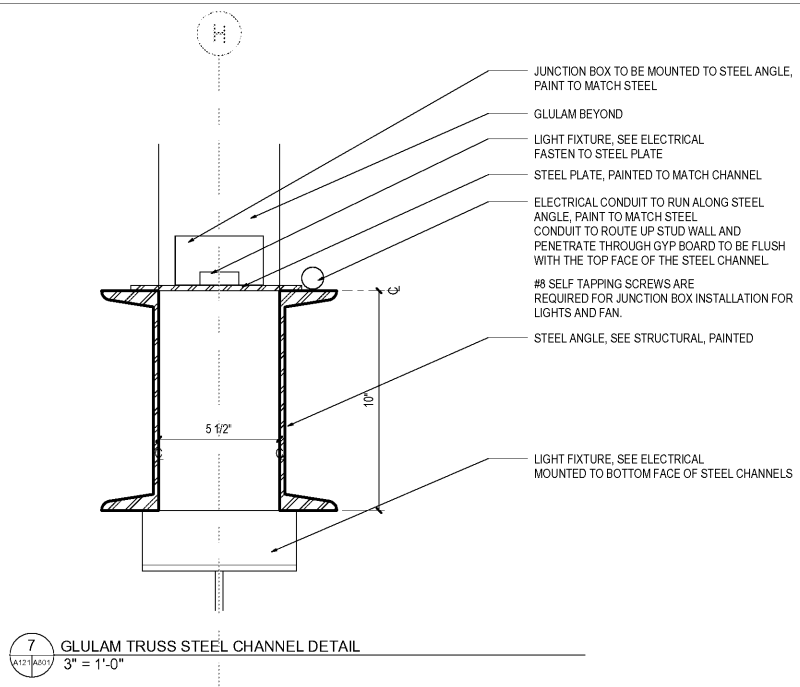
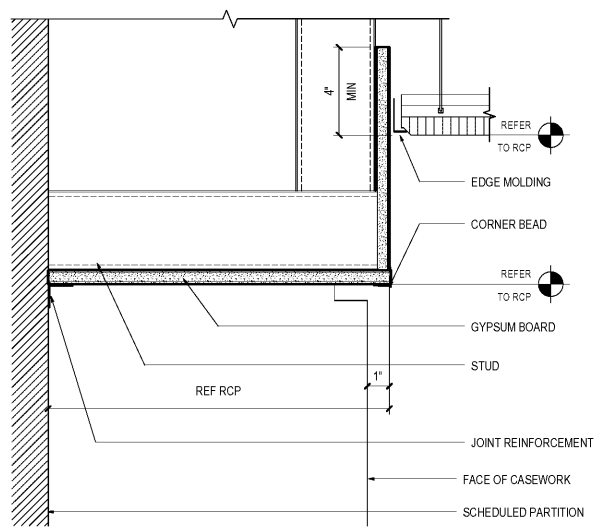


147 Wappoo Creek Drive
Suite 400
Charleston, SC 29412

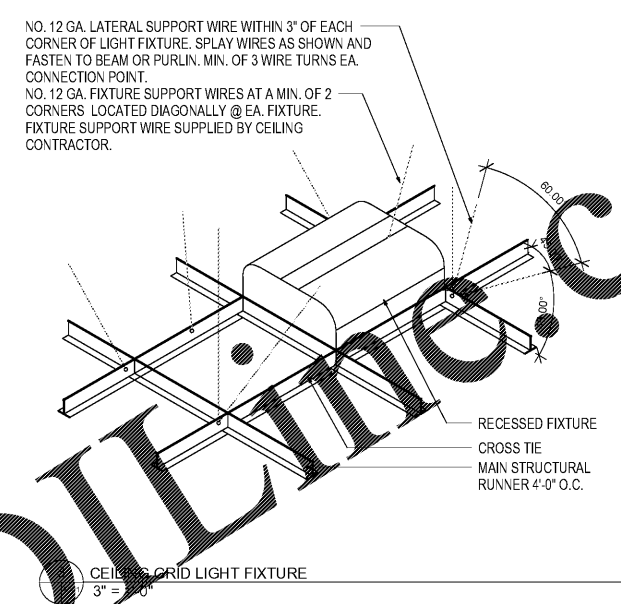
P 843.762.2222



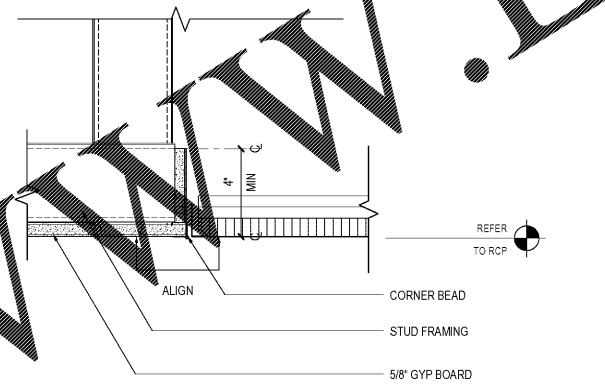
7 GLULAM TRUSS STEEL CHANNEL DETAIL
3" = 1'-0"



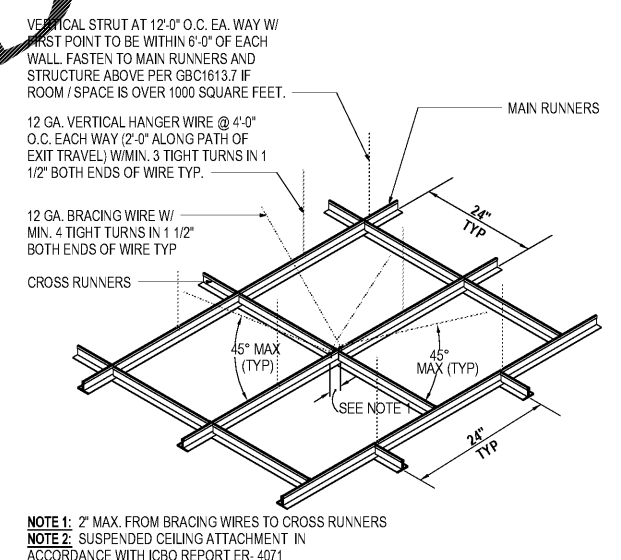
4 GWB TO SAT CEILING TRANSITION
3" = 1'-0"



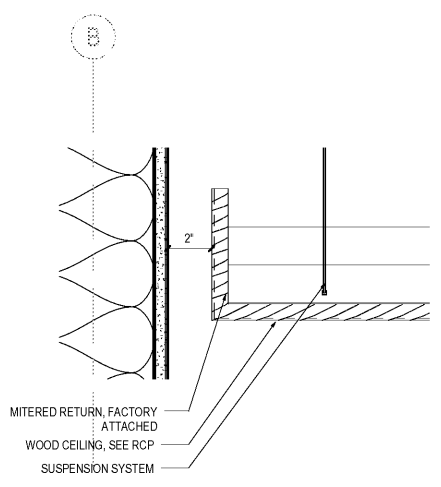
2 CEILING GRID LIGHT FIXTURE
3" = 1'-0"



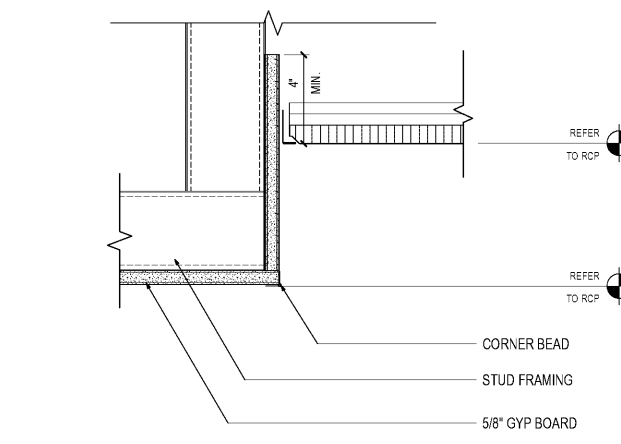
5 FLUSH GWB TO SAT CEILING TRANSITION
3" = 1'-0"



2 CEILING GRID AXONOMETRIC
3" = 1'-0"



6 WOOD CEILING EDGE DETAIL
3" = 1'-0"



1 GYPSUM CORRIDOR SOFFIT
3" = 1'-0"

Order Plans @ WWW.LDILLINE.COM

Revision	Date	Description

Town of James Island
TOWN HALL
1122 Dills Bluff Road
Charleston, SC 29412

Project Number:	15102
Checked By:	JGC
Drawn By:	EGB
Date:	04/03/17
Scale:	

A801
CEILING DETAILS