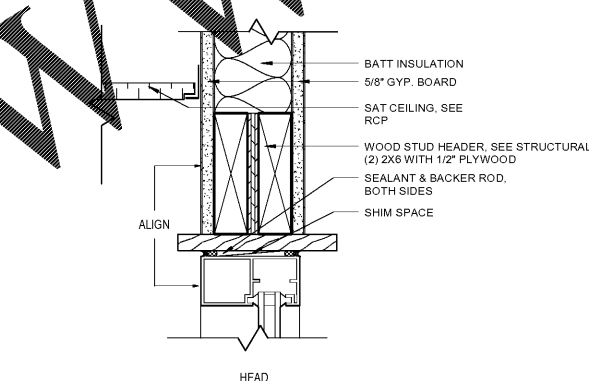


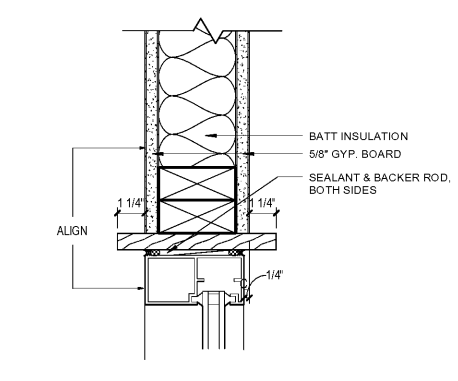
147 Wappoo Creek Drive
Suite 400
Charleston, SC 29412

P 843.762.2222

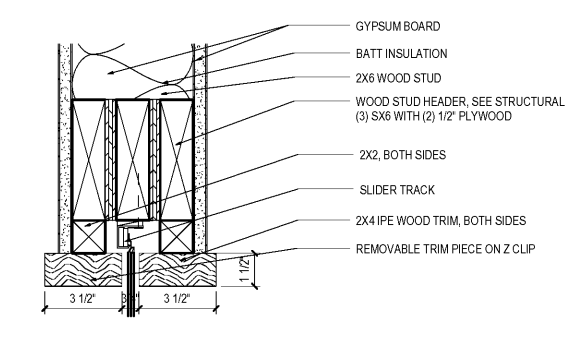
WWW.LDILine.com



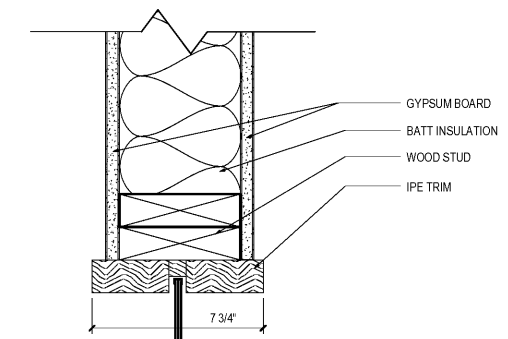
1 INTERIOR STOREFRONT HEAD DETAIL
3" = 1'-0"



2 INTERIOR STOREFRONT JAMB DETAIL
3" = 1'-0"



3 SLIDING GLASS WINDOW HEAD DETAIL
3" = 1'-0"



4 BUTT GLASS JAMB DETAIL
3" = 1'-0"

Revision	Date	Description

Town of James Island
TOWN HALL

1122 Dills Bluff Road
Charleston, SC 29412

Project Number:	15102
Checked By:	JGC
Drawn By:	EGB
Date:	04/03/17
Scale:	

A603
CW AND SF DETAILS

Order Plans @