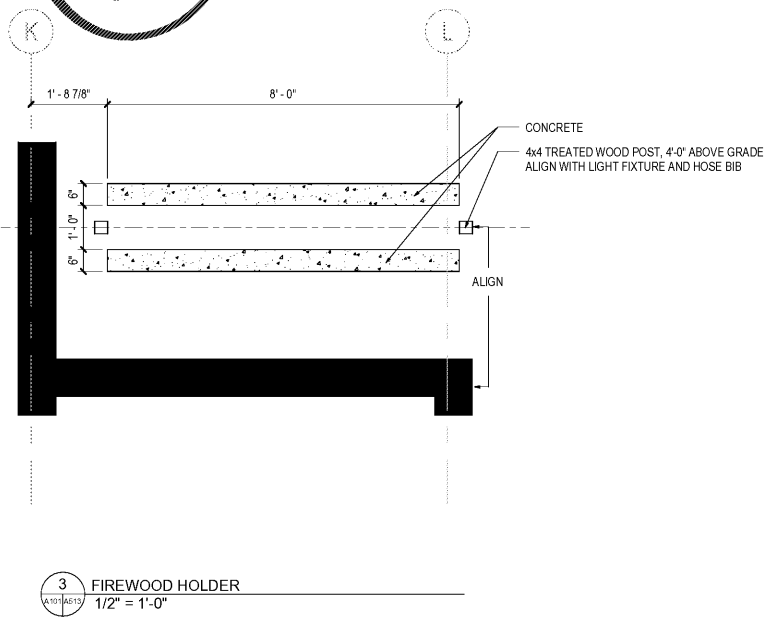
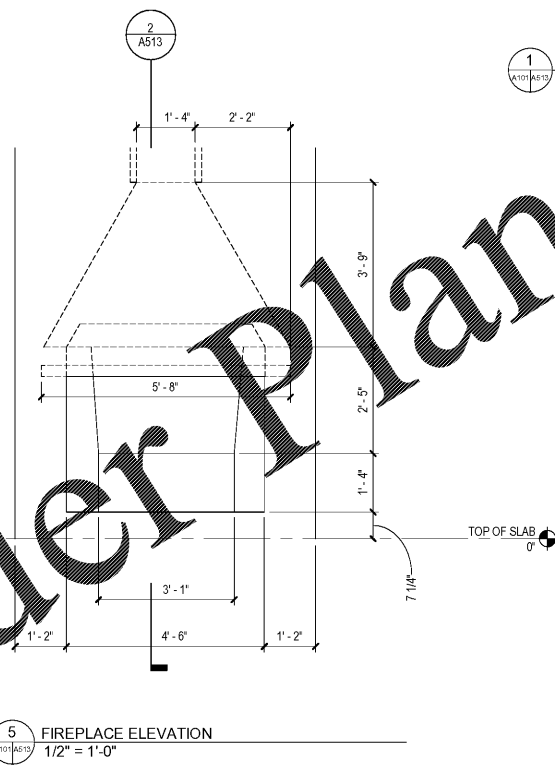
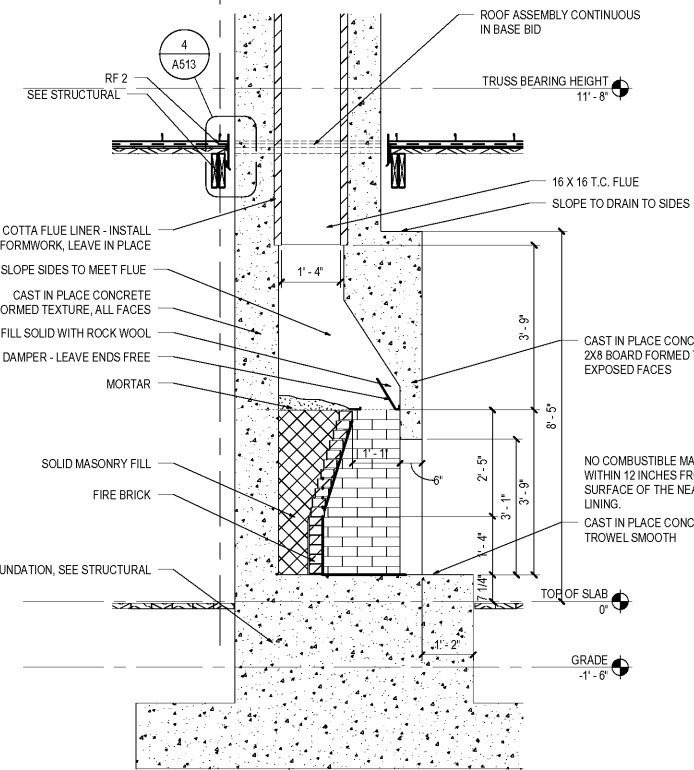
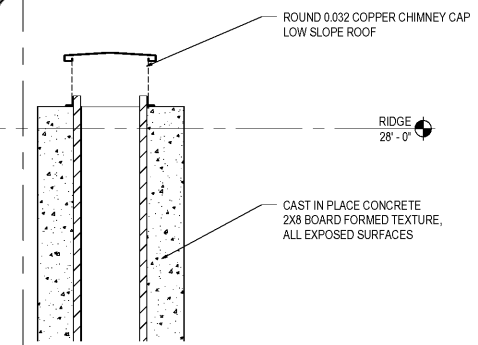
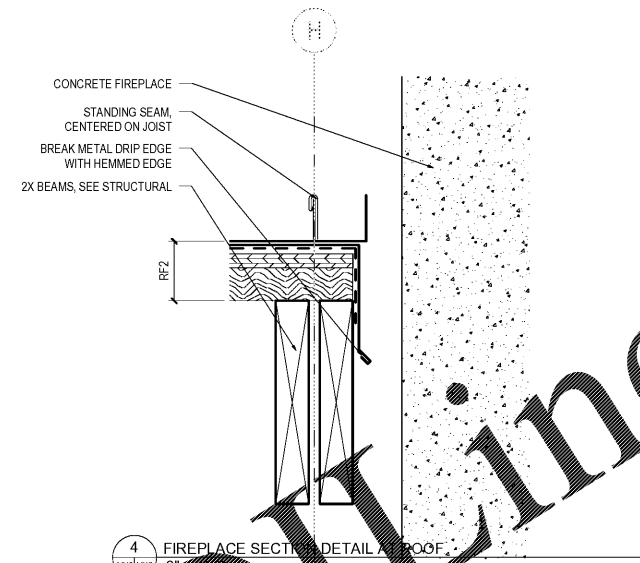
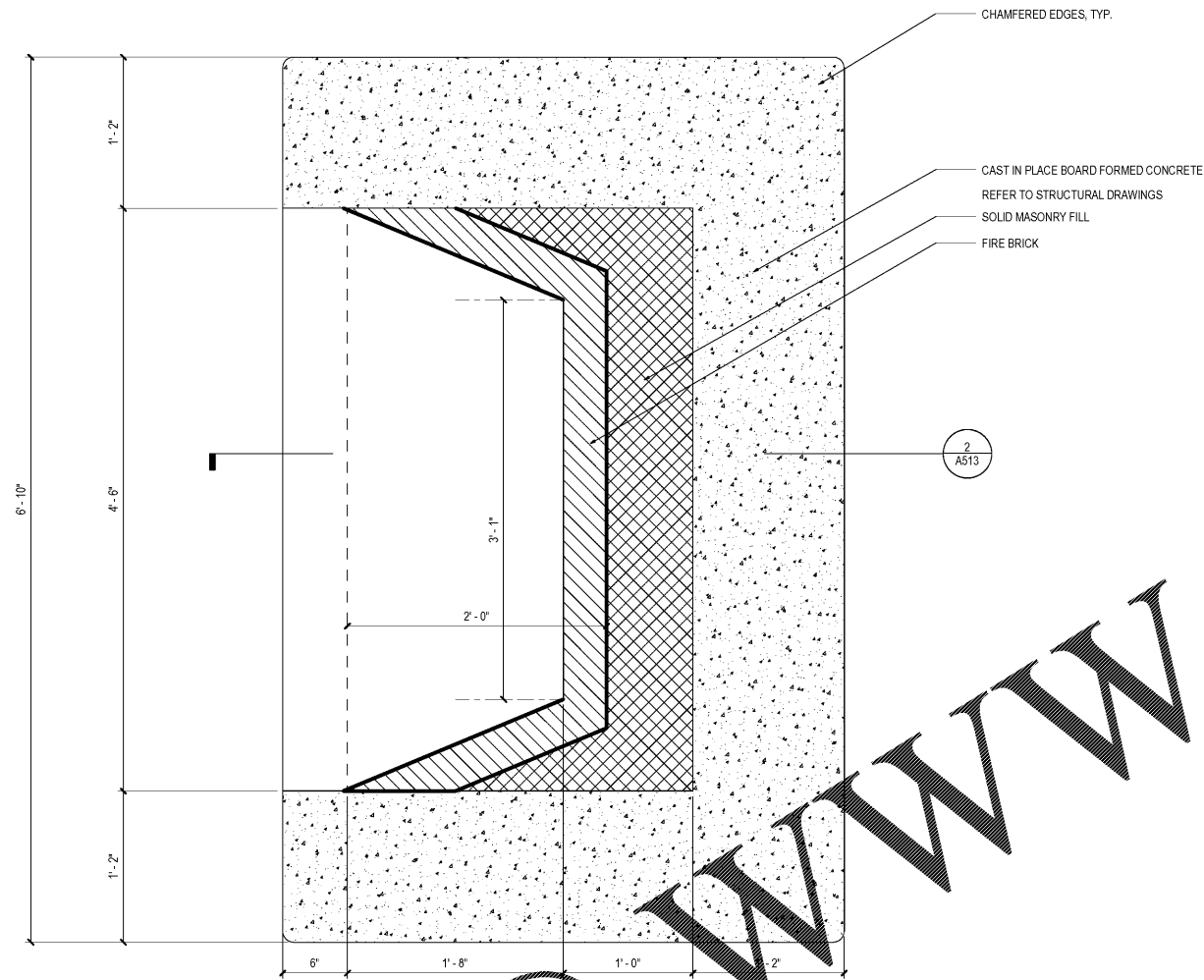


147 Wappoo Creek Drive
Suite 400
Charleston, SC 29412

P 843.762.2222



Revision	Date	Description

Town of James Island
TOWN HALL

1122 Dills Bluff Road
Charleston, SC 29412

Project Number:	15102
Checked By:	JGC
Drawn By:	EGB
Date:	04/03/17
Scale:	

A513
FIREPLACE DETAILS,
ALTERNATE #2

Order Plans @