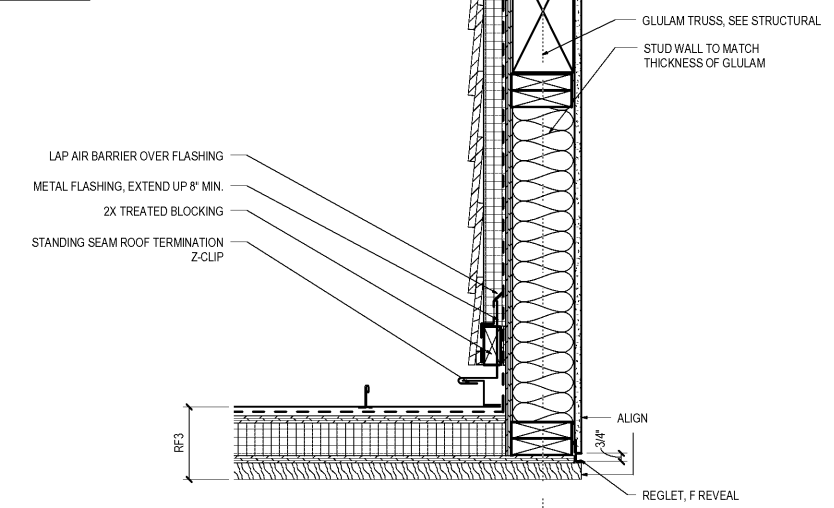
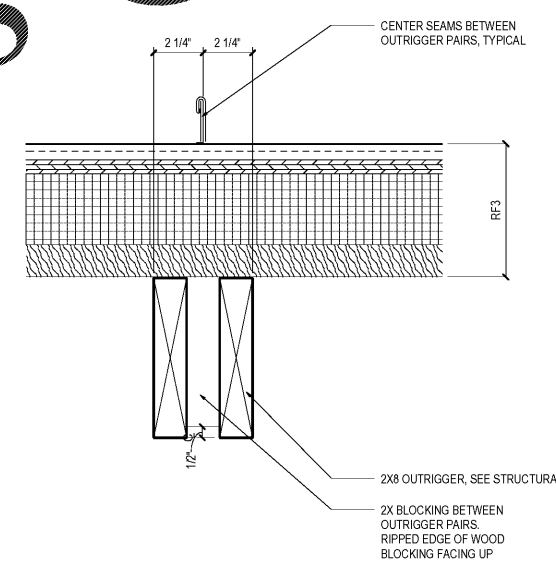
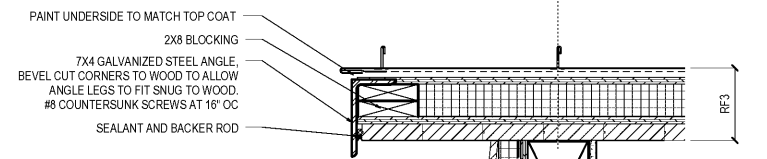
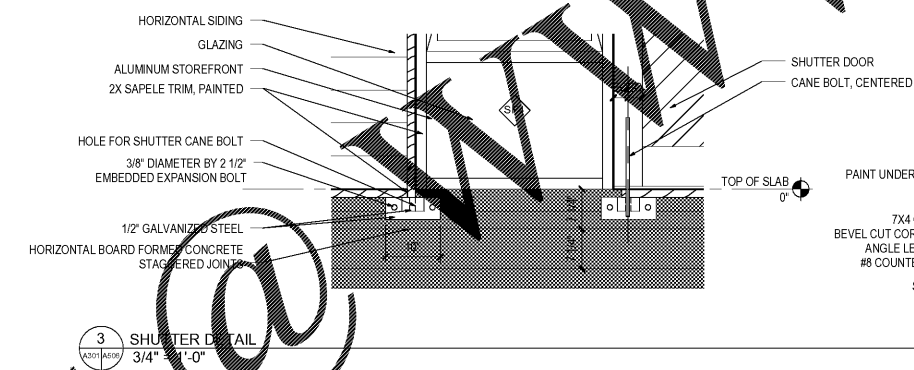
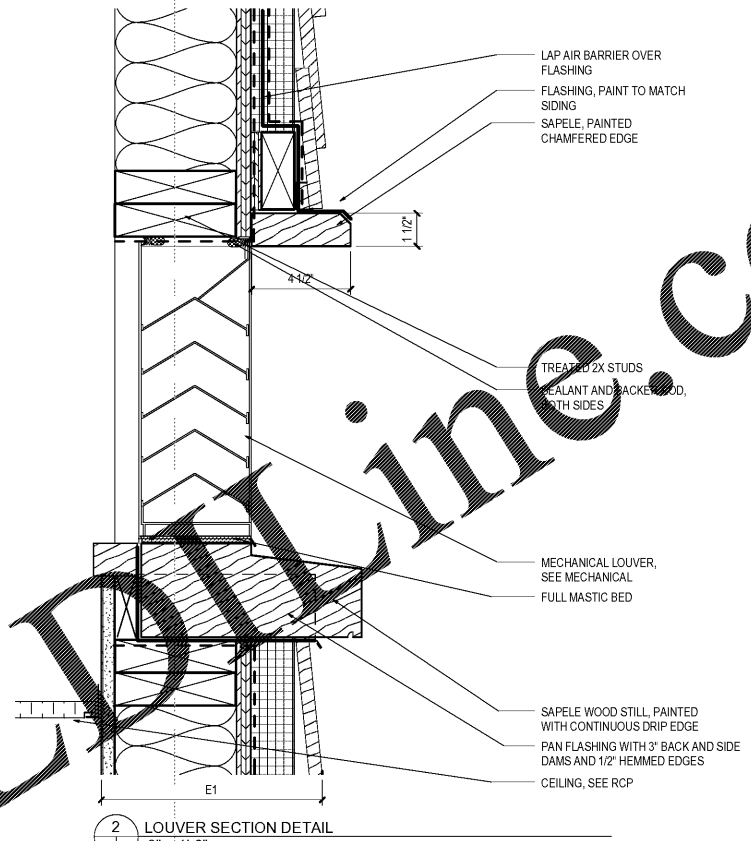
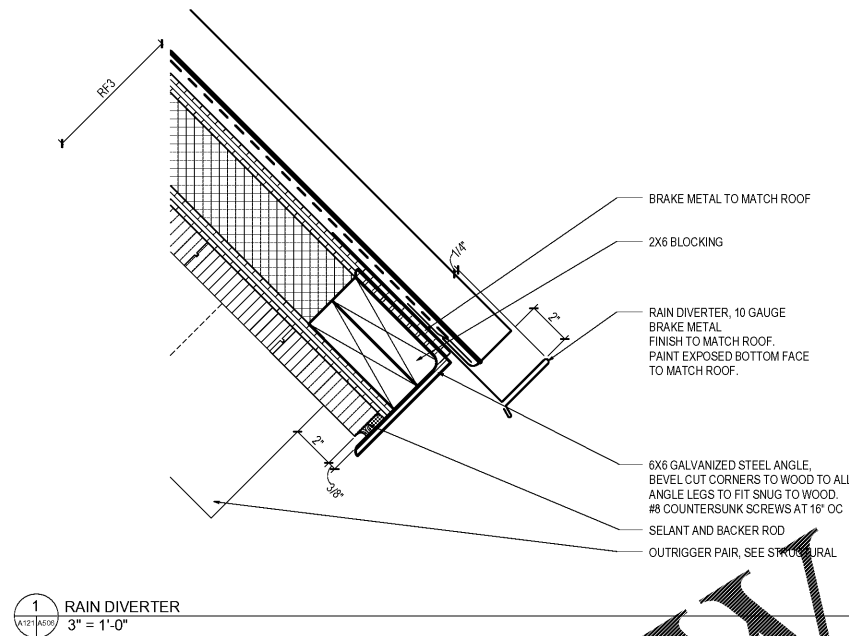


147 Wappoo Creek Drive  
Suite 400  
Charleston, SC 29412

P 843.762.2222



Revision	Date	Description

Town of James Island  
**TOWN HALL**

1122 Dills Bluff Road  
Charleston, SC 29412

Project Number:	15102
Checked By:	JGC
Drawn By:	EGB
Date:	04/03/17
Scale:	

**A506**  
**SECTION DETAILS**