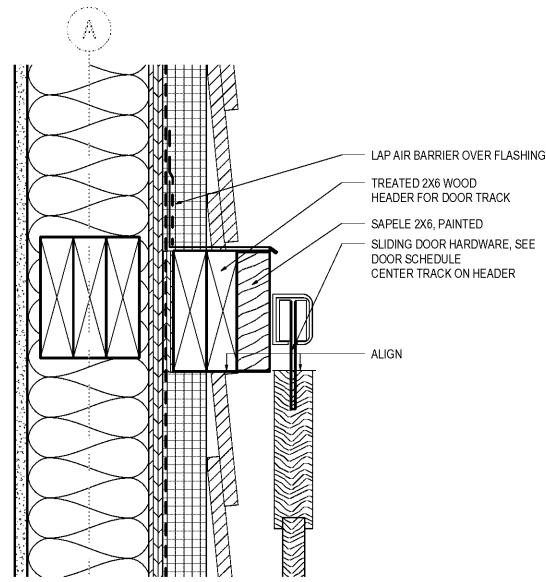
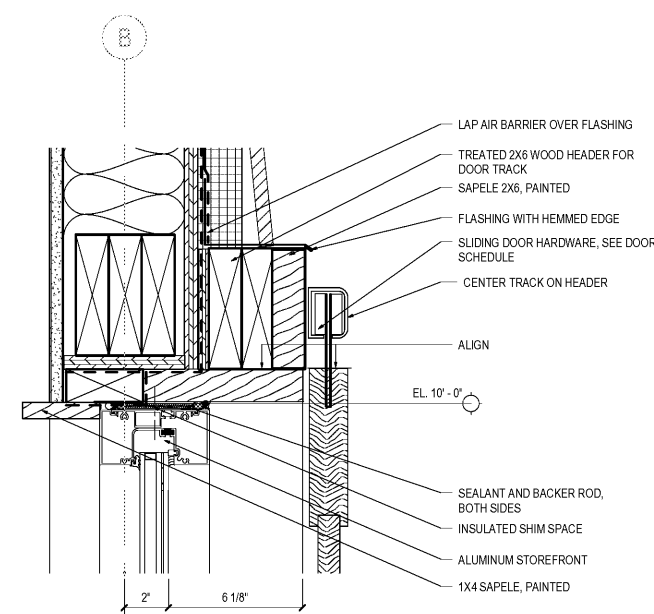


147 Wappoo Creek Drive
Suite 400
Charleston, SC 29412

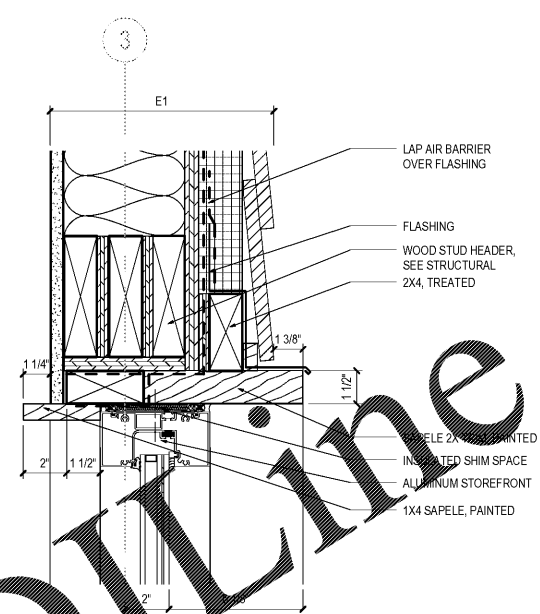
P 843.762.2222



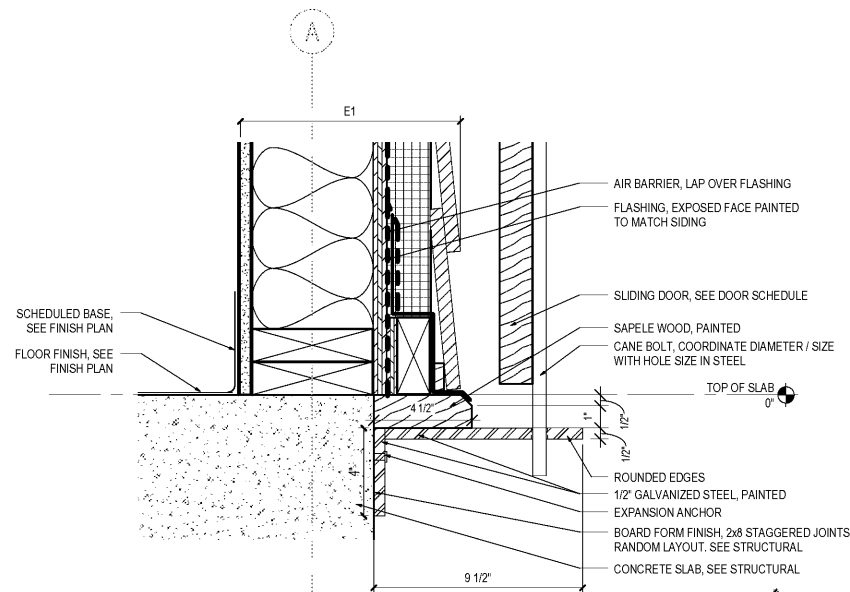
1 SHUTTER TRACK SECTION DETAIL
3" = 1'-0"



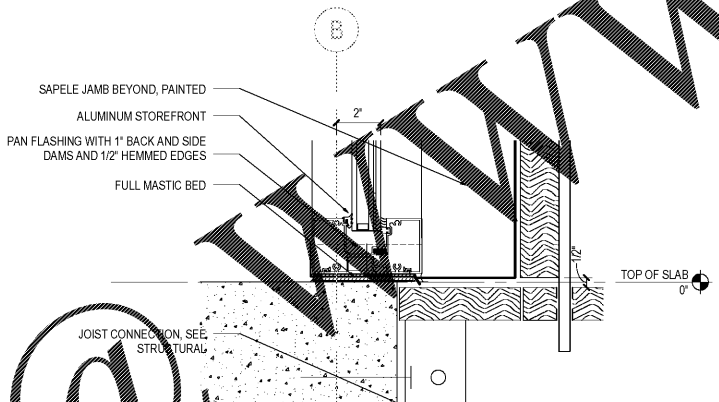
2 TYPICAL STOREFRONT HEAD AT SLIDING DOOR
3" = 1'-0"



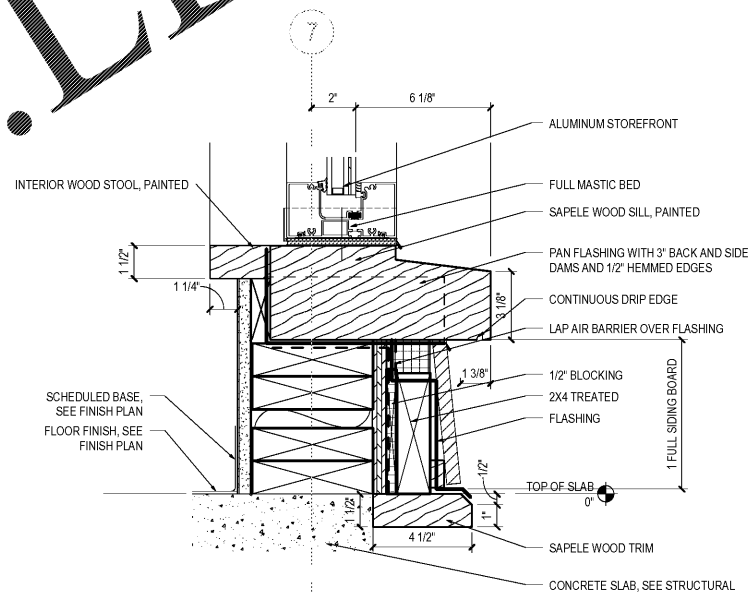
3 TYPICAL STOREFRONT HEAD DETAIL
3" = 1'-0"



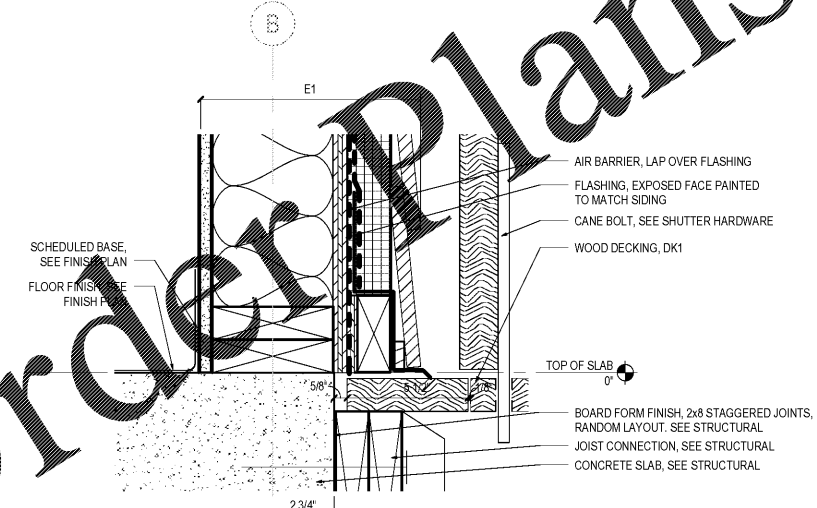
4 SF SILL DETAIL
3" = 1'-0"



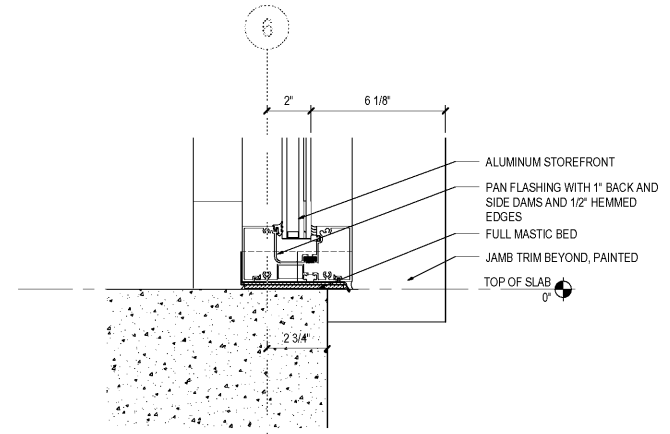
5 STOREFRONT SILL AT DECKING
3" = 1'-0"



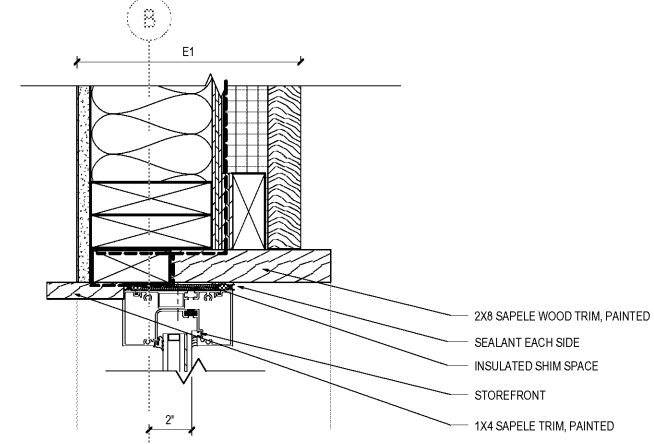
6 TYPICAL STOREFRONT SILL DETAIL
3" = 1'-0"



7 SF4 SILL DETAIL AT DECKING
3" = 1'-0"



8 STOREFRONT AT SLAB SILL
3" = 1'-0"



9 TYPICAL STOREFRONT JAMB
3" = 1'-0"

Revision	Date	Description

Town of James Island
TOWN HALL

1122 Dills Bluff Road
Charleston, SC 29412

Project Number:	15102
Checked By:	JGC
Drawn By:	EGB
Date:	04/03/17
Scale:	

A505
SECTION DETAILS