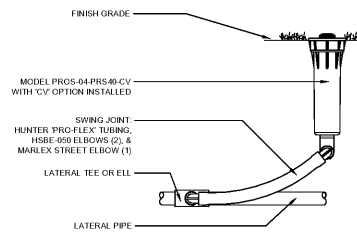
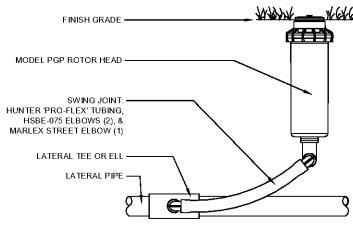


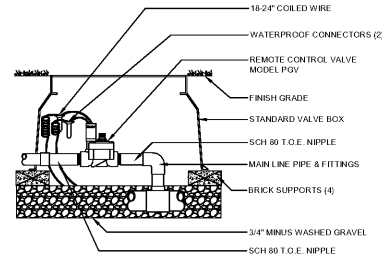
\*When using larger GPM nozzles, beware of high friction loss in swing joints.



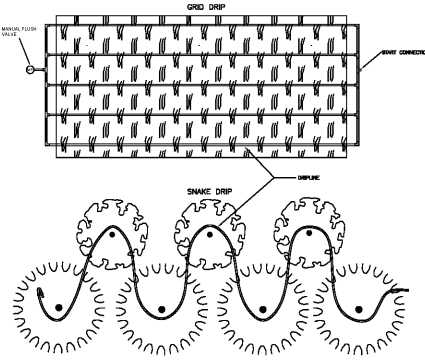
1 PROS-04-PRS40-CV MP ROTATOR SPRINKLER



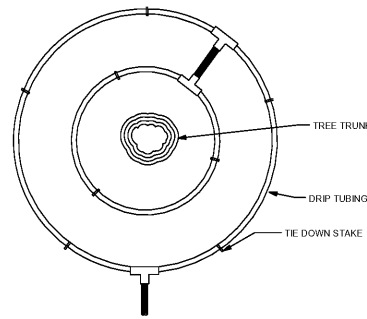
2 PGP ROTOR HEAD WITH PRO-FLEX TUBING



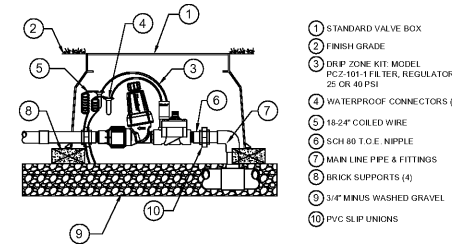
3 PGV GLOBE VALVE 1"



4 TYPICAL DRIP TUBING LAYOUT

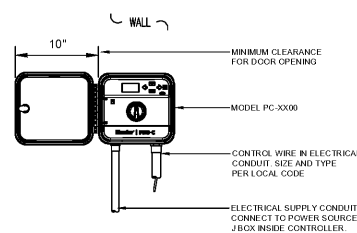


5 TYPICAL DRIP TREE RING

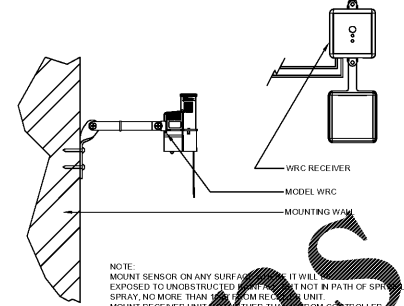


6 PCZ-101-1 DRIP ZONE KIT

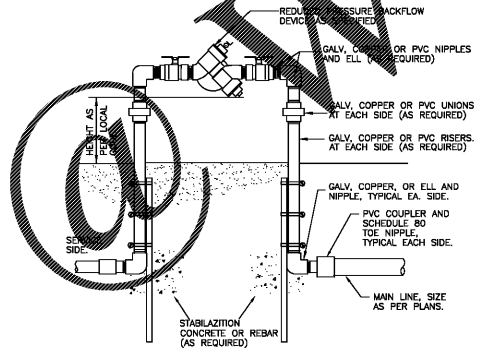
INSTALLATION MAY DIFFER PER LOCAL CODE



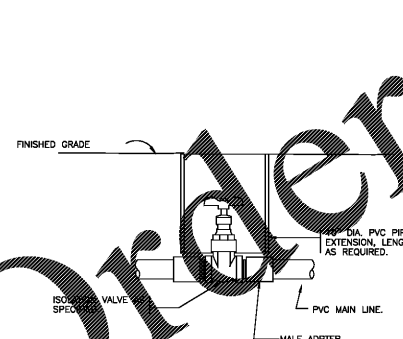
7 PRO-C CONTROLLER



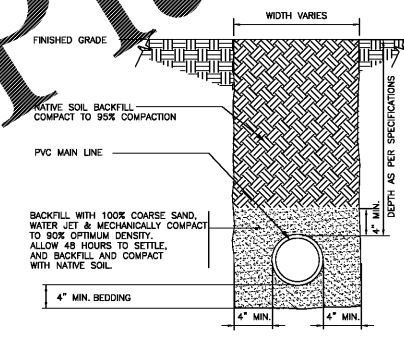
8 WIRELESS RAIN-CONTROL



9 REDUCED PRESSURE BACKFLOW DEVICE STANDARD



10 ISOLATION GATE VALVE



11 SLEEVE AT ROAD

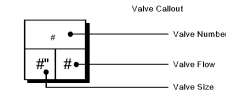
IRRIGATION SCHEDULE

SYMBOL	MANUFACTURER/MODEL
	HUNTER MP1000 PROS-04-PRS40-CV
	HUNTER MP2000 PROS-04-PRS40-CV
	HUNTER MP800SR PROS-04-PRS40-CV
	HUNTER MP CORNER PROS-04-PRS40-CV
	HUNTER MP STRIP PROS-04-PRS40-CV

SYMBOL	MANUFACTURER/MODEL
	HUNTER PGP-04-LA ROTOR
	HUNTER PGP-04 ROTOR
	HUNTER PGP-04 ROTOR

SYMBOL	MANUFACTURER/MODEL
	HUNTER PCZ-101-40 DRIP VALVE
	PIPE TRANSITION POINT
	NDS SFPC-06-18 DRIP RING
	AREA TO RECEIVE DRILINE
	NDS SFPC-06-18 DRILINE (PATTERN)
	AREA TO RECEIVE DRILINE

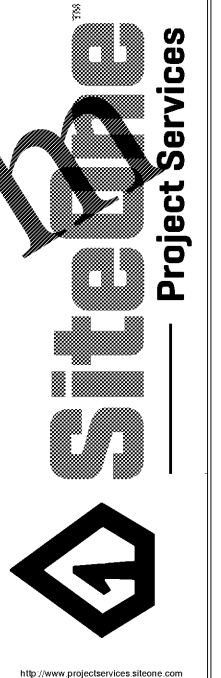
SYMBOL	MANUFACTURER/MODEL
	HUNTER BV-101 ELECTRIC VALVE
	GATE VALVE (MAINLINE SIZE)
	FEBCO 825Y RPZ 3/4"
	HUNTER PRO-C CONTROLLER
	HUNTER WR-CLIK RAIN SENSOR
	WATER METER 3/4"
	IRRIGATION LATERAL LINE: PVC CLASS 200 SDR 21
	IRRIGATION MAINLINE: PVC CLASS 200 SDR 21
	PIPE SLEEVE: PVC SCHEDULE 40



IRRIGATION NOTES

- IRRIGATION SYSTEM DESIGN BASED ON 18 GPM AT 70 PSI.
- IRRIGATION DESIGN IS FROM THE POINT OF CONNECTION (POC) ONLY. THE DESIGN IS BASED ON GALLONS PER MINUTE (GPM) AND POUNDS PER SQUARE INCH (PSI) FURNISHED BY OTHERS.
- IRRIGATION CONTRACTOR IS TO VERIFY POINT OF CONNECTION IN THE FIELD. INSTALLER IS TO CONFIRM THE MINIMUM DISCHARGE REQUIREMENTS OF THE POINT OF CONNECTION AS INDICATED ON THE LEGEND PRIOR TO INSTALLATION.
- THE PRESSURE REQUIREMENT AT THE POINT OF CONNECTION IS BASED ON NO MORE THAN 5- FEET OF ELEVATION CHANGE IN THE AREAS OF IRRIGATION.
- ALL PRODUCTS SHALL BE INSTALLED IN ACCORDANCE WITH THE MANUFACTURER'S RECOMMENDATIONS AND ACCORDING TO LOCAL BUILDING, ELECTRICAL AND PLUMBING CODES.
- IRRIGATION CONTRACTOR WILL ARRANGE INSPECTIONS REQUIRED BY LOCAL AGENCIES AND ORDINANCES DURING THE COURSE OF CONSTRUCTION AS REQUIRED. ALL WIRING TO BE PER LOCAL CODE. BACKFLOW PREVENTION PER LOCAL CODE.
- LOCATION OF IRRIGATION COMPONENTS SHOWN ON DRAWINGS IS APPROXIMATE. ACTUAL PLACEMENT MAY VARY SLIGHTLY AS REQUIRED TO ACHIEVE FULL, EVEN COVERAGE.
- ALL SPRINKLER HEADS SHALL BE INSTALLED PERPENDICULAR TO FINISH GRADES, EXCEPT AS OTHERWISE INDICATED.
- INSTALL IRRIGATION MAINS WITH A MINIMUM 18" OF COVER BASED ON FINISH GRADES. INSTALL IRRIGATION LATERAL WITH A MINIMUM 12" OF COVER BASED ON FINISH GRADES.
- PIPE LOCATIONS ARE DIAGRAMATIC. VALVES AND MAINLINE SHOWN IN PAVED AREAS ARE FOR GRAPHIC CLARITY ONLY.
- THE IRRIGATION CONTRACTOR SHALL COMPLY WITH PIPE SIZES AS INDICATED.
- ALL WIRE SPLICES OR CONNECTIONS SHALL BE MADE WITH APPROVED WATERPROOF WIRE CONNECTORS AND BE IN A VALVE OR SPLICE BOX.
- ALL CONTROL WIRING DOWNSTREAM OF THE CONTROLLER IS TO BE 14 AWG, UL APPROVED DIRECT BURY.
- THE DESIGN IS BASED ON THE SITE INFORMATION AND/OR DRAWING SUPPLIED WITH THE DESIGN CRITERIA BEING SET (AREA TO BE IRRIGATED, EQUIPMENT MANUFACTURER AND MODEL TO BE USED, WATER SOURCE INFORMATION, ELECTRICAL POWER AVAILABILITY, ETC.). SITEONE LANDSCAPE SUPPLY BEARS NO RESPONSIBILITY OR LIABILITY FOR ANY ERRORS IN DESIGN OR INSTALLATION THAT ARISE DUE TO INACCURACIES IN THE ABOVE REFERENCED INFORMATION SUPPLIED TO SITEONE LANDSCAPE SUPPLY IN RELATION TO THIS PROJECT, UNLESS OTHERWISE NOTED.

ALTERNATE # 3 - IRRIGATION



PROJECT NAME  
**JAMES IS. TOWNE HALL IRR.**  
 CHARLESTON, SC 29412

PROJECT NAME

Project Title:  
**LEGEND & DETAIL**

Project Number: 120770  
 Design Date: 02/28/2017  
 Drawn By: CLC  
 Checked By:  
 Drawing Scale: N.T.S

Revisions	Date
1	
2	
3	
4	
5	
6	

Sheet Number:  
**IR-2**  
 Sheet 2 OF 2

Order Plans