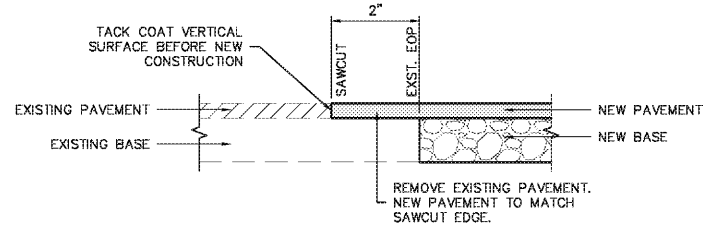
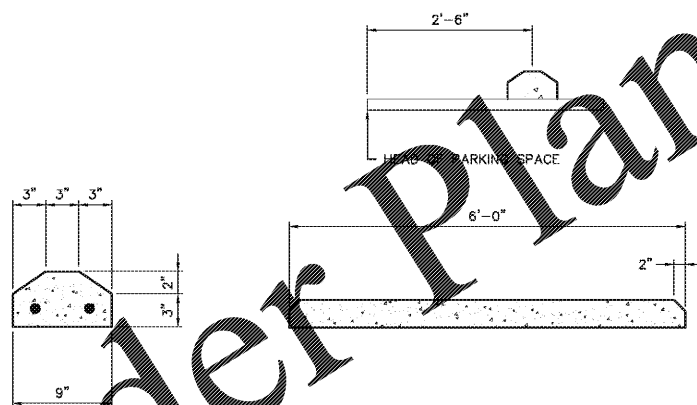


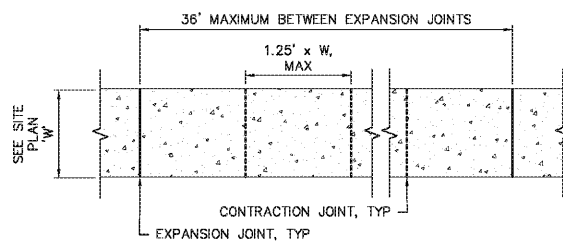
A SCDOT RIGHT-OF-WAY ASPHALTIC CONCRETE PAVEMENT SECTION



B PAVEMENT TIE-IN TO EXISTING PAVEMENT

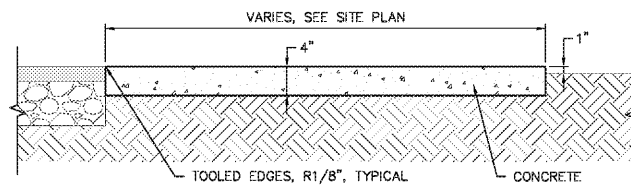


C CONCRETE WHEEL STOP DETAIL



NOTE:
PROVIDE EXPANSION JOINTS WHERE SIDEWALK ABUTS STRUCTURES OR OTHER SIDEWALKS.

PLAN



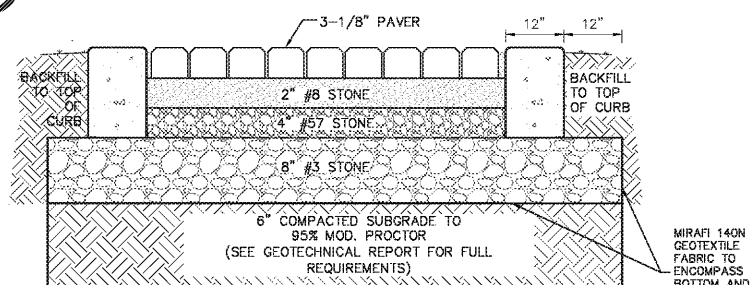
SECTION



EXPANSION JOINT

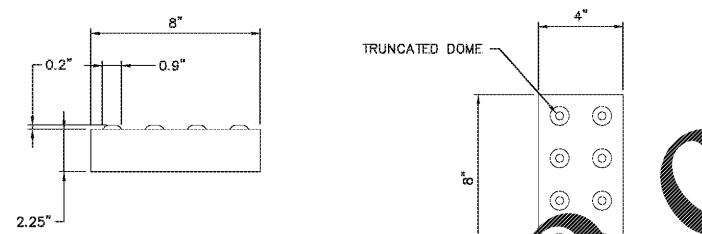
CONTRACTION JOINT

D SIDEWALK DETAIL

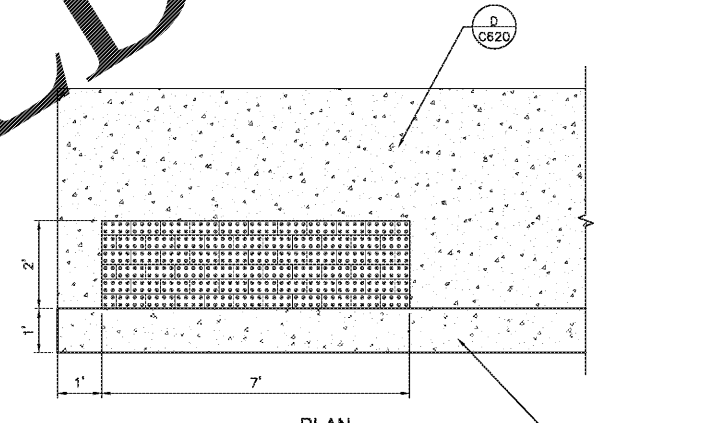


GEOTEXTILE INSTALLATION NOTES:
1. ALL GEOTEXTILE THAT IS RIPPED OR DAMAGED DURING INSTALLATION SHALL BE REPLACED.
2. ALL GEOTEXTILE FABRIC SHALL BE PLACED DURING DRY WORKING CONDITIONS.
3. CONTRACTOR TO PROTECT GEOTEXTILE FROM ALL DEBRIS AND SOIL RESIDUE AND CLEAN ANY CONTAMINANTS PRIOR TO PLACEMENT OF STONE.

E PERMEABLE PAVERS

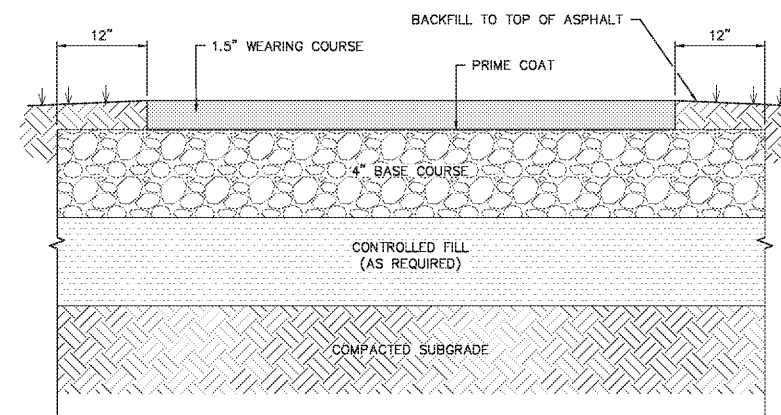


- DETECTABLE WARNING NOTES:**
1. DETECTABLE WARNING SHALL BE LOW COUNTRY PAVER "ADA - DETECTABLE WARNING SURFACE BRICK PAVER" IN HAMPTON COLOR.
 2. INSTALL PAVERS ON 1" LATEX MODIFIED SETTING BED ON 4" CONCRETE SLAB.
 3. INSTALL PAVERS IN ACCORDANCE WITH MANUFACTURER'S STANDARD INSTRUCTIONS.
 4. PLACE ALL DETECTABLE WARNING SURFACES WITH TOP OF SIDEWALK.

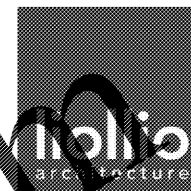


PLAN

F DETECTABLE WARNING PAVER



G ASPHALT SIDEWALK SECTION

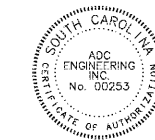


147 Wappoo Creek Drive
Suite 400
Charleston, SC 29412

P 843.762.2222



ENGINEERING SPECIALISTS
1015 BURNING TREE VILLAGE DRIVE, CHARLESTON, SC 29405
1224 WILSONS CREEK ROAD
HARTSBURG, SC 29418
843-566-0161
fax 843-566-0162
ACCEPTED FOR RECORD - 1/18/17



Revision Date	Description
04/03/2017	SCDOT & 100% QAQC

Town of James Island
TOWN HALL

Dills Bluff Road
Charleston, SC 29412

Project Number:	15102/ADC15304
Checked By:	CBC
Drawn By:	JMC
Date:	01/23/17
Scale:	NOT TO SCALE

C620
Civil Details -
Pavement