

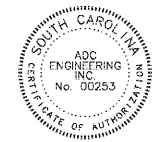
147 Wappoo Creek Drive  
Suite 400  
Charleston, SC 29412

P 843.762.2222



ENGINEERING SPECIALISTS

1224 HENNINGSTADT ROAD  
HARRISBURG, SC 29610  
843-566-0161  
fax 843-566-0162  
ACCEPTED FOR RECORD - 1/18/16



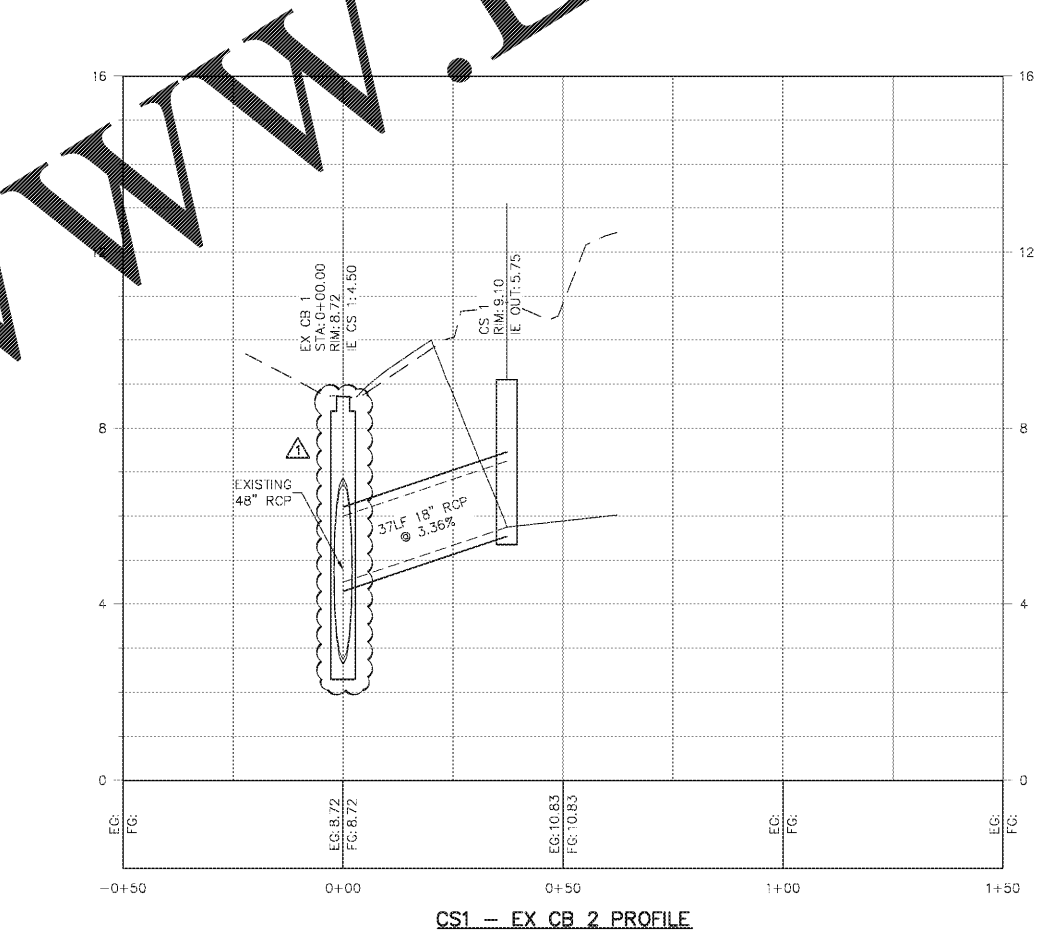
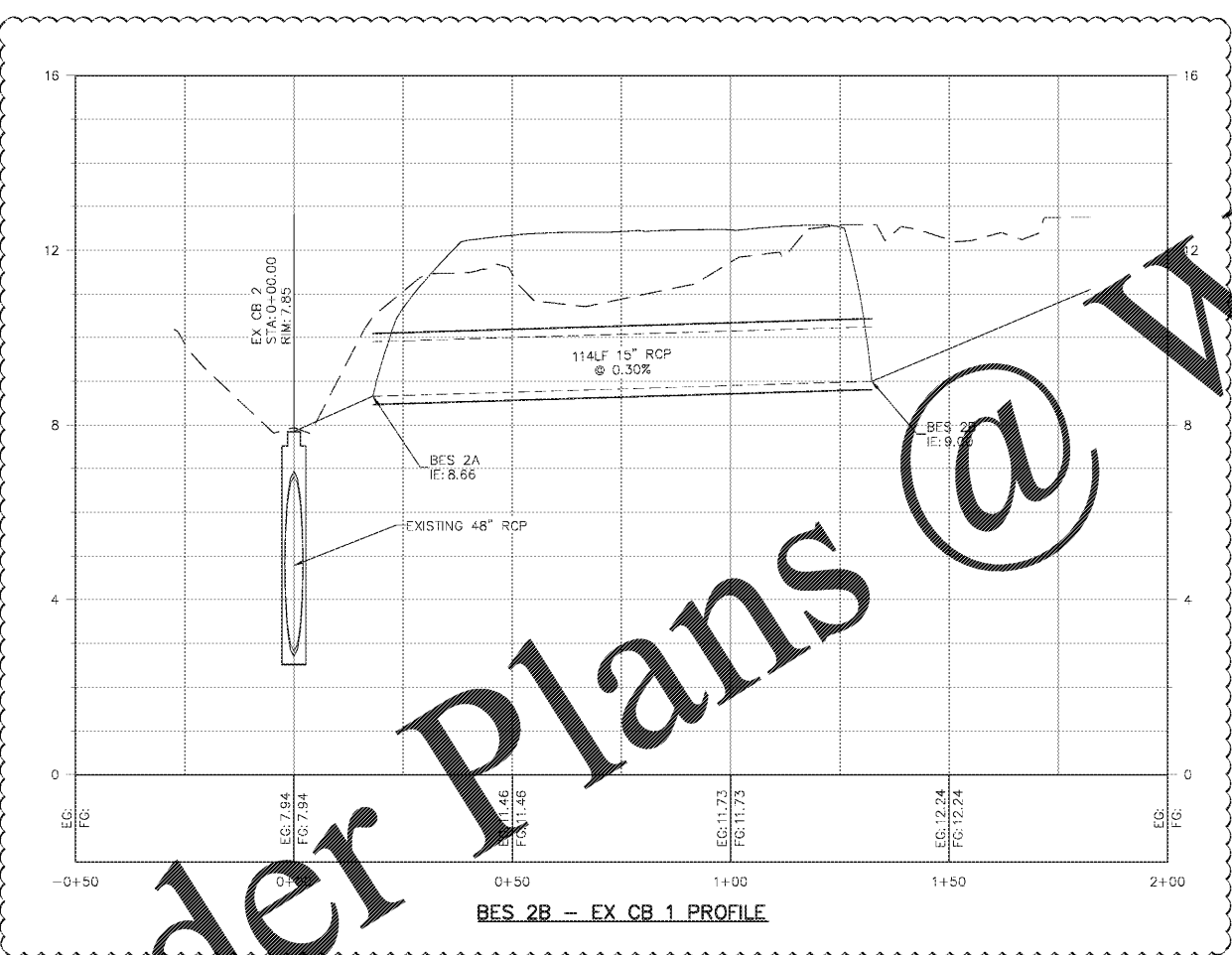
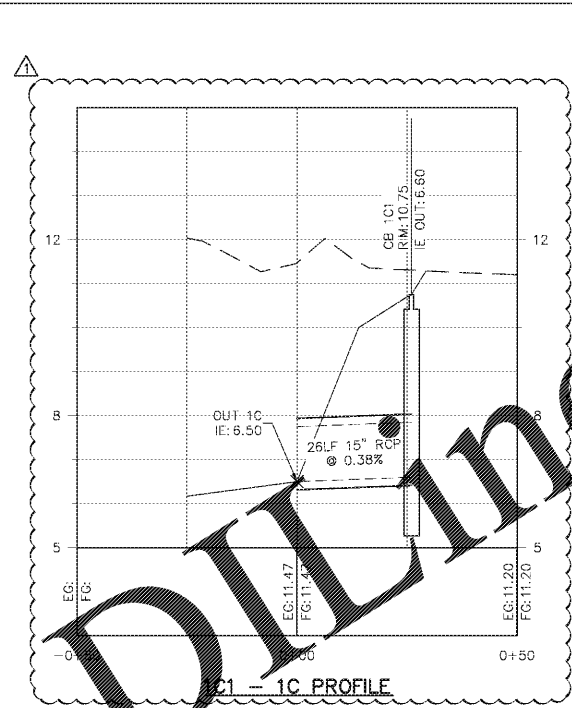
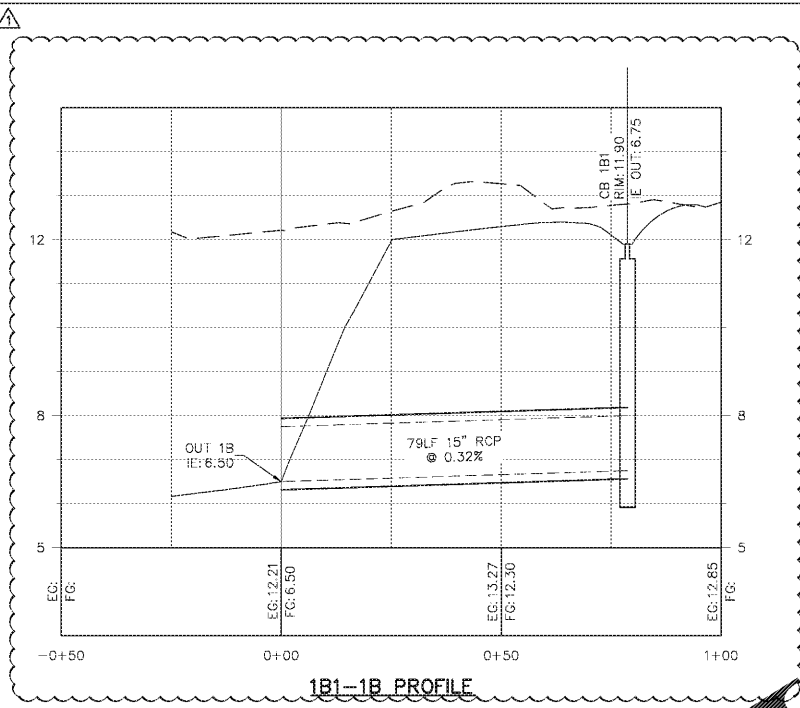
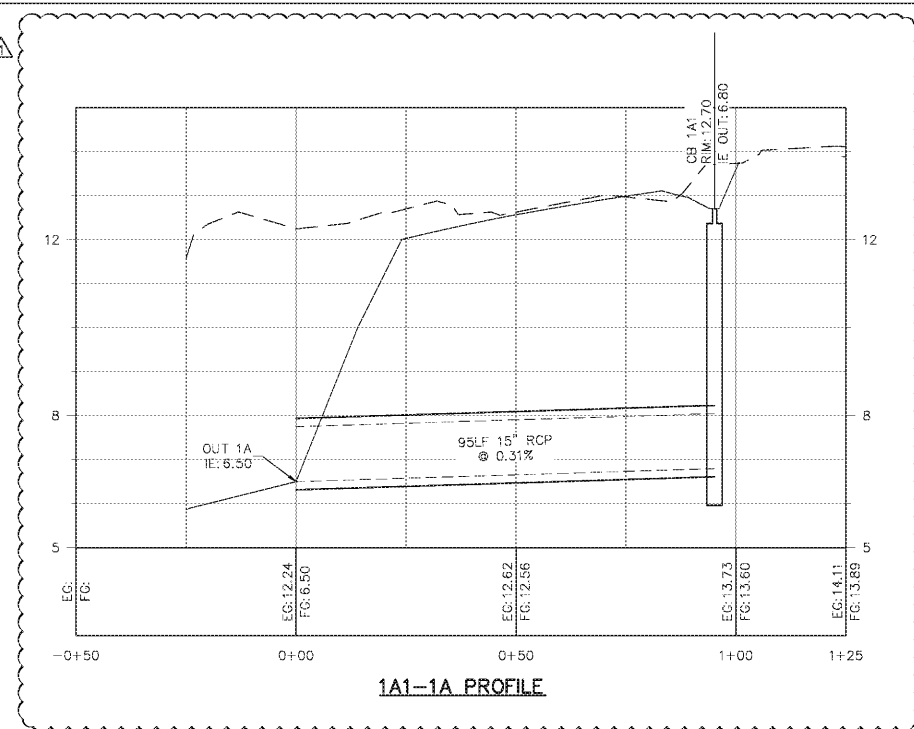
Revision Date	Description
04/03/2017	SCDOT & 100% QAQC

Town of James Island  
**TOWN HALL**

Dills Bluff Road  
Charleston, SC 29412

Project Number:	15102/ADC15304
Checked By:	CBC
Drawn By:	JMC
Date:	01/23/17
Scale:	AS SHOWN

**C310**  
Storm Drainage  
Profiles



LEGEND	
EXISTING GRADE	---
FINISHED GRADE	---

