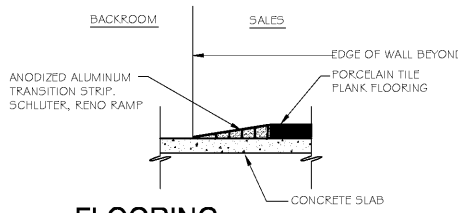
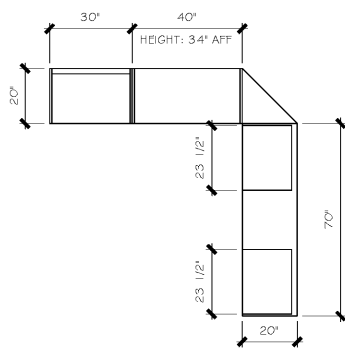


STRUCTURAL DESIGN LOADS FOR SHELVES:
 50 LBS. / SHELF
 5 SHELVES / UNIT = 250 LBS.
 4 SIMPSON #10D37300H ANCHORS / UNIT (PULLOUT STRENGTH FOR SEISMIC LOADS IS 1295 LBS. / ANCHOR x 4 = 4940 LBS. / UNIT)

A8 SHELVING SUPPORT DETAILS
 SCALE: N.T.S.



A6 FLOORING TRANSITION DETAIL
 SCALE: NONE



D6 CASHWRAP DETAIL
 SCALE: 3/8\"/>

DOOR SCHEDULE

MARK	LOCATION	SIZE	FRAME	DOOR	HARDWARE SET	REMARKS
⊙	ENTRANCE	EXIST	-	GLASS	1	
⊙	TOILET ROOM	EXIST	HM	HM	2	PRIME AND PAINT PT-3, HM DOOR AND FRAME
⊙	BACKDOOR	EXIST	HM	HM	3	PRIME AND PAINT PT-3, HM DOOR AND FRAME

HARDWARE SET #1
 EXISTING TO REMAIN

HARDWARE SET #2
 RE-USE EXISTING LOCKSET, LEVERS, THUMB-LATCH AND HINGES. GC TO PROVIDE:
 (2) COMMERCIAL KICK PLATE- IVES 6\"/>

HARDWARE SET #3
 RE-USE EXISTING LOCKSET, LEVERS, THUMB-LATCH AND HINGES. GC TO PROVIDE (IF NOT EXISTING):
 (2) COMMERCIAL KICK PLATE- IVES 6\"/>

COORDINATE HARDWARE W/
 ROBERT WAYNE PROJECT MANAGER.

FIXTURE LEGEND

TAG	FIXTURE	TAG	FIXTURE
A	(POS) CASHWRAP - (3 SECTIONS)	F	18\"/>
B	MERCHANDISE DISPLAY (SIZES VARY)	G	24\"/>
C	SLATWALL PANEL	H	24\"/>
D	12\"/>		
E	12\"/>		

CONSTRUCTION NOTES

- G.C. SHALL PATCH AND REPAIR CONCRETE SLAB AS REQUIRED. FLOOR SHALL BE SMOOTH AND LEVEL AS REQUIRED TO RECEIVE FINISH.
- G.C. SHALL INSTALL TYPE "ABC" ALL-PURPOSE CHEMICAL ANCHORS IN 5/8\"/>
- ALL WOOD SHALL BE FIRE RETARDANT TREATED.

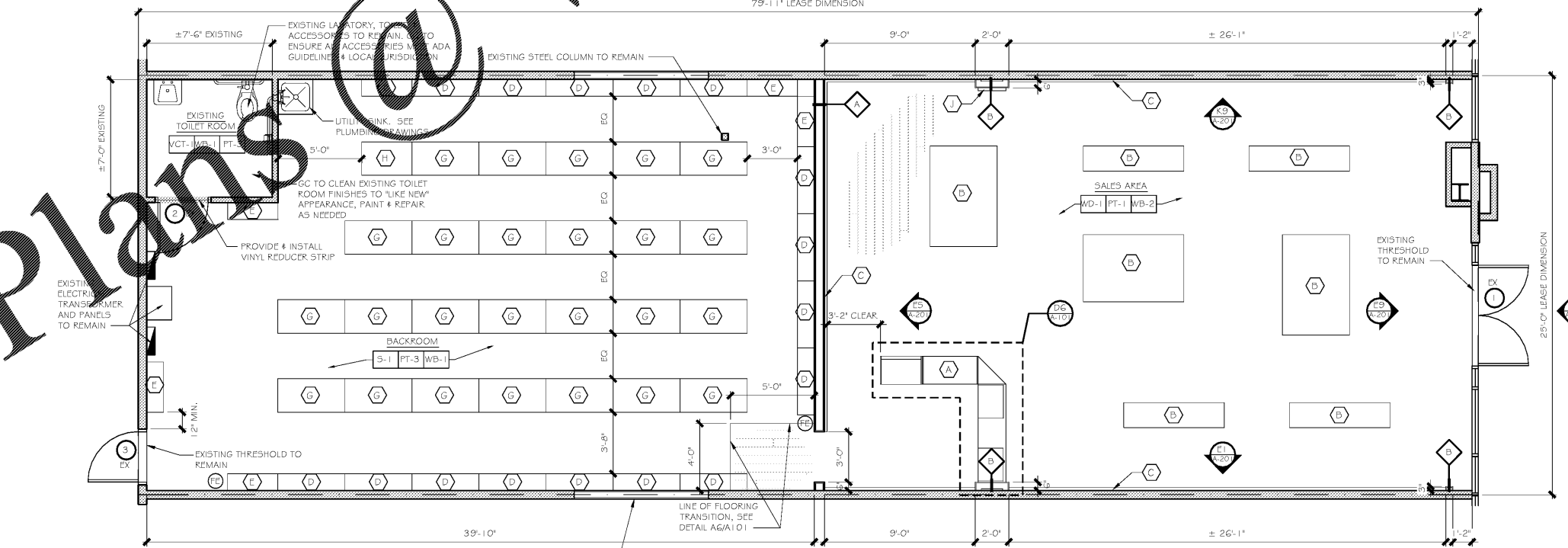
INTERIOR FINISH SCHEDULE

TAG	MATERIAL	MANUFACTURER	DESCRIPTION / SERIES / COLOR	LOCATION	REMARKS
PT-1	PAINT	SHERWIN WILLIAMS	COLOR: #SW7019 GAUNLET GRAY SEMI GLOSS	SALES AREA WALLS, GYPSUM BOARD CEILING, CEILING TRUSSES, ROOF DECK & ALL SUSPENDED UTILITIES & HVAC	PREPARE SURFACES PER MANUFACTURER'S RECOMMENDATIONS
PT-2	PAINT	SHERWIN WILLIAMS	COLOR: #SW6991 BLACK MAGIC GLOSS	SLATWALL TRIM, WOOD BASE BOARD	THICKNESS TBD- COORDINATE W/ ROBERT WAYNE, PM
PT-3	PAINT	SHERWIN WILLIAMS	SEMI GLOSS EXTRA WHITE #7006	BACK ROOM WALLS, CEILING TRUSSES, ROOF DECK, PLYWOOD BACKING ON METAL SHELVES, ALL SUSPENDED UTILITIES & HVAC	
S-1	FLOOR SEALANT	SHERWIN WILLIAMS OR APPROVED EQUAL	CONCRETE AND DRIVEWAY SEALER CLEAR SALES # 6403-46695 PRODUCT# B44V02001		
WB-1	WALL BASE	ARMSTRONG OR APPROVED EQUAL	6\"/>		
WB-2	WALL BASE		1\"/>		
VCT-1	VINYL TILE	ARMSTRONG	STANDARD EXCELON 51899 FORTRESS WHITE	TOILET ROOM	PROVIDE WATERPROOF MEMBRANE BELOW FINISH AND RUN 6\"/>
WD-1	PORCELAIN TILE	DAL TILE	YACHT CLUB - 6\"/>		
SW-1	SLATWALL	MEGAWALL	HIDDEN CHANNEL #AHF 15-96 COLOR: #112	SALES FLOOR	
GR-1	FLOOR GROUT	TEC	ColorTEFX #940017	USE WITH WD-1	EPOXY SPECIAL EFFECTS GROUT

NOTE:
 1. NOT ALL FINISHES MAY BE USED
 2. REFER TO SHIT. A-301 FOR STOREFRONT FINISHES.

WALL TYPES

- INTERIOR PARTITIONS**
 16\"/>
- TOP OF WALL ATTACHMENT:**
 IF BEAMS OR JOISTS RUN PERPENDICULAR TO NEW WALL:
 - ATTACH P3000 UNISTRUT TO TOP FLANGE OF BEAMS USING P2785 CLAMPS (PLACE UNISTRUT OVER CENTERLINE OF PROPOSED WALL)
 - ATTACH CONTINUOUS 5\"/>
- TOP OF WALL ATTACHMENT:**
 IF BEAMS OR JOISTS RUN PARALLEL TO NEW WALL:
 - ATTACH P3000 UNISTRUT TO TOP FLANGE OF TWO CLOSEST BEAMS PARALLEL TO NEW WALL USING P2785 CLAMPS.
 - SPACE UNISTRUT SECTIONS AT 2'-0\"/>
- PILASTER**
 5/8\"/>



D1 FLOOR PLAN
 SCALE: 1/4\"/>

GC INFILL EXISTING 8\"/>

ROBERT WAYNE
 ARCHITECT

1241
 Crowell Park Drive, Suite 113
 Well Business Park at BWI
 Bowie, Maryland 21041

Phone: 410.863.1302
 Fax: 410.863.1308

Jeffrey D. Mahler
 architect

940 Barrett Ave.
 Annapolis, MD 21402
 410-863-1302

Jeffrey D. Mahler, R.A., AIA
 Practicing as an individual

ROBERT WAYNE
 ARCHITECT

ROBERT WAYNE FOOTWEAR SHOWROOM
 DIVISION OF R. W. FOOTWEAR, INC.
 585 EAST WASHINGTON BLVD.
 CONROCK, CA 94609

ROBERT WAYNE
 NORFOLK PREMIUM OUTLETS
 NORFOLK, VA

REV #	ISSUE / DESCRIPTION	DATE
	CLIENT REVIEW	01/13/17
	CLIENT / LL REVIEW	01/18/17

SHEET TITLE:
CONSTRUCTION, FLOOR PLAN, FIXTURE PLAN, & SCHEDULES

DRAWING DATE:
 DRAWN BY: ARS | REVIEWED BY: JDM
 PROJECT # 16.316
 SHEET #

A-101

FILE NAME:
 16.316 - A-101.dwg